



N Male Low PIM Connector Solder Attachment for PE-SR402FL, PE-SR402FLJ, RG402, PE-SR402AL

**RF Connectors**  
**Technical Data Sheet**

**PE45819**

**Configuration**

- N Male Connector
- 50 Ohms
- Straight Body Geometry
- Connector Interface Types: PE-SR402FL, PE-SR-402FLJ, RG402, PE-SR402AL
- Low PIM Design

**Features**

- Max. Operating Frequency 6 GHz
- Excellent VSWR of 1.15:1
- PIM levels lower than -155 dBc
- Silver Plated Brass Contact

**Applications**

- General Purpose Test
- Custom Cable Assemblies
- Wireless Communications
- Low PIM Applications

**Description**

Pasternack's PE45819 type N male connector with solder/solder attachment for PE-SR402FL, PE-SR402FLJ, RG402 and PE-SR402AL is part of our full line of RF components available for same-day shipping. Our type N male connector operates up to a maximum frequency of 6 GHz and offers excellent VSWR of 1.15:1. The type N male connector also has low passive intermodulation of -155 dBc.

Our type N male connector PE45819 datasheet specifications and drawing with dimensions are shown below in this PDF. Pasternack's broad catalog of RF, microwave and millimeter wave connectors allows designers to configure and customize their signal connections however they like. Whether the need is to provide an I/O for a board design, or simply create a custom cable assembly configuration, Pasternack has the right connector for the job. Pasternack can also expertly build your custom cable assemblies for you and ship same-day.

**Electrical Specifications**

| Description                          | Minimum | Typical | Maximum | Units |
|--------------------------------------|---------|---------|---------|-------|
| Frequency Range                      | DC      |         | 6       | GHz   |
| VSWR                                 |         |         | 1.15:1  |       |
| Passive Intermodulation              |         |         | -155    | dBc   |
| Dielectric Withstanding Voltage (AC) |         |         | 750     | Vrms  |

**Mechanical Specifications**

| Size       |                     |
|------------|---------------------|
| Length     | 0.88 in [22.35 mm]  |
| Width/Dia. | 0.85 in [21.59 mm]  |
| Height     | 0.85 in [21.59 mm]  |
| Weight     | 0.104 lbs [47.17 g] |

Click the following link (or enter part number in "SEARCH" on website) to obtain additional part information including price, inventory and certifications: [N Male Low PIM Connector Solder Attachment for PE-SR402FL, PE-SR402FLJ, RG402, PE-SR402AL PE45819](#)



N Male Low PIM Connector Solder Attachment for PE-SR402FL, PE-SR402FLJ, RG402, PE-SR402AL

## RF Connectors Technical Data Sheet

**PE45819**

### Material Specifications

| Description  | Material | Plating   |
|--------------|----------|-----------|
| Contact      | Brass    | Silver    |
| Insulation   | PTFE     |           |
| Body         | Brass    | Tri-Metal |
| Coupling Nut | Brass    | Tri-Metal |

### Environmental Specifications

#### Temperature

Operating Range -40 to +155 deg C

**Compliance Certifications** (see [product page](#) for current document)

### Plotted and Other Data

Notes:

N Male Low PIM Connector Solder Attachment for PE-SR402FL, PE-SR402FLJ, RG402, PE-SR402AL from Pasternack Enterprises has same day shipment for domestic and International orders. Our RF, microwave and millimeter wave products maintain a 99.4% availability and are part of the broadest selection in the industry.

Click the following link (or enter part number in "SEARCH" on website) to obtain additional part information including price, inventory and certifications: [N Male Low PIM Connector Solder Attachment for PE-SR402FL, PE-SR402FLJ, RG402, PE-SR402AL PE45819](#)

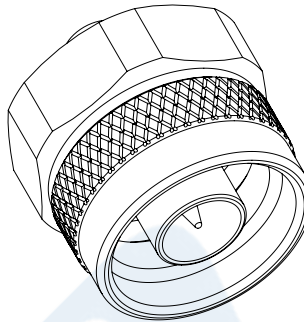
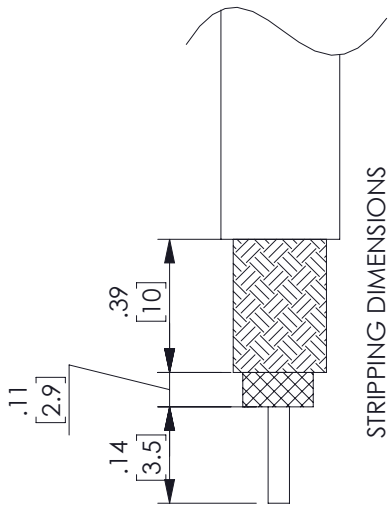
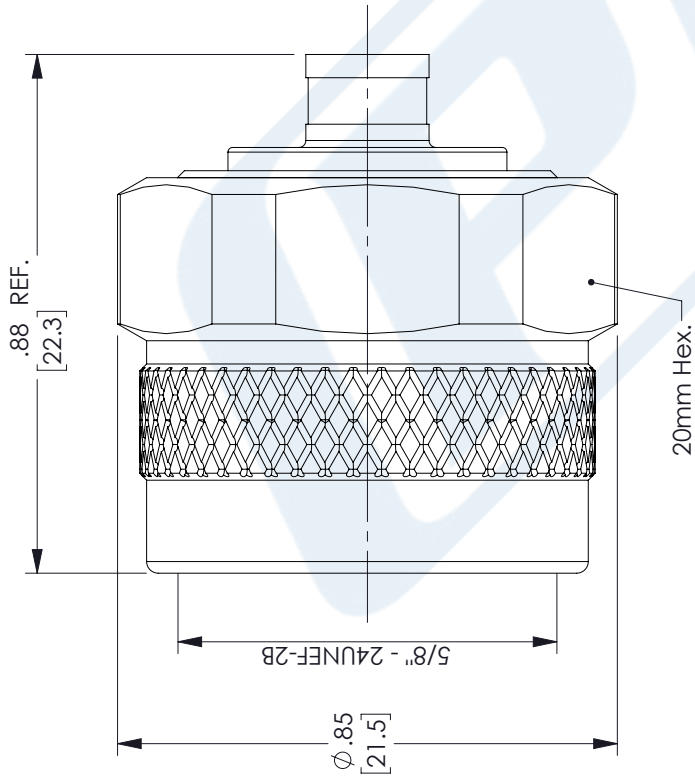
URL: <https://www.pasternack.com/n-male-pe-sr402fl-pe-sr402flj-rg402-pe-sr402al-connector-pe45819-p.aspx>

The information contained in this document is accurate to the best of our knowledge and representative of the part described herein. It may be necessary to make modifications to the part and/or the documentation of the part, in order to implement improvements. Pasternack reserves the right to make such changes as required. Unless otherwise stated, all specifications are nominal. Pasternack does not make any representation or warranty regarding the suitability of the part described herein for any particular purpose, and Pasternack does not assume any liability arising out of the use of any part or documentation.

# PE45819 CAD Drawing

N Male Low PIM Connector Solder Attachment for PE-SR402FL, PE-SR402FLJ, RG402, PE-SR402AL

| REVISIONS |                 |           |
|-----------|-----------------|-----------|
| REV.      | DESCRIPTION     | DATE      |
| A         | INITIAL RELEASE | 8/17/2022 |
|           |                 | AGANWANI  |



UNLESS OTHERWISE SPECIFIED LEADING DIMENSIONS ARE INCHES DIMENSIONS IN [ ] ARE MILLIMETERS

TOLERANCES:

|              |        |             |
|--------------|--------|-------------|
| .X = ±.2     | [5.08] | FRACTIONS   |
| .XX = ±.02   | [.51]  | ± 1/32      |
| .XXX = ±.005 | [.13]  | ANGLES ± 1° |

CABLE LENGTH (L) TOLERANCES:

|        |        |                            |
|--------|--------|----------------------------|
| L ≤ 12 | [305]  | = +1 [25] / -0             |
| 12     | [305]  | < L ≤ 60 [1524]            |
|        |        | = +2 [51] / -0             |
| 60     | [1524] | < L ≤ 120 [3048]           |
|        |        | = +4 [102] / -0            |
| 120    | [3048] | < L ≤ 300 [7620]           |
|        |        | = +6 [152] / -0            |
|        |        | 300 [7620] < L = +5%L / -0 |

ALL DIMENSIONS SHOWN ARE FOR REFERENCE ONLY.

**PE PASTERNAK**  
an INFINITI<sup>®</sup> brand

Pasternack Enterprises, Inc.  
P. O. Box 16759, Irvine, CA 92623.  
Phone: 1.949.261.1920 | 1.866.727.8376  
Fax: 1.949.261.7451  
Website: www.pasternack.com  
E-mail: sales@pasternack.com

ITEM NO. PE45819

THIRD-ANGLE PROJECTION

THE INFORMATION AND DESIGN IN THIS DOCUMENT IS THE PROPERTY OF PASTERNAK CORPORATION ALL RIGHTS RESERVED.

SHEET 1 OF 1

SCALE N/A

REV A