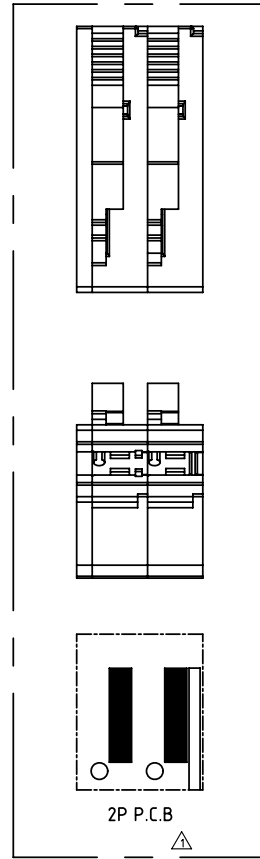
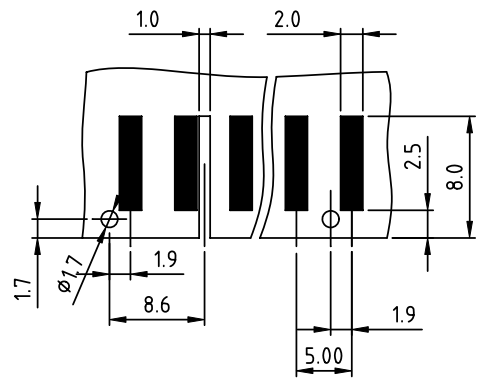
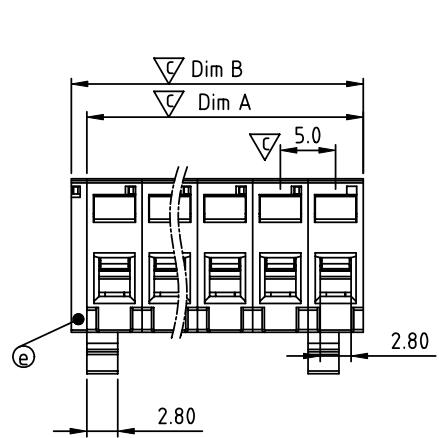


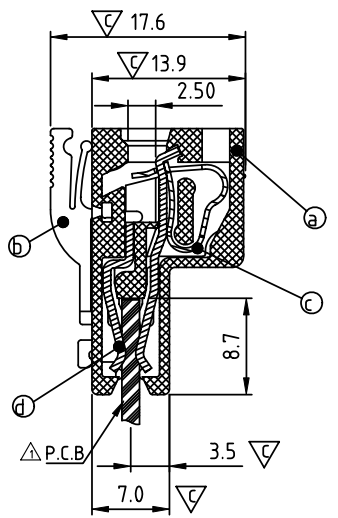
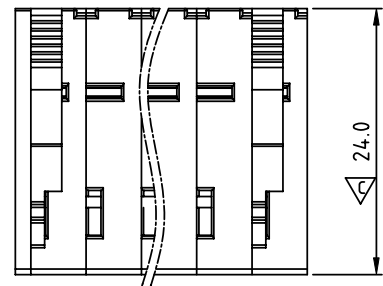
SIGN	DATE	DESCRIPTION	APPROVER
△	10/17/13	Add is cULus ////add the view	Da cheng
<b>THIS IS CAD DRAWING, DO NOT REVISE MANUALLY!!!</b>			



**Material**

- Item (a) Terminal (Body): Thermoplastic (UL94V-0)
- Item (b) Terminal (Lever): Thermoplastic (UL94V-0)
- Item (c) Spring clamp : Stainless Steel
- Item (d) Female Contact : PhBz(CuSn), Tin plated
- Item (e) Terminal (Cover): Thermoplastic (UL94V-0)

- △ Electrical cULus
- Voltage rating: 300VAC
  - Current rating: 10A
  - Solid wire(AWG): 14-26
  - Stranded wire(AWG): 14-26
  - Wire strip length: 7-8mm
  - Withstanding Voltage: 1.6KV
  - Size of the PCB: 1.6±0.2mm
  - Operating temperature: -40°C to +115°C
- △ Safety Approval:
- △ Critical dimension: ∇



ND xx 70 x 0 xxxx G

- △ No. of poles: 02 2 poles, 03 3 poles, ... , 24 24 poles
- △ Color: 0 Black (RAL9005), 2 Red (RAL3001/D), 3 Orange(RAL2011/P), 4 Yellow(RAL1018/A), 5 Green(RAL6018/T), 6 Blue (RAL5015/A), 8 Grey(RAL7004/P), 9 White(RAL1102), C Multiple colors
- △ RoHs compliant (lead<4%) In copper Alloy
- 0000:"@Logo (Standard)
- 000A:"ANYTEK"Logo
- Any special item by customer request, please contact sales department.

△ DIMENSION

Dim A	NX5.00
Dim B	NX5.00+1.40

N=Number of poles

Poles	Tolerance
2p-6p	±0.15
7p-12p	±0.20
13p-18p	±0.30
19p-24p	±0.35

<b>ANYTEK</b>		<b>CUSTOMER COPY</b>	
ALL RIGHTS RESERVED. REPRODUCTION OR ISSUE TO THRD PARTIES IN ANY FORM WHATEVER IS NOT PERMITTED WITHOUT WRITTEN AUTHORITY FROM THE PROPRIETOR. PROPERTY OF ANYTEK TECHNOLOGY CO., LTD			
TITLE	ND 5.0 Series		
PART NO.	NDxx70x0xxxxG	DWG NO.	8ND0301
APPROVED	CHECKED	DESIGNED	DRAWN
		Dacheng 2013.10.21	Dacheng 2013.10.21
		CUST NO.	Tolerance
			X. ±0.5
			X.X ±0.3
			X.XX ±0.1
		SHEET: 01/01	X° ±1°
		UNIT: mm	
		SCALE: NONE	
		REV.: C	

