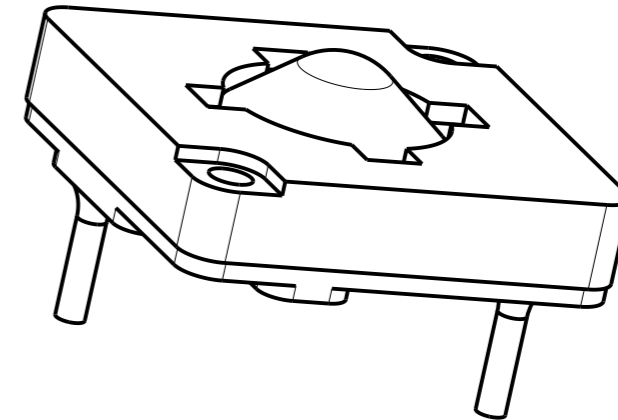


REV.	N° ECR	NATURE OF MODIFICATION	DATE	VISA
A	ECR-11328	MD G SG LFS ; MD 40 S SG LFS ; MD 40 G SG LFS MD 40 S LFS and MD G SG H 3,5 LFS removed on the table and dimensions updated	17/03/2017	L_B
B		Correction reference on table CU → Y . MD G SG LFS added	02/05/2017	L_B



PART NUMBER	DESIGNATION	PLATING	TRAVEL (mm)	FORCE (N)
Y65A00021FP LFS	MD S LFS	Ag	0,9 ± 0,3	2,4 ± 0,6
Y65A00023FP LFS	MD G LFS	Au	0,9 ± 0,3	2,4 ± 0,6
Y65A00033FP LFS	MD40 G LFS ▲●	Au	0,9 ± 0,3	2,4 ± 0,6
Y65A00221FP LFS	MD S SG LFS	Ag	0,9 ± 0,3	2,4 ± 0,6
● Y65A00223FP LFS	MD G SG LFS	Au	0,9 ± 0,3	2,4 ± 0,6

NOTE: ▲ Special design for specific application (Type MD40) ●
- 2 - Modules delivered by tray of 100 pieces.

SYSTEM CONFIDENTIAL

Material: .	Traitement: .	Protection: .	Volume: .
UNLESS OTHERWISE : - DIMENSIONS GIVEN BEFORE PROTECTION - BURRS AND SHARP EDGES DELETED		ANGULAR TOLERANCE ± 1 ° LINEAR TOLERANCE ± 0,1 SURFACE FINISH Ra	CRITICAL DIMENSIONS SPC DIMENSIONS
CREATE BY MILLEREAU_S	DATE 28-06-2006		MODIFIED ON THIS REV. ●
CHECKED BY .	DATE .	MODIFICATION see revision table on the first sheet	
APPROVED BY Kubat, Laurent	DATE 16/05/17	FILENAME CU65M10003FP	STATE OFFICIEL
		DRAWING DESCRIPTION	
		MODULE DISC LFS	
BP 359 - 39105 Dole - FRANCE -		SCALE 5,000	DRAWING NUMBER
		SIZE A3	SHEET 1 / 1
		REV B	
		CU65M10003FP	