

CTB-Series

Thermal Circuit Breaker

[PRODUCT WEBPAGE](#)

request sample, configure part



Rocker Actuated

Single pole, rocker actuated thermal circuit breaker designed to protect equipment. This compact breaker offers simple snap-in mounting into a 16mm round double D panel cutout and accommodates panels ranging in thickness from .032 inches up to .110 inches. The CTB-Series is rated from 3-16 amps, 125VAC, 250VAC, 125/250VAC, 50VDC with 1,000 AIC.

1	3-16	125-250	50
Pole	Amps	VAC Max	VDC Max

Typical Applications

- Household Appliances
- On/Off-Highway
- Audio-Visual Equipment
- Exercise Equipment
- Power Strips & Supplies
- Marine
- Medical Equipment

Ordering Scheme

Sample Part Number CTB - B - B - 05 - B

Selection 1 2 3 4 5

1. SERIES

CTB

2. BEZEL COLOR ¹

B Black

3. ROCKER COLOR ¹

B Black

4. RATING

03	3 amps	08	8 amps	14	14 amps
04	4 amps	09	9 amps	15	15 amps
05	5 amps	10	10 amps	16	16 amps
06	6 amps	12	12 amps		
07	7 amps	13	13 amps		

5. PANEL THICKNESS

blank fits standard thickness of .032 - .062
B fits .070 - .110 panel thickness

Notes:

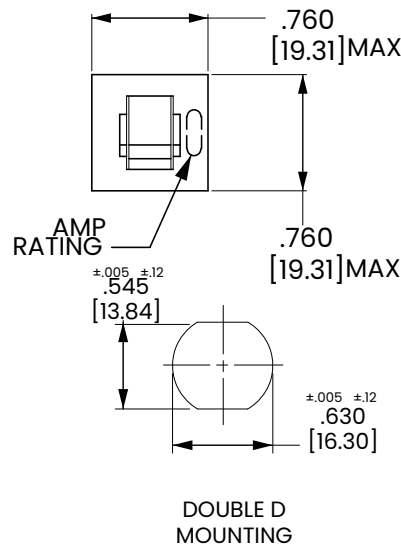
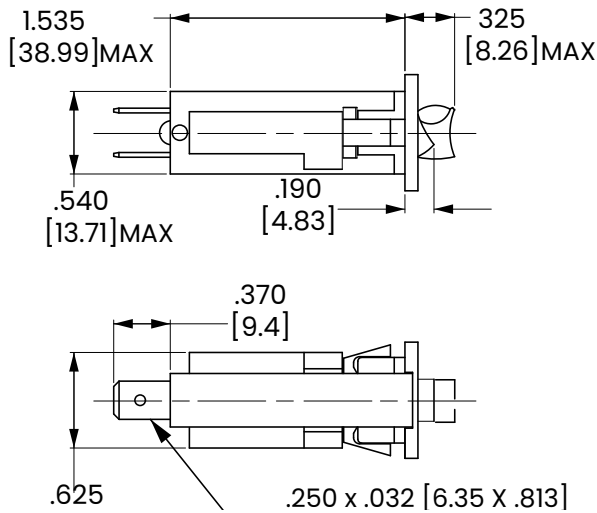
1. Additional colors available. Consult factory.

[Configure Complete Part Number >](#)

[Browse Standard Parts >](#)

Dimensional Specs

inches [millimeters]

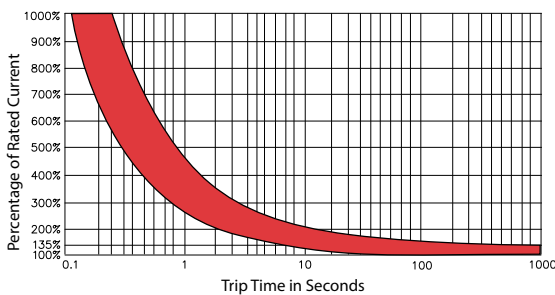


RECOMMENDED PANEL THICKNESS:
 0.032 - 0.062 [0.81-1.57]

Notes:

Tolerance $\pm .005$ [.127] unless otherwise specified. Breaker must hold 100% of rated current and must trip at 150% and above, within the time limits shown in curve. Trip times specified at 25° ambient with no preloading.

Time Delay



Overload	Trip Time
100%	No Trip
135%	Trip in 1 hr
200%	2.2 ~ 15 sec.
300%	0.9 ~ 3.4 sec.
400%	0.57 ~ 1.6 sec.
500%	0.38 ~ 0.94 sec.
600%	0.27 ~ 0.76 sec.

Correction Factor ¹	
0 °C	x 0.85
10 °C	x 0.90
15 °C	x 0.925
18 °C	x 0.952
25 °C	x 1.00
32 °C	x 1.05
40 °C	x 1.15
50 °C	x 1.39
60 °C	x 1.49

Notes:

1. To adjust the breaker rating for ambient temperature, multiply the breaker rating by the factor. ex: 5A rating x .850 = 4.25A. Select 4A rating.

Authorized Sales Representatives and Distributors

Click on a region of the map below to find your local representatives and distributors or visit www.carlingtech.com/findarep.



About Carling

Founded in 1920, Carling Technologies is a leading manufacturer of electrical and electronic switches and assemblies, circuit breakers, electronic controls, power distribution units, and multiplexed power distribution systems. With six ISO9001 and IATF16949 registered manufacturing facilities and technical sales offices worldwide, Carling Technologies Sales, Service and Engineering teams do much more than manufacture electrical components, they engineer powerful solutions! To learn more about Carling please visit www.carlingtech.com/company-profile.

To view all of Carling's environmental, quality, health & safety certifications please visit www.carlingtech.com/environmental-certifications.

© Carling Technologies, Inc.

3. Carling is a registered trademark of Carling Technologies, Inc. in the U.S. and other countries.