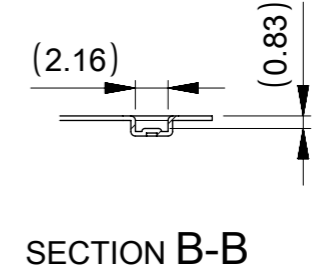
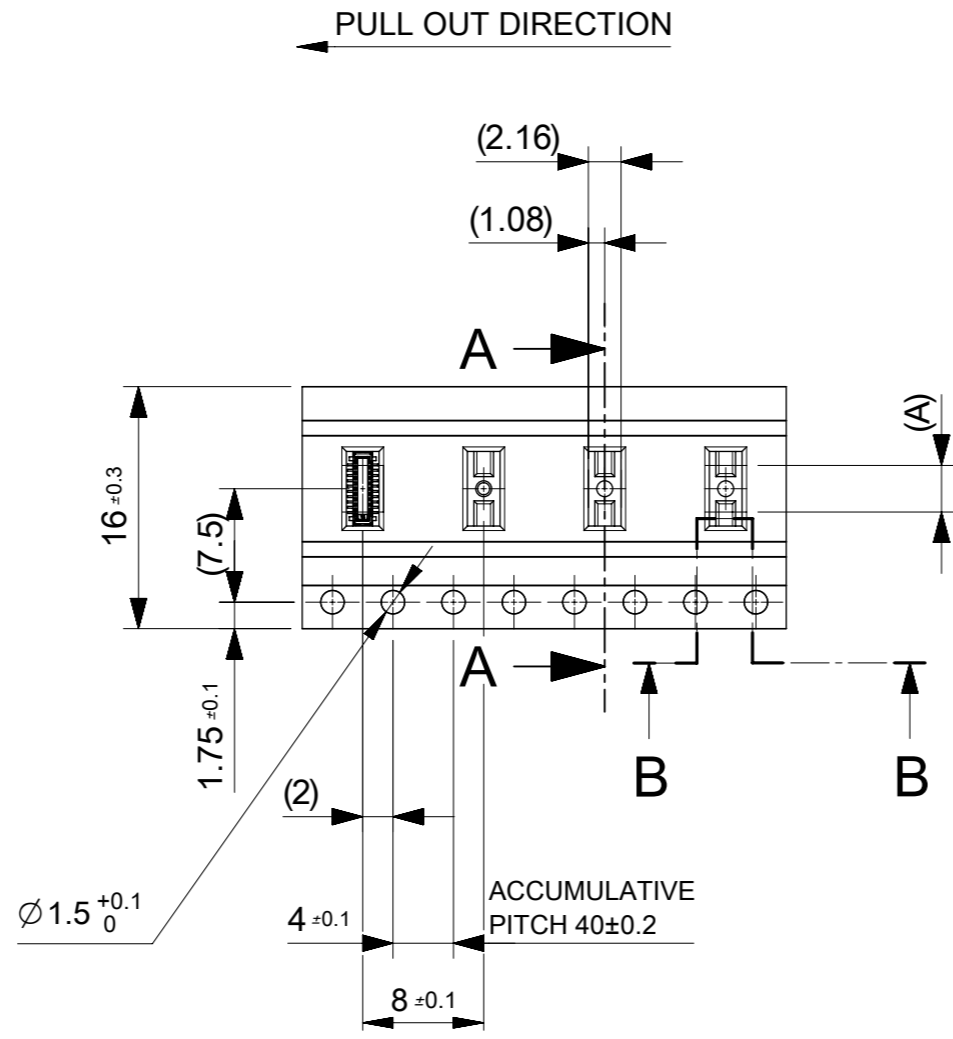
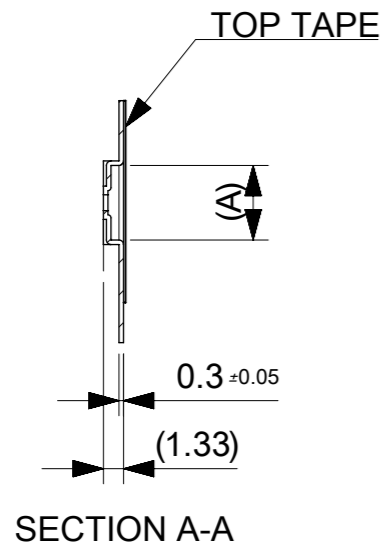


CONNECTOR SERIES NO. 505274**39

THIS DRAWING CONTAINS INFORMATION THAT IS PROPRIETARY TO MOLEX ELECTRONIC TECHNOLOGIES, LLC AND SHOULD NOT BE USED WITHOUT WRITTEN PERMISSION

EC NO: 123537 DRWN: FSATO CHK'D: MSASAO APPR: MSASAO	2017/10/23 2017/11/01 2017/11/02	GENERAL TOLERANCES (UNLESS SPECIFIED) ANGULAR TOL $\pm 3.0^\circ$	DIMENSION UNITS: mm SCALE: NTS	
	4 PLACES ± 0.03 3 PLACES ± 0.03 2 PLACES ± 0.05 1 PLACE ± 0.1 0 PLACES ± 0.2	DRWN BY: FSATO DATE: 2017/10/23	PRODUCT CUSTOMER DRAWING	
	DRAFT WHERE APPLICABLE MUST REMAIN WITHIN DIMENSIONS	CHK'D BY: MSASAO DATE: 2017/11/01	SERIES: 505274 MATERIAL NUMBER: SEE CHART CUSTOMER: GENERAL	
	A3 THIRD ANGLE PROJECTION	APPR BY: MSASAO DATE: 2017/11/02	DOCUMENT NUMBER: 5052740002-SD DOC TYPE: PSD DOC PART: 000 SHEET NUMBER: 1 OF 3	
	RELEASED	EC NO: 123537 DRWN: FSATO CHK'D: MSASAO APPR: MSASAO	DIMENSION UNITS: mm SCALE: NTS	



16	21.4	17.4	6.68	5052743042	○	---	30
			5.63	5052742442	○	---	24
			4.93	5052742042	○	---	20
			4.23	5052741642	○	---	16
			3.18	5052741042	○	---	10
			2.48	5052740642	○	---	6
キャリアテープ幅 CARRIER TAPE WIDTH	C	B	(A)	EMBOSSED TAPE PACKAGE	HIGH VOL. TOOL	LOW VOL. TOOL	CIRCUIT
ORDER NO.	SAMPLE PREPARATION ○:TOOLED △:WOOK IN PROCESS ---:TOOLING TO BE CONFIRMED						

THIS DRAWING CONTAINS INFORMATION THAT IS PROPRIETARY TO MOLEX ELECTRONIC TECHNOLOGIES, LLC AND SHOULD NOT BE USED WITHOUT WRITTEN PERMISSION

EC NO: 123537 DRWN: FSATO CHK'D: MSASAO APPR: MSASAO 2017/10/23 2017/11/01 2017/11/02 RELEASED	GENERAL TOLERANCES (UNLESS SPECIFIED)		DIMENSION UNITS	SCALE					
	ANGULAR TOL ± 3.0 °		mm	NTS					
	4 PLACES ± 0.03	DATE		DRWN BY	DATE	0.35 BB H=0.8 SSB8RP PLUG EMBSTP PKG			
	3 PLACES ± 0.03	DATE		FSATO	2017/10/23				
	2 PLACES ± 0.05	DATE		CHK'D BY	DATE	PRODUCT CUSTOMER DRAWING			
	1 PLACE ± 0.1	DATE		MSASAO	2017/11/01				
0 PLACES ± 0.2	DATE		APPR BY	DATE	SERIES: 505274 MATERIAL NUMBER: SEE CHART CUSTOMER: GENERAL				
DRAFT WHERE APPLICABLE MUST REMAIN WITHIN DIMENSIONS		DATE		MSASAO					2017/11/02
DRAFT WHERE APPLICABLE MUST REMAIN WITHIN DIMENSIONS		DRAWING SIZE	THIRD ANGLE PROJECTION		DOCUMENT NUMBER: 5052740002-SD DOC TYPE: PSD DOC PART: 000 SHEET NUMBER: 2 OF 3				
DRAFT WHERE APPLICABLE MUST REMAIN WITHIN DIMENSIONS		A3							

E

D

C

B

A

E

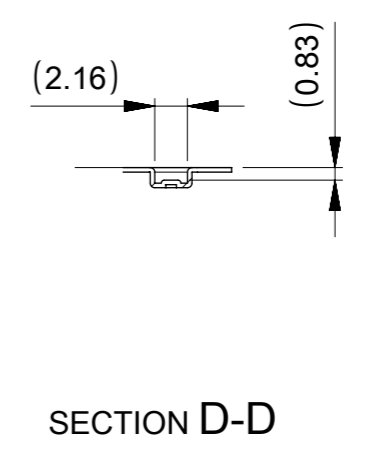
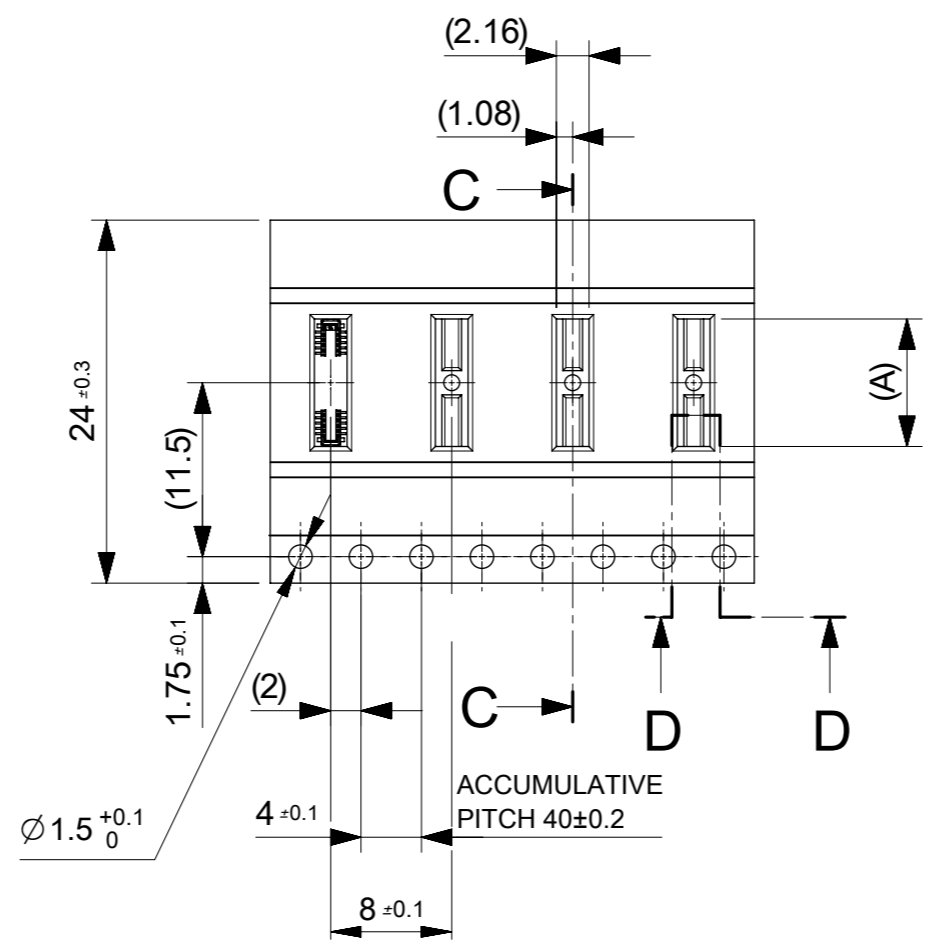
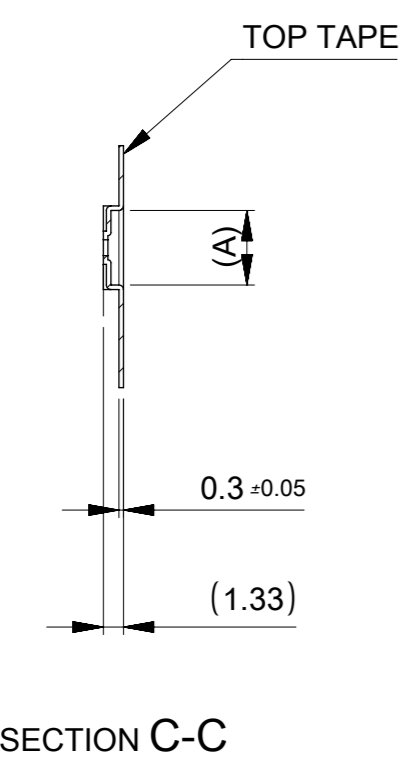
D

C

B

A

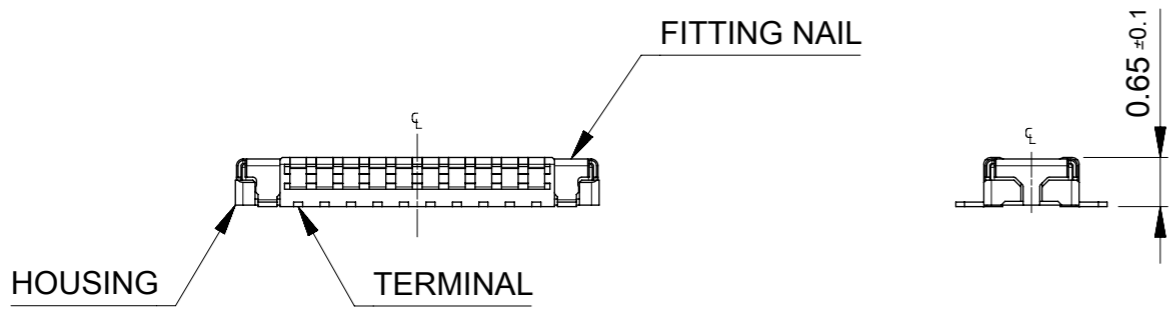
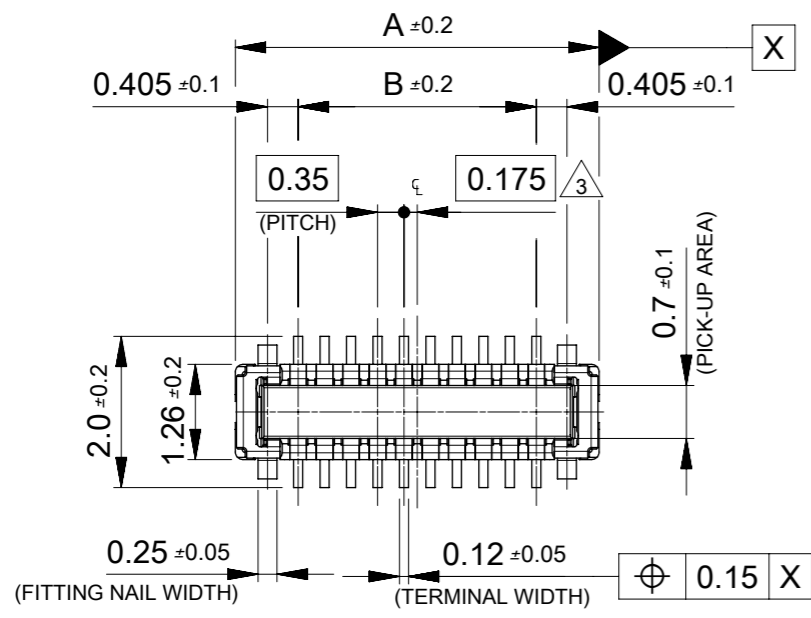
PULL OUT DIRECTION



24	29.4	25.4	10.88	5052745442	○	---	54
			8.43	5052744042	○	---	40
			7.38	5052743442	○	---	34
キャリアテープ幅 CARRIER TAPE WIDTH	C	B	(A)	EMBOSSED TAPE PACKAGE	HIGH VOL. TOOL	LOW VOL. TOOL	CIRCUIT
ORDER NO.	SAMPLE PREPARATION ○:TOOLED △:WOOK IN PROCESS ---:TOOLING TO BE CONFIRMED						

THIS DRAWING CONTAINS INFORMATION THAT IS PROPRIETARY TO MOLEX ELECTRONIC TECHNOLOGIES, LLC AND SHOULD NOT BE USED WITHOUT WRITTEN PERMISSION

EC NO: 123537 DRWN: FSATO CHK'D: MSASAO APPR: MSASAO 2017/10/23 2017/11/01 2017/11/02	GENERAL TOLERANCES (UNLESS SPECIFIED)		DIMENSION UNITS	SCALE					
	ANGULAR TOL ± 3.0 °		mm	NTS					
	4 PLACES ± 0.03	FSATO		DATE		0.35 BB H=0.8 SSB8RP PLUG EMBSTP PKG			
	3 PLACES ± 0.03	MSASAO		DATE					
	2 PLACES ± 0.05	MSASAO		DATE					
1 PLACE ± 0.1	MSASAO		DATE		PRODUCT CUSTOMER DRAWING				
0 PLACES ± 0.2	MSASAO		DATE		SERIES	MATERIAL NUMBER	CUSTOMER		
DRAFT WHERE APPLICABLE MUST REMAIN WITHIN DIMENSIONS		DRAWING SIZE	THIRD ANGLE PROJECTION		505274	SEE CHART	GENERAL		
A	REV	A3				DOCUMENT NUMBER	DOC TYPE	DOC PART	SHEET NUMBER
						5052740002-SD	PSD	000	3 OF 3



NOTES

1. MATERIAL
HOUSING : LIQUID CRYSTAL POLYMER UL94V-0 (COLOR : BLACK)
TERMINAL : COPPER ALLOY
FITTING NAIL : COPPER ALLOY
2. PLATING
TERMINAL :
GOLD
UNDER PLATING NICKEL
*DIVIDE INTO PARTS THE GOLD PLATING OF CONTACT
FITTING NAIL :
GOLD(ONLY CONTACT AND TAIL PART)
UNDER PLATING NICKEL
*GOLD PLATING WILL BE DIVIDED THE CONTACT FROM THE TAIL PART BY THE NICKEL PLATING. THERE MAY BE SLIGHT DIFFERENCES IN THE OTHER PART COLORING. BUT THERE WILL BE NO INFLUENCE ON THE PRODUCT'S PAERFORMANCE.

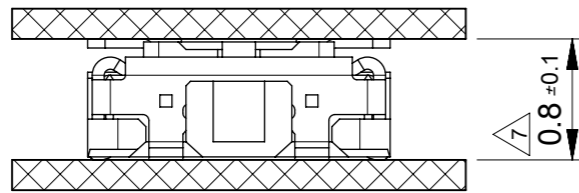
3. APPLY FOR (CIRCUIT/2)=EVEN
4. MATE WITH : 505270**12 (H=0.8) , 505413**10 (H=0.9)
5. TAIL AND FITTING NAIL COPLANARITY TO BE 0.08MAXIMUM.
6. PROHIBITED AREA OF PATTERN WIRING AND SOLDER.
(FOR EACH AREA, THE WIRING THAT TOUCHES ON THE SOLDER CAN BE ATTACHED, THEN COVERED WITH A FILM TO KEEP SOLDER OUT.)
7. THIS DIMENSION SHOWS THE DIMENSION BETWEEN SOLDERING SURFACE OF SOLDER TAILS.

11.96	11.36	9.1	10.76	5052745442	○	---	54
9.51	8.91	6.65	8.31	5052744042	○	---	40
8.46	7.86	5.6	7.26	5052743442	○	---	34
7.76	7.16	4.9	6.56	5052743042	○	---	30
6.71	6.11	3.85	5.51	5052742442	○	---	24
6.01	5.41	3.15	4.81	5052742042	○	---	20
5.31	4.71	2.45	4.11	5052741642	○	---	16
4.26	3.66	1.4	3.06	5052741042	○	---	10
3.56	2.96	0.7	2.36	5052740642	○	---	6

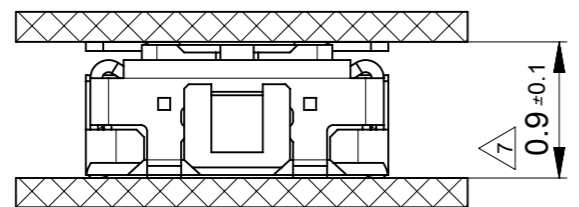
D	C	B	A	EMBOSSED TAPE PACKAGE	MASS PRODUCTION	LOW VOL. TOOL	CIRCUIT
				ORDER No.	SMAPLE PREPARATION ○: TOOLED △: WORK IN PROCESS ---: TOOLING TO BE CONFIRMED		
				CONNECTOR No. : 505274**39			

THIS DRAWING CONTAINS INFORMATION THAT IS PROPRIETARY TO MOLEX ELECTRONIC TECHNOLOGIES, LLC AND SHOULD NOT BE USED WITHOUT WRITTEN PERMISSION

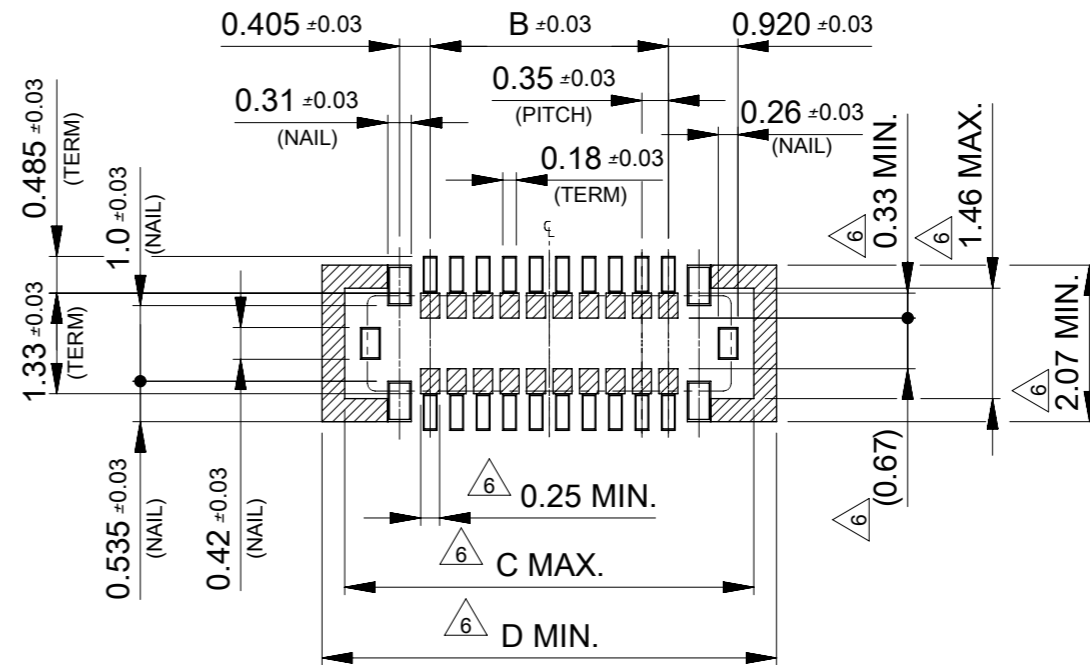
DIMENSION UNITS	SCALE	CURRENT REV DESC: RELEASED		molex			
mm	10:1						
GENERAL TOLERANCES (UNLESS SPECIFIED)				0.35 BB CONN. H=0.8 SSB8RP PLUG ASSY			
ANGULAR TOL	± 3.0 °	EC NO: 646122		PRODUCT CUSTOMER DRAWING			
4 PLACES	± 0.03	DRWN: YSEKI01		2019/09/12			
3 PLACES	± 0.03	CHK'D: STERUKI		2020/09/28			
2 PLACES	± 0.05	APPR: YNAITO		2020/09/28			
1 PLACE	± 0.1	INITIAL REVISION:		DOCUMENT NUMBER			
0 PLACES	± 0.2	DRWN: FSATO		2017/10/23		5052741002-SD	
DRAFT WHERE APPLICABLE MUST REMAIN WITHIN DIMENSIONS		THIRD ANGLE PROJECTION		DRAWING		SERIES	
		A3-SIZE		505274		MATERIAL NUMBER	
		SEE CHART		CUSTOMER		GENERAL	
						SHEET NUMBER	
						1 OF 2	



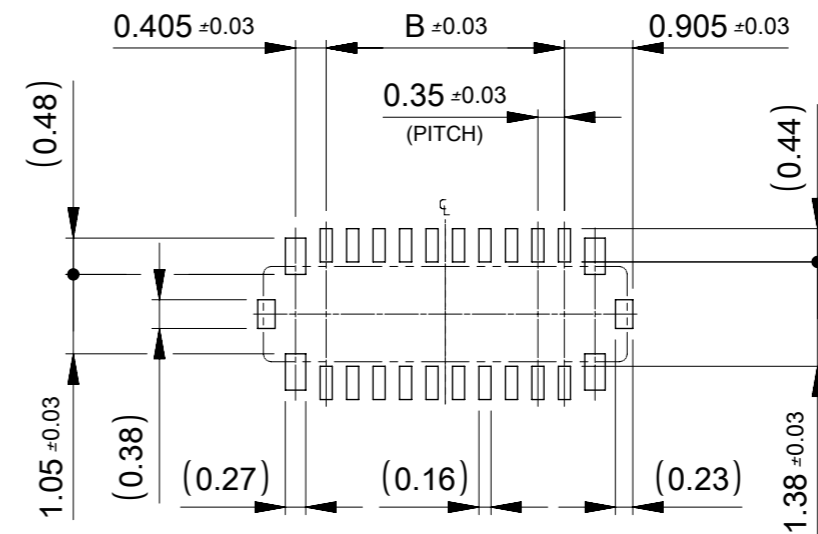
MATED CONDITION (505270/505274)



MATED CONDITION (505413/505274)



RECOMMENDED P.W.BOARD PATTERN LAYOUT (REFERENCE)



RECOMMENDED METAL MASK LAYOUT (REFERENCE)

RECOMMENDED THICKNESS OF METAL MASK : $t=0.08\text{mm}$
 RECOMMENDED OPEN APERTURE RATIO OF METAL MASK : 80%

THIS DRAWING CONTAINS INFORMATION THAT IS PROPRIETARY TO MOLEX ELECTRONIC TECHNOLOGIES, LLC AND SHOULD NOT BE USED WITHOUT WRITTEN PERMISSION											
DIMENSION UNITS		SCALE		CURRENT REV DESC: RELEASED							
mm		10:1									
GENERAL TOLERANCES (UNLESS SPECIFIED)											
ANGULAR TOL ± 3.0°				0.35 BB CONN. H=0.8 SSB8RP PLUG ASSY							
4 PLACES ± 0.03											
3 PLACES ± 0.03				EC NO: 646122							
2 PLACES ± 0.05				DRWN: YSEKI01 2019/09/12							
1 PLACE ± 0.1				CHK'D: STERUKI 2020/09/28							
0 PLACES ± 0.2				APPR: YNAITO 2020/09/28							
DRAFT WHERE APPLICABLE MUST REMAIN WITHIN DIMENSIONS				THIRD ANGLE PROJECTION		DRAWING		SERIES		DOCUMENT NUMBER	
						A3-SIZE		505274		5052741002-SD	
								MATERIAL NUMBER		CUSTOMER	
								SEE SHEET 1		GENERAL	
										DOC TYPE DOC PART REVISION	
										PSD 000 B	
										SHEET NUMBER	
										2 OF 2	