

SP-1600

The Digital View SP-1600 interface controller for multi-input, general purpose OEM monitor applications.

The SP-1600 is a fully buffered multi-sync interface controller providing direct analog and digital connection to a wide range of TFT LCD panels up to UXGA resolution. Key features include a flexible port architecture that provides inputs for DVI, dual VGA channels, Composite, S-Video and Component video. Supporting a wide range of 4:3 and 16:9 format panels, the SP-1600 provides exceptional video performance via a new generation video controller coupled with guaranteed high-reliability.

The SP-1600 is part of Digital View's "Professional Class" video controller family featuring advanced capabilities, support and custom development paths for OEM clients.

Panel Connectivity

- TFT:**
- 1600x1200
 - 1280x768
 - 1366x768
 - 1024x768
 - 1280x1024

Input

- Analog RGB:**
- 60Hz at WUXGA
 - 75Hz at SXGA, WXGA, XGA, SVGA, VGA

With auto detect of Digital Separate Sync, Sync-On-Green & Composite Sync. Auto detects VGA-UXGA, interlaced & non-interlaced.

- Video:**
- NTSC
 - PAL/SECAM (Interlaced)
 - Composite Video
 - S-video
 - RGB Video
 - Component Video (YCrCb)

Reliability

Calculated Mean Time Between Failures - In excess of 100,000 hours. **Warranty** - 3 years.

Custom Engineering Services - custom input timing, panel timing, splash screen, OSD Menu, conformal coatings, layouts etc.

Features

Colors: Up to 8 bit per color, ie 16.7 million colors.

Functions: On Screen Display (OSD) menu.

Function Controls: External buttons, Infra-Red controls, Serial Port control.

Image Scaling: Up/Down scaling to fit input to panel resolution.

Image Control: Auto configuration, Brightness, Contrast, Clock, Phase, Color temperature, Image position, Saturation, Hue, Gamma.

Other Features: Auto picture setup, Auto color gain, Auto power, OSD timeout position and transparency, Programmable hot keys.

Dimensions: 179mm x 120.4mm (7" x 4.74")

Form Factor: DV standard & mounting holes.

Power Requirements: 12V DC, 10W (controller only)

Panel Power: Supports 3.3V, 5V & 12V panels.

Panel Signal: TTL (Single pixel) & LVDS.

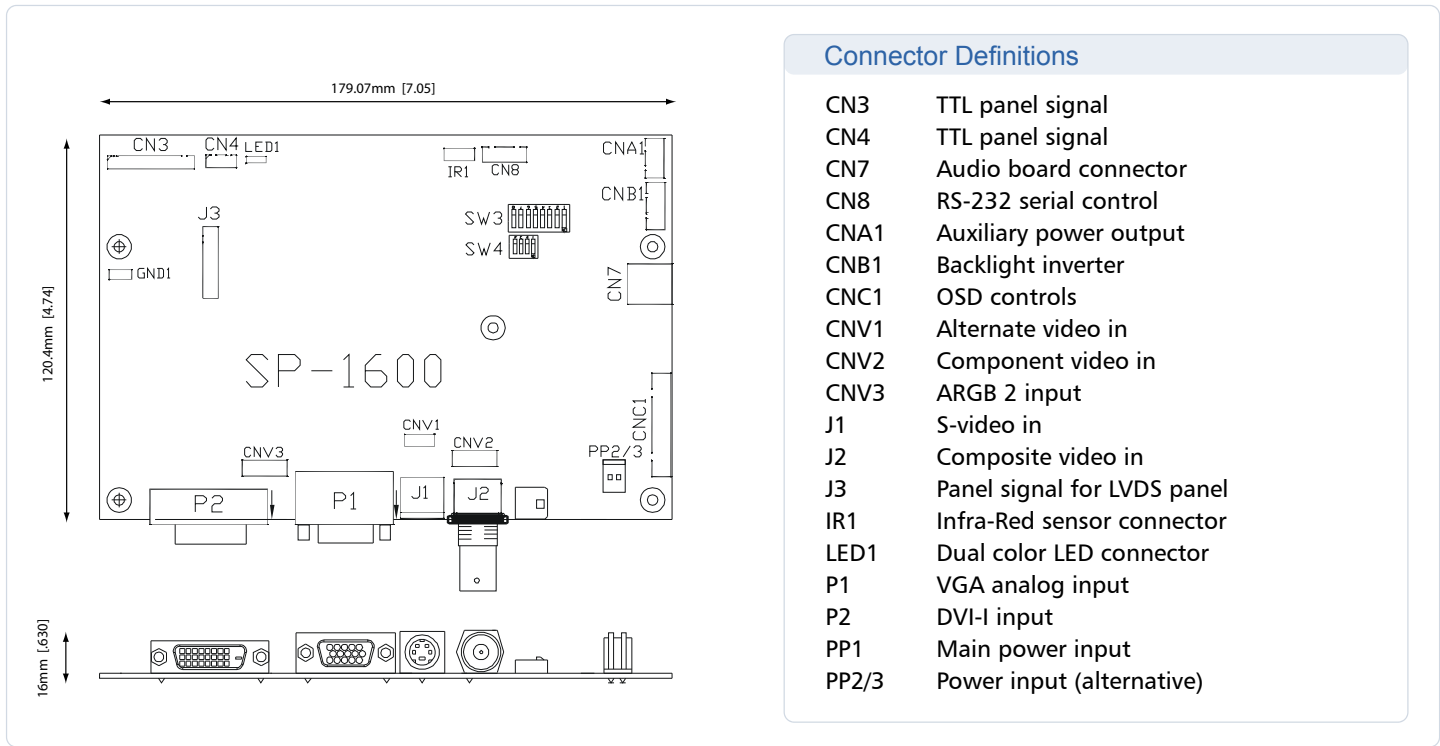
Inverter Support: DPMS Enable pin (5V or 12V)

Plug & Play: DDC 1,2/b compatible

Status Indicator: Dual color LED support.

Options

2W per channel stereo amplifier, Infra-Red controller.



Connector Definitions

CN3	TTL panel signal
CN4	TTL panel signal
CN7	Audio board connector
CN8	RS-232 serial control
CNA1	Auxiliary power output
CNB1	Backlight inverter
CNC1	OSD controls
CNV1	Alternate video in
CNV2	Component video in
CNV3	ARGB 2 input
J1	S-video in
J2	Composite video in
J3	Panel signal for LVDS panel
IR1	Infra-Red sensor connector
LED1	Dual color LED connector
P1	VGA analog input
P2	DVI-I input
PP1	Main power input
PP2/3	Power input (alternative)

Accessories

416940020-3	Audio Amplifier
416040010-3	Inverter Interface board
Kit 60109	OSD Button Board
Kit 60120	OSD Membrane Kit
Kit 60124	OSD Membrane Kit
5590001-00	IR remote control

*See accessories page on website for details.

Available Documentation

- Instruction Manual
- Serial Port Programming Manual
- Firmware Upgrade Manual
- MTBF Analysis

ASIA	USA	EUROPE	CANADA
Digital View Ltd. 19th floor Tai Tung Building 8 Fleming Road Wanchai, Hong Kong	Digital View Inc. 18440 Technology Drive Morgan Hill, CA 95037 USA	Digital View Ltd. 36 Mortimer Street London, W1W7RG England	Digital View Ltd. 247 North Service Road West Suite 303 Oakville, Ontario
Tel: (852) 2861-3615 Fax: (852) 2520-2987 Email: sales@digitalview.com	Tel: 1 (408) 782-7773 Fax: 1 (408) 782-7883 Email: sales@digitalview.com	Tel: +44 20-7631-2150 Fax: +44 20-7436-1299 Email: sales@digitalview.com	Tel: (905) 337-3975 Fax: (905) 337-0169 Email: sales@digitalview.com

Please visit our web site for more information: www.digitalview.com

