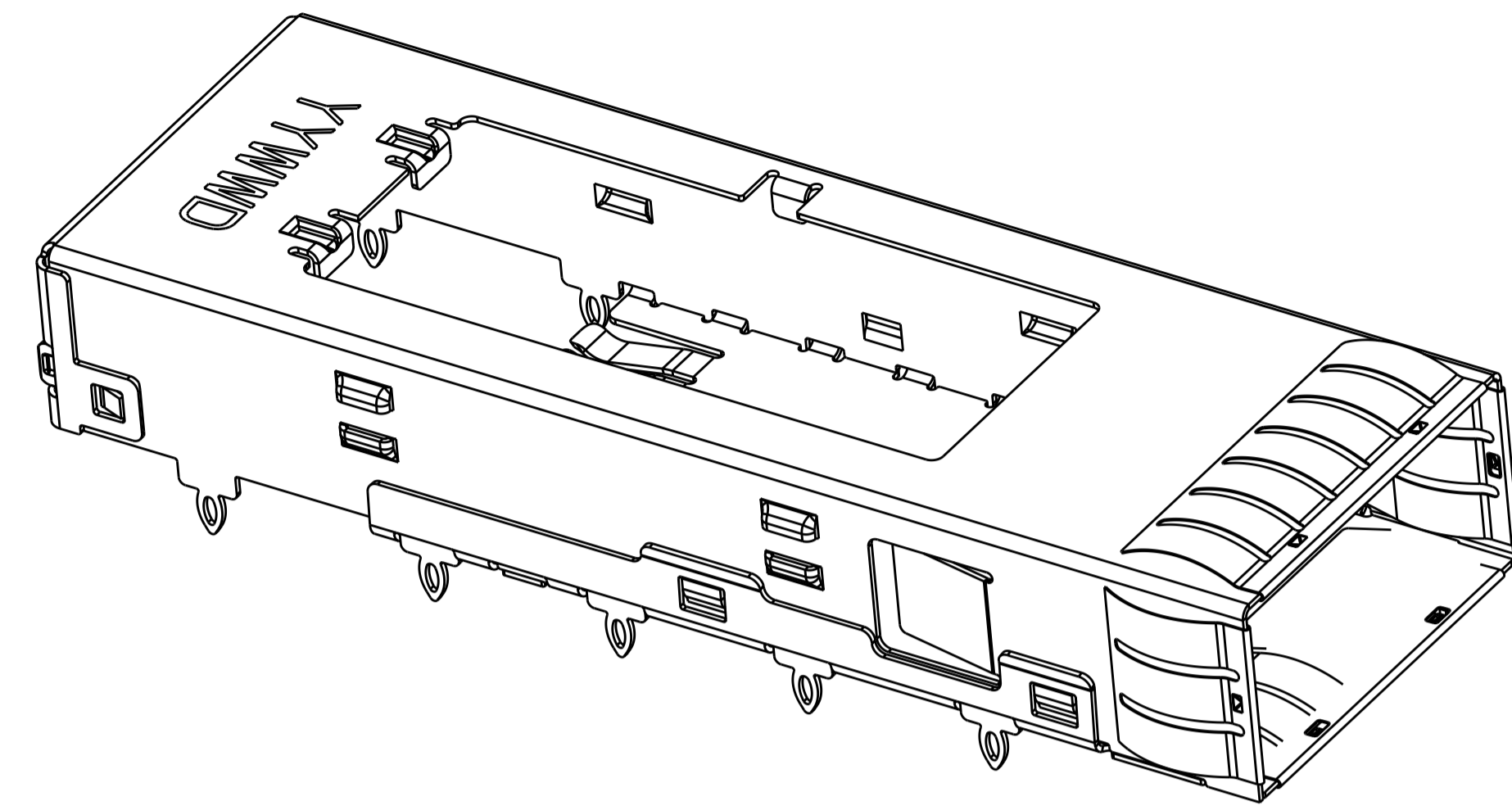
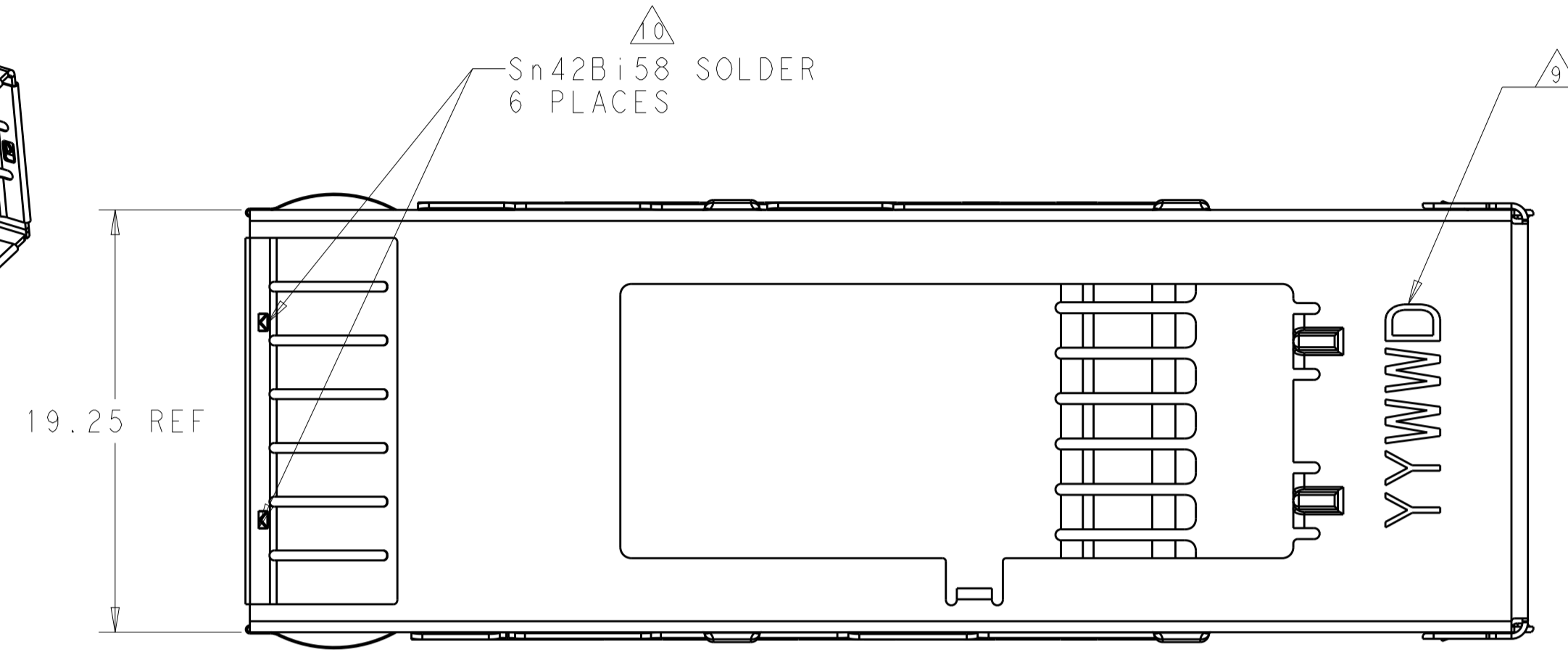


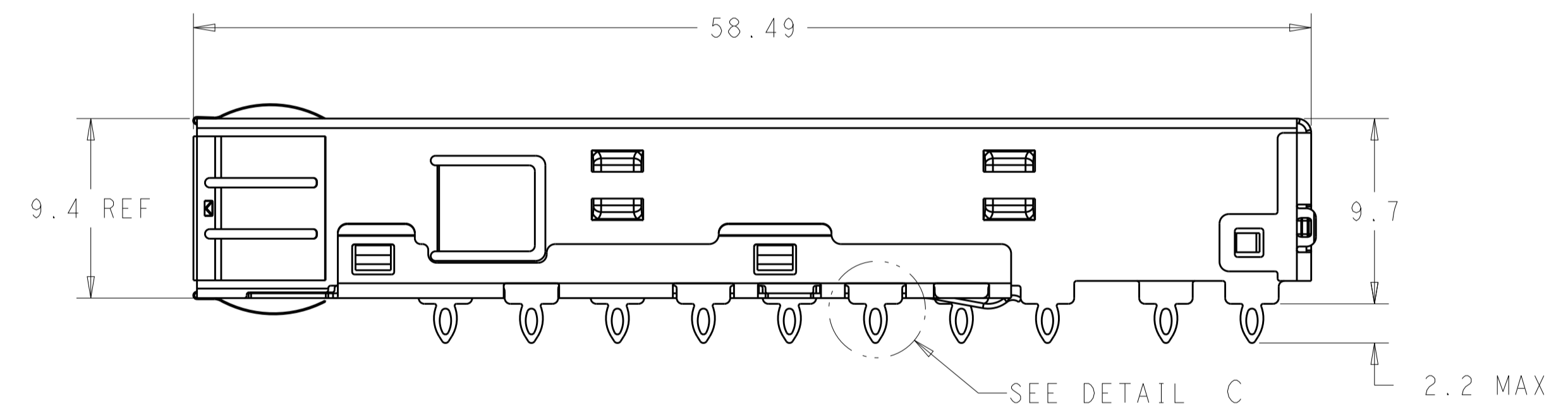
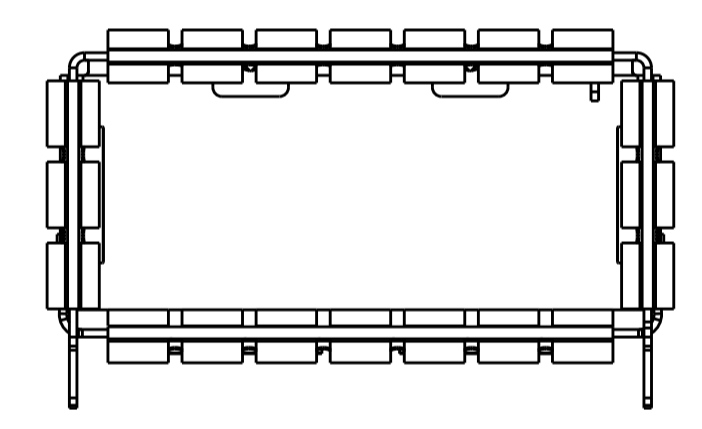
LOC	DIST	REVISIONS					
		P	LTN	DESCRIPTION	DATE	DWN	APVD
		A		FIRST ACTIVE	19APR2014	HW	MC
		B		UPDATE VIEW	29OCT2014	RG	MC
		C		ADD DIMENSION 15.14	15JAN2015	RG	MC
		D		REVISED PER ECO-18-010041	04JUL2018	TX	SH



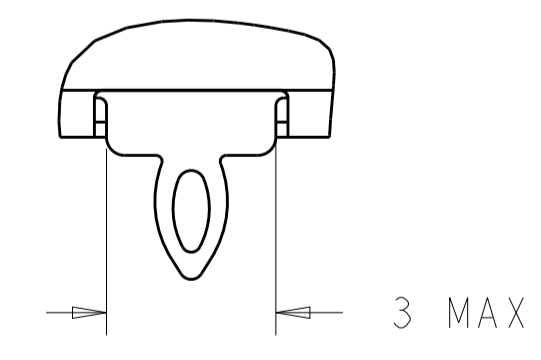
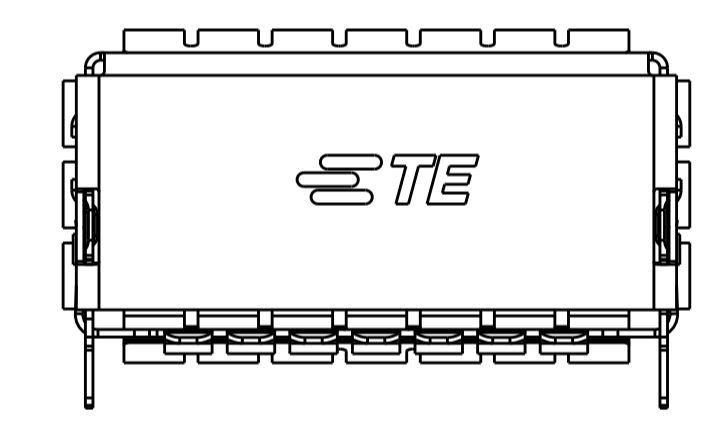
SCALE 4:1



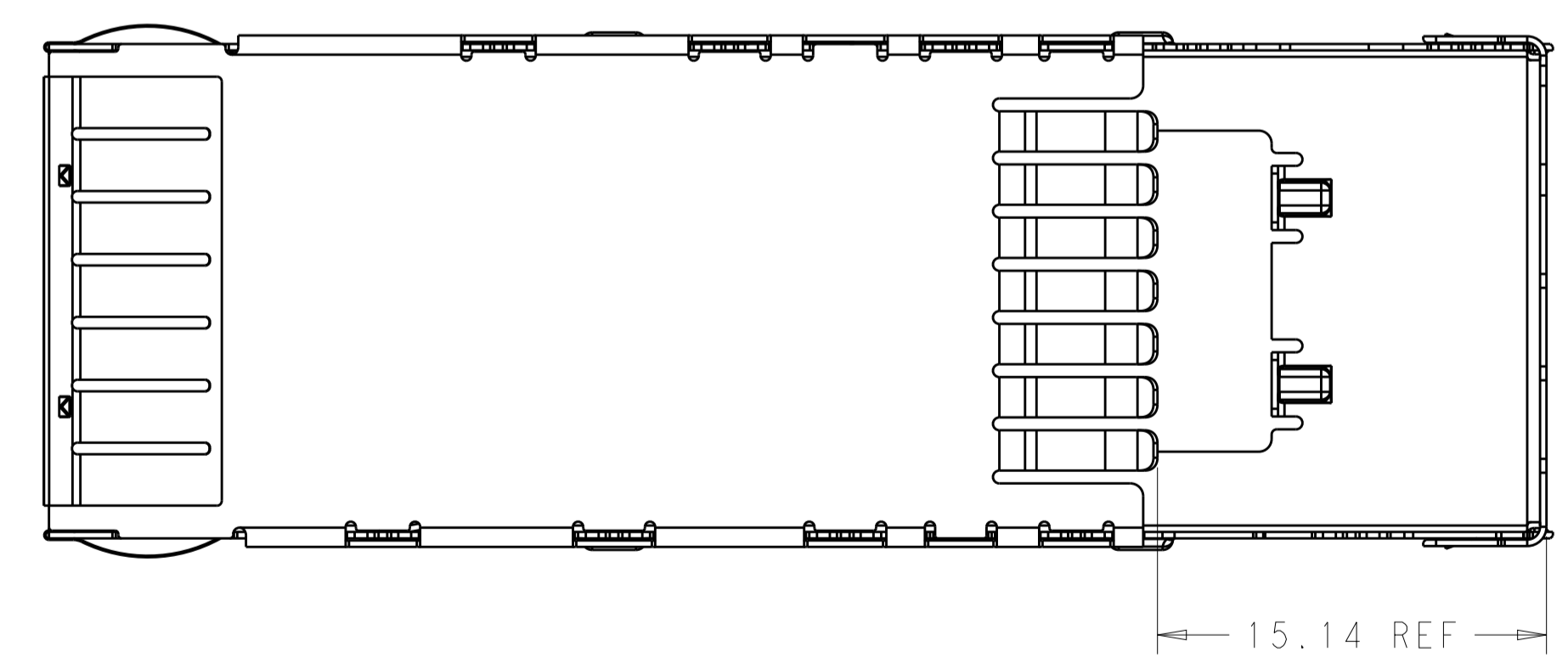
- △ CAGE MATERIAL : 0.25 mm THICK NICKEL SILVER.
SPRING MATERIAL: COPPER ALLOY
- △ MINIMUM PITCH DIMENSION
- 3. MATES WITH QSFP MSA COMPATIBLE TRANSCEIVER.
- △ REFERENCE APPLICATION SPEC 114-13217 FOR RECOMMENDED DRILL HOLE DIAMETER AND PLATING THICKNESS.
- △ DATUM AND BASIC DIMENSIONS ESTABLISHED BY CUSTOMERS.
- 6. MINIMUM PC BOARD THICKNESS :
SINGLES SIDED: 1.45 mm MIN
DOUBLE SIDED: 2.2 mm MIN
- △ DATUM -A- IS TOP SURFACE OF THE HOST BOARD.
- △ SURFACE TRACES PERMITTED WITHIN THIS AREA EXCEPT WHERE CAGE STANDOFFS, CONTACT PC BOARD.
- △ DATE CODE (YYWWD) MARKED APPROXIMATELY AS SHOWN
- △ FIX EMI SPRING BY SOLDERING.



SCALE 4:1



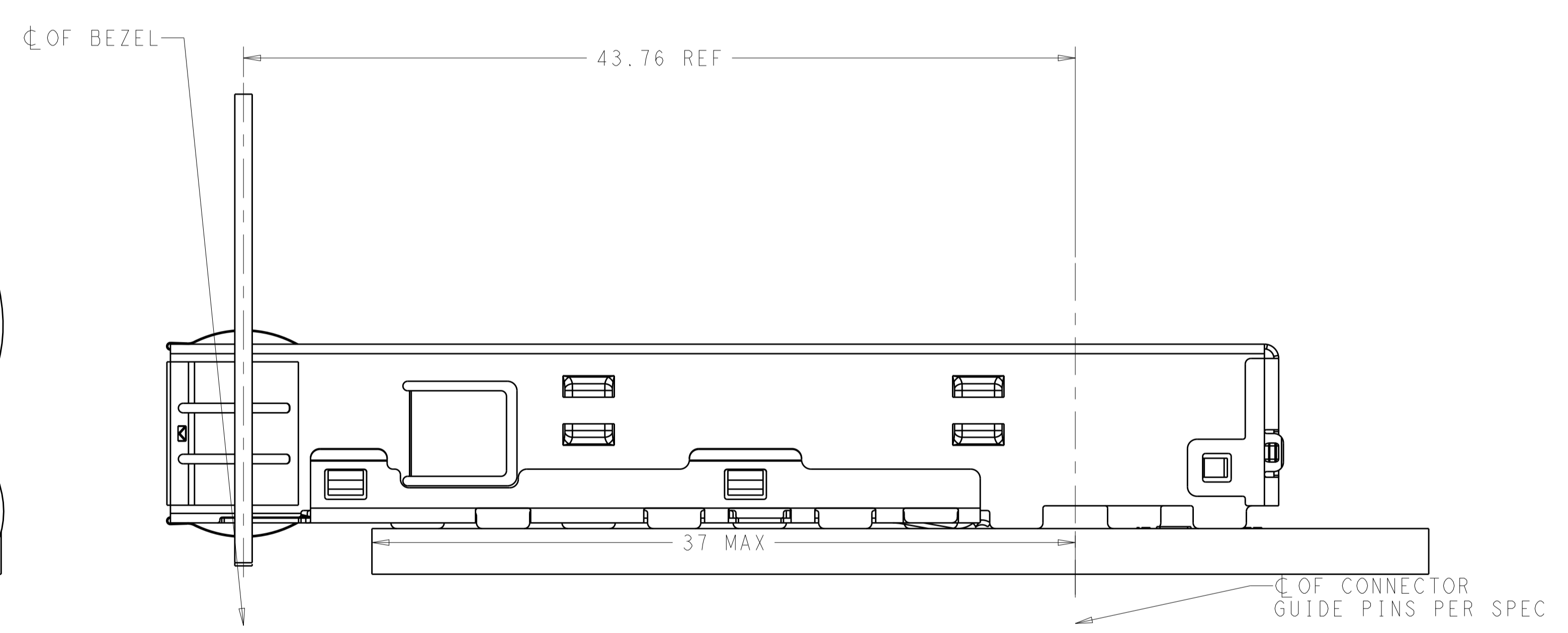
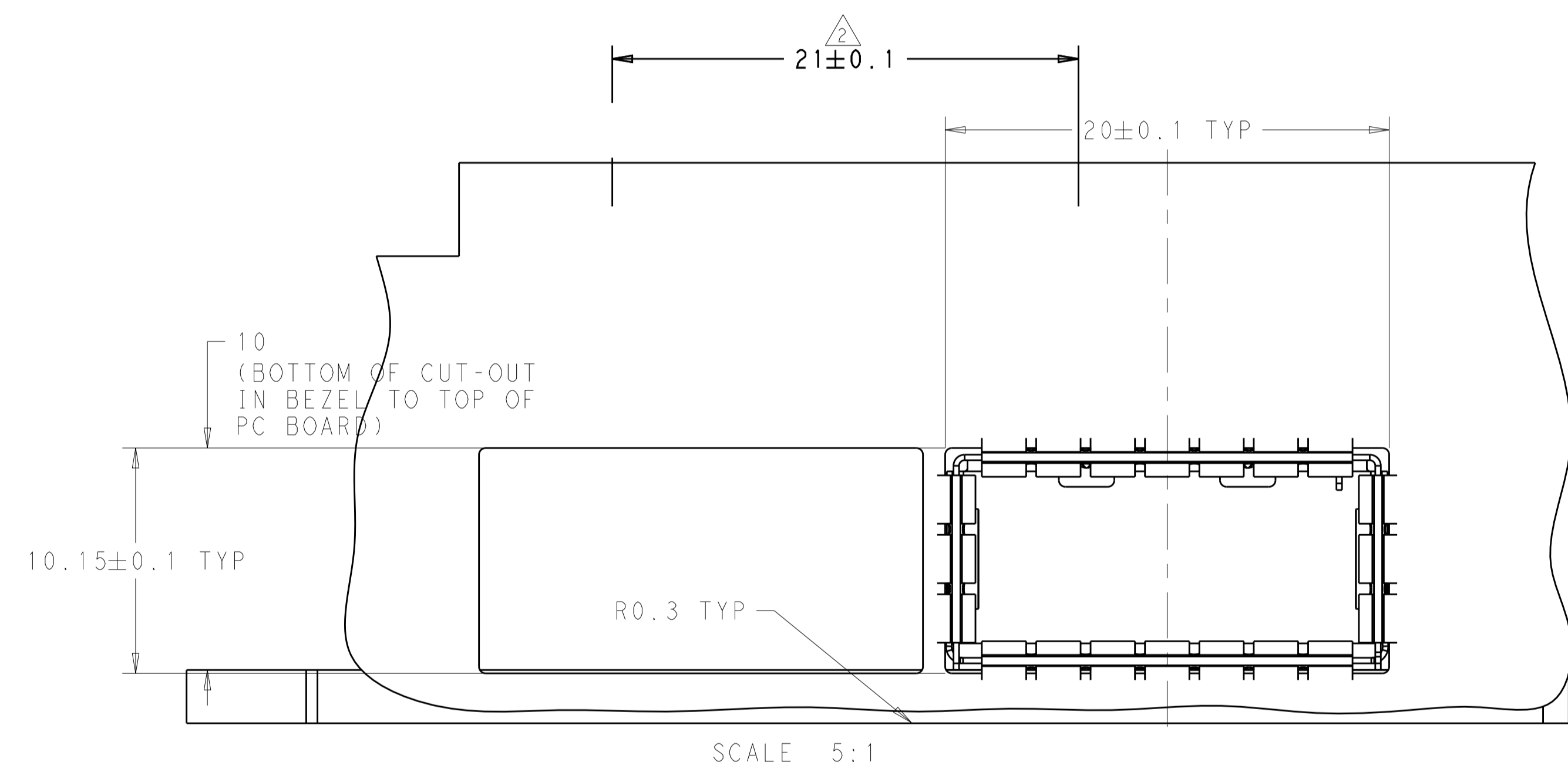
DETAIL C
SCALE 8:1



2170519-1 PART NUMBER

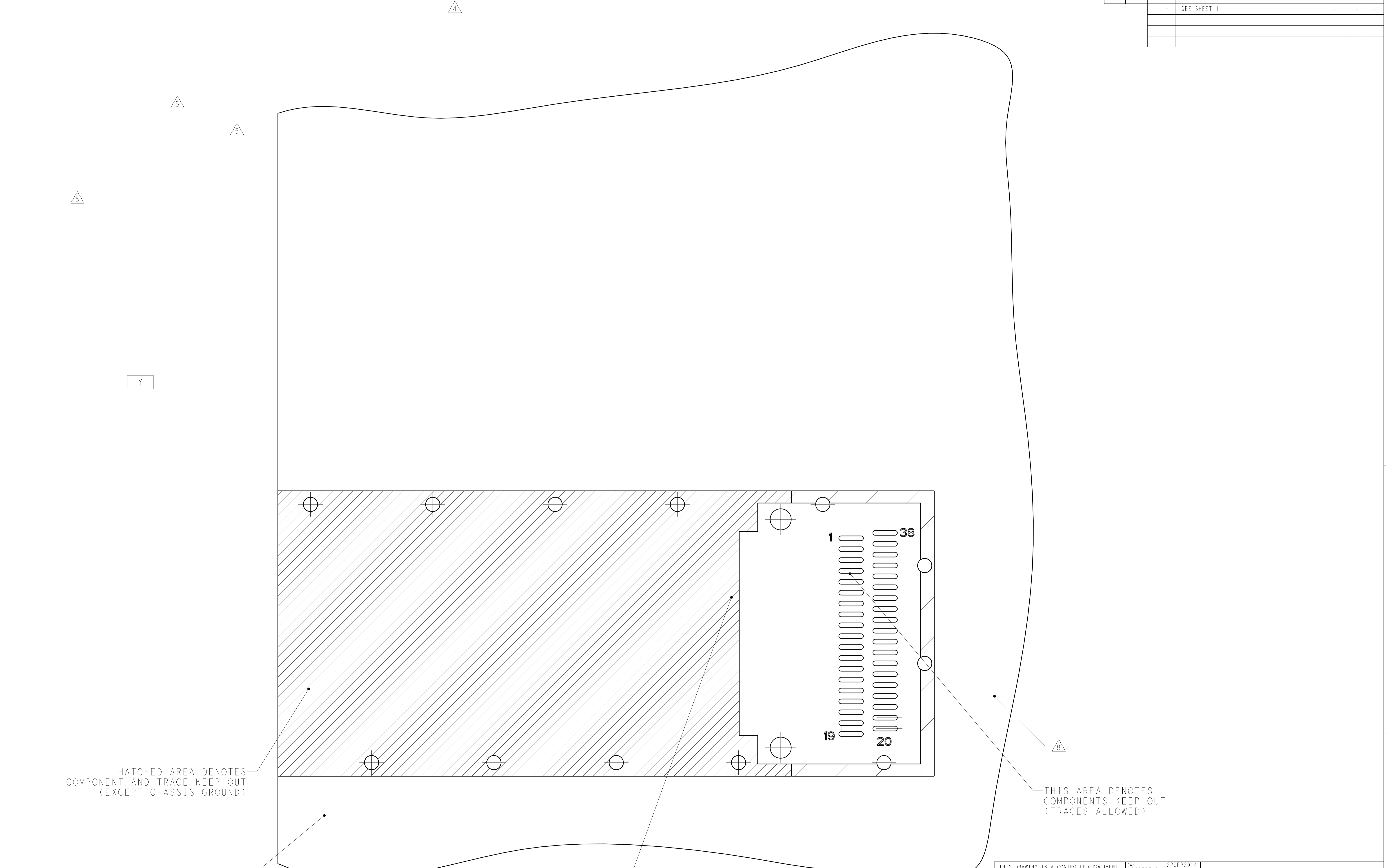
THIS DRAWING IS A CONTROLLED DOCUMENT.		DWN: ROBERT GAN 22SEP2014	TE Connectivity NAME: CAGE ASSEMBLY, THRU BEZEL 1X1 QSFP+
DIMENSIONS: mm		CHK: MARSHALL CHEN 22SEP2014	
TOLERANCES UNLESS OTHERWISE SPECIFIED:		APVD: MARSHALL CHEN 22SEP2014	PRODUCT SPEC: 108-2286
0 PLC ±0.25 1 PLC ±0.25 2 PLC ±0.10 3 PLC ±0.013 4 PLC ± ANGLES ±°		APPLICATION SPEC: 114-13217	RESTRICTED TO: -
MATERIAL: -		WEIGHT: -	SIZE: A100779C=2170519
FINISH: -		CUSTOMER DRAWING	SCALE: 2:1 SHEET 1 OF 3 REV D

LOC		DIST		REVISIONS			
P	LTN	DESCRIPTION	DATE	DMN	APVD		
-	-	SEE SHEET 1	-	-	-		



THIS DRAWING IS A CONTROLLED DOCUMENT.		DMN: ROBERT GAN	22SEP2014	TE Connectivity
DIMENSIONS: mm		CHK: MARSHALL CHEN	22SEP2014	
TOLERANCES UNLESS OTHERWISE SPECIFIED:		APVD: MARSHALL CHEN	NAME: CAGE ASSEMBLY, THRU BEZEL	RESTRICTED TO
0 PLC ±0.25		PRODUCT SPEC: 108-2286	SIZE: A100779	
1 PLC ±0.25		APPLICATION SPEC: 114-13217	CAGE CODE: C=2170519	SCALE: 2:1 SHEET 2 OF 3 REV D
2 PLC ±0.10		WEIGHT: -	CUSTOMER DRAWING	
3 PLC ±0.013				
4 PLC ±				
ANGLES ±				
FINISH				

LOC		DIST		REVISIONS			
P	LTN	DESCRIPTION	DATE	OWN	APVD		
-	-	SEE SHEET 1	-	-	-		



- Y -

HATCHED AREA DENOTES COMPONENT AND TRACE KEEP-OUT (EXCEPT CHASSIS GROUND)

THIS AREA DENOTES COMPONENTS KEEP-OUT (TRACES ALLOWED)

CROSS HATCHED AREA DENOTES EMI GROUNDING PAD MUST BE CONNECTED TO CHASSIS GROUND

THIS DRAWING IS A CONTROLLED DOCUMENT.		OWN: ROBERT GAN	22SEP2014	TE Connectivity	
DIMENSIONS: mm		CHK: MARSHALL CHEN	22SEP2014		
TOLERANCES UNLESS OTHERWISE SPECIFIED: 0 PLC ±0.25 1 PLC ±0.25 2 PLC ±0.10 3 PLC ±0.013 4 PLC ±" ANGLES ±" FINISH ±"		NAME: CAGE ASSEMBLY, THRU BEZEL 1X1 QFP+	PRODUCT SPEC: 108-2286	APPLICATION SPEC: 114-13217	RESTRICTED TO:
MATERIAL: -		WEIGHT: -	SIZE: A1	CAGE CODE: 00779	DRAWING NO: C=2170519
CUSTOMER DRAWING		SCALE: 2:1	SHEET: 3	OF: 3	REV: D