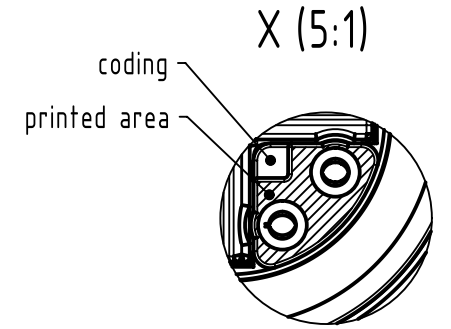
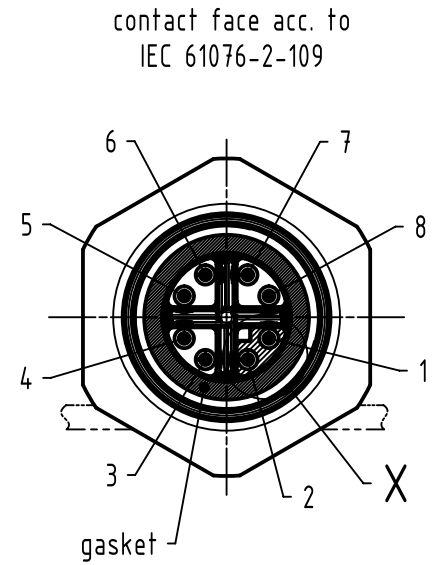
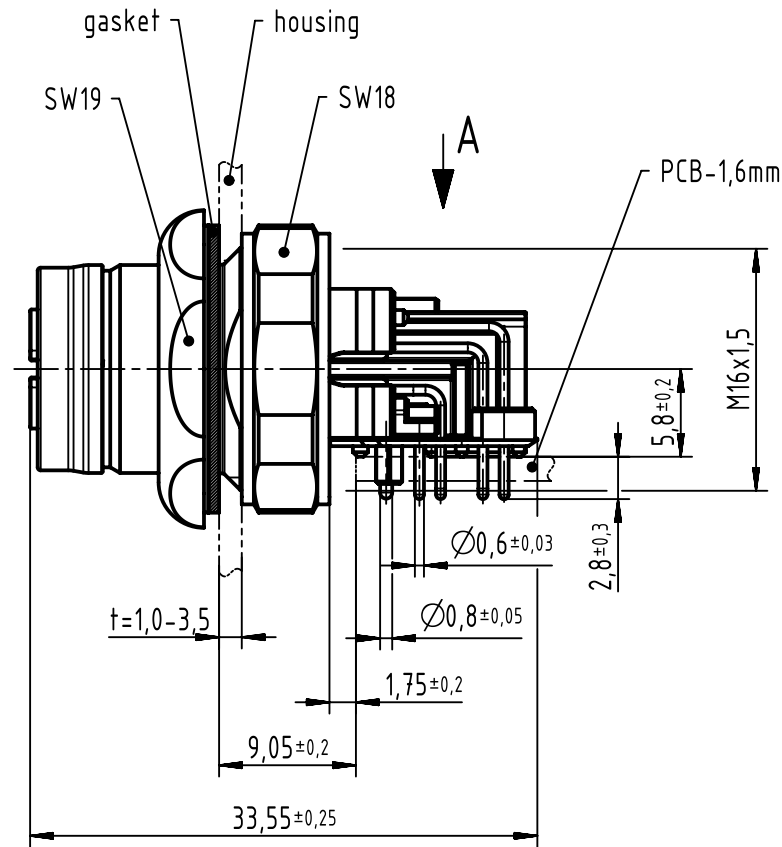
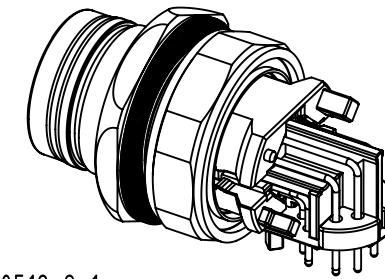
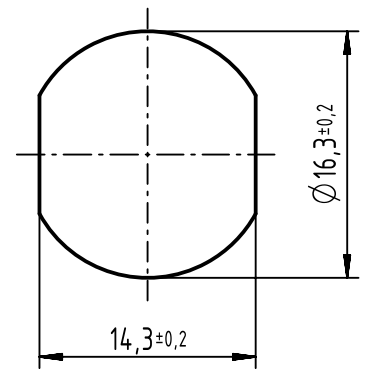


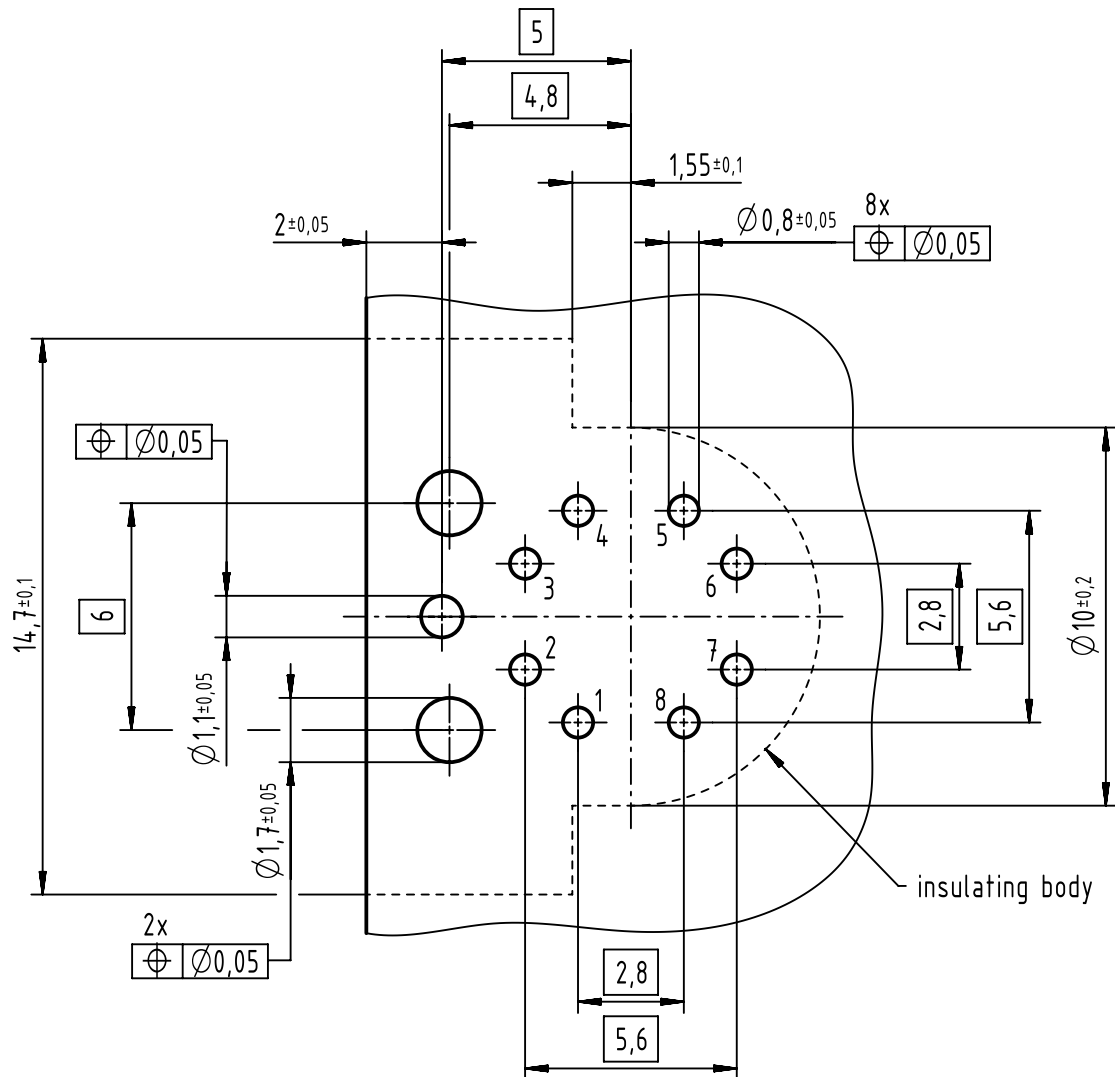
A (5:1)
recommended PCB-layout



panel cut out



- 500 mating cycles acc. to IEC 60512-9-1
- design for reflow soldering
- 1 piece single package



pin assignment			
difference of contact length to pin 1	pin	signal	pair
0	1	TD1+	2
-2,8	2	RD1-	2
-2,8	3	TD2+	3
0	4	RD2-	3
+5,6	5	TD4+	4
+8,4	6	RD4-	4
+8,4	7	RD3-	1
+5,6	8	TD3+	1

	All rights reserved Department EL PD HARTING Electronics GmbH D-32339 Espelkamp	All Dimensions in mm Original Size DIN A3	Scale 2:1	Free size tol.	Ref. Sub.
		Created by DYCKC	Inspected by 104122	Standardisation KOHLER	Date 2020-06-04
Title har-speed M12 PCB Cat6A receptacle angled front					Doc-Key / ECM-Nr. 100230899/UGD/003/F 500000172725
Type TB		Number 21033814810			Rev. F
					Page 1/1