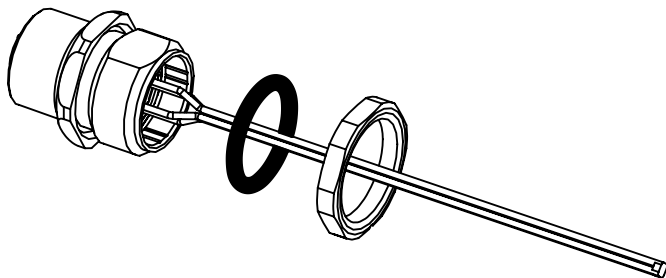
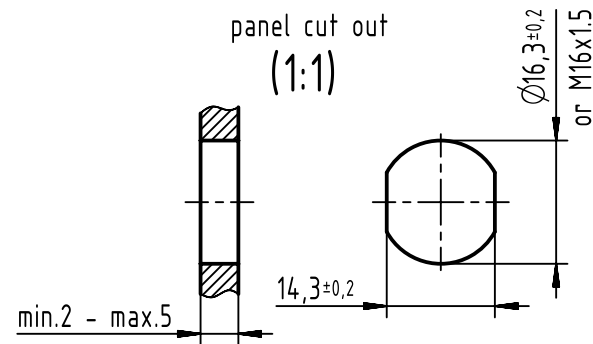
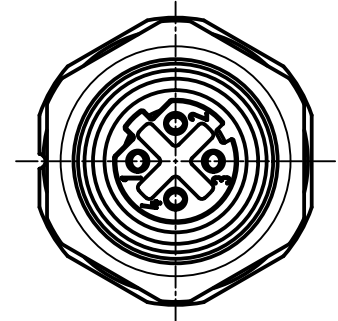
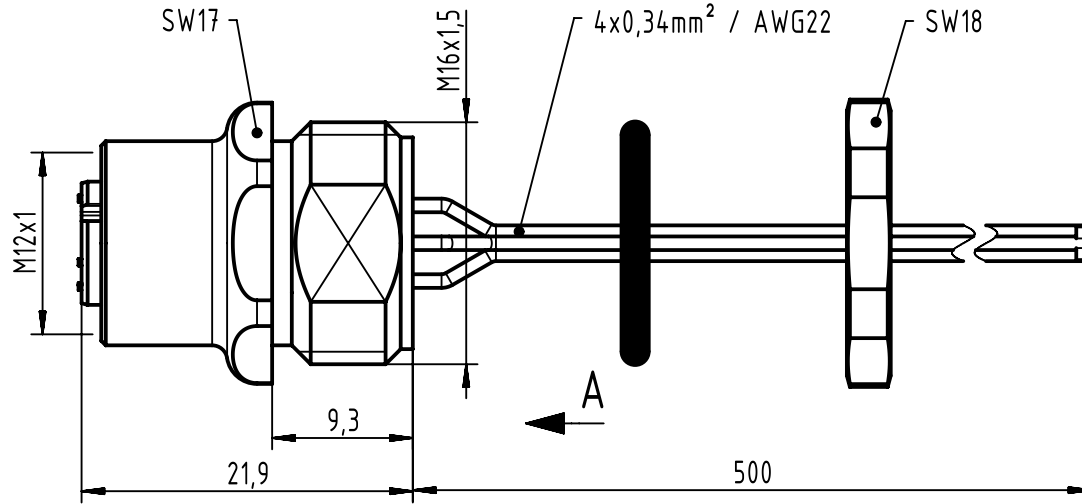
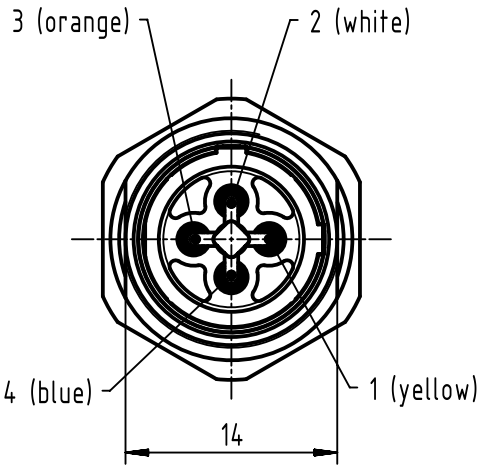


A

(view without locking nut and sealing)



	All rights reserved Department EL PD	All Dimensions in mm Original Size DIN A4		Scale 2:1	Free size tol.	Ref. Sub.
		HARTING Electronics GmbH D-32339 Espelkamp	Created by DYCKC	Inspected by HARLASS	Standardisation KOHLER	Date 2018-12-18
Title HARTING M12 PFT female 4-pole D-coded M16x1.5				Doc-Key / ECM-Nr. 100218678/UGD/008/G 50000014.0678		Rev. G
Type TB		Number 21033712403		Page 1/1		