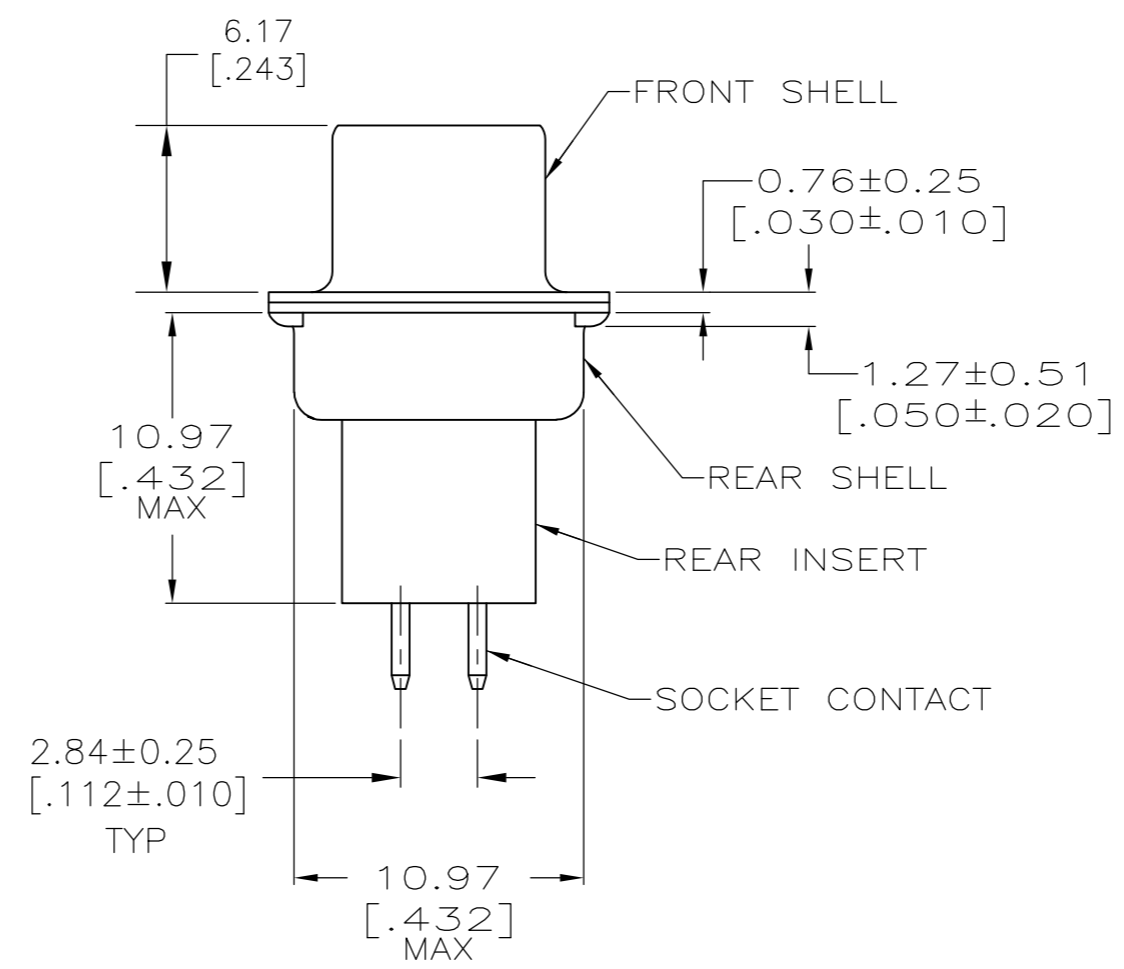
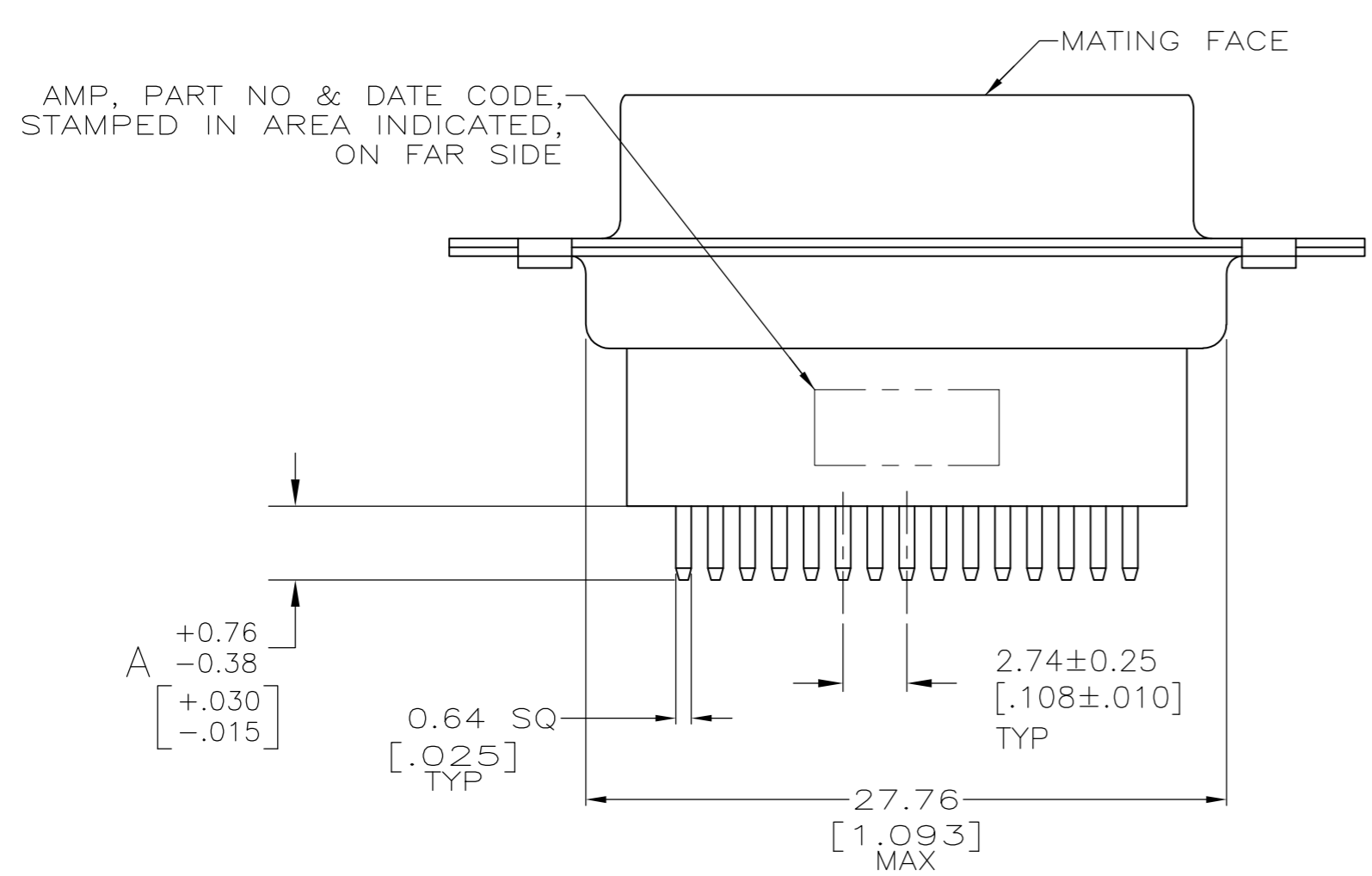
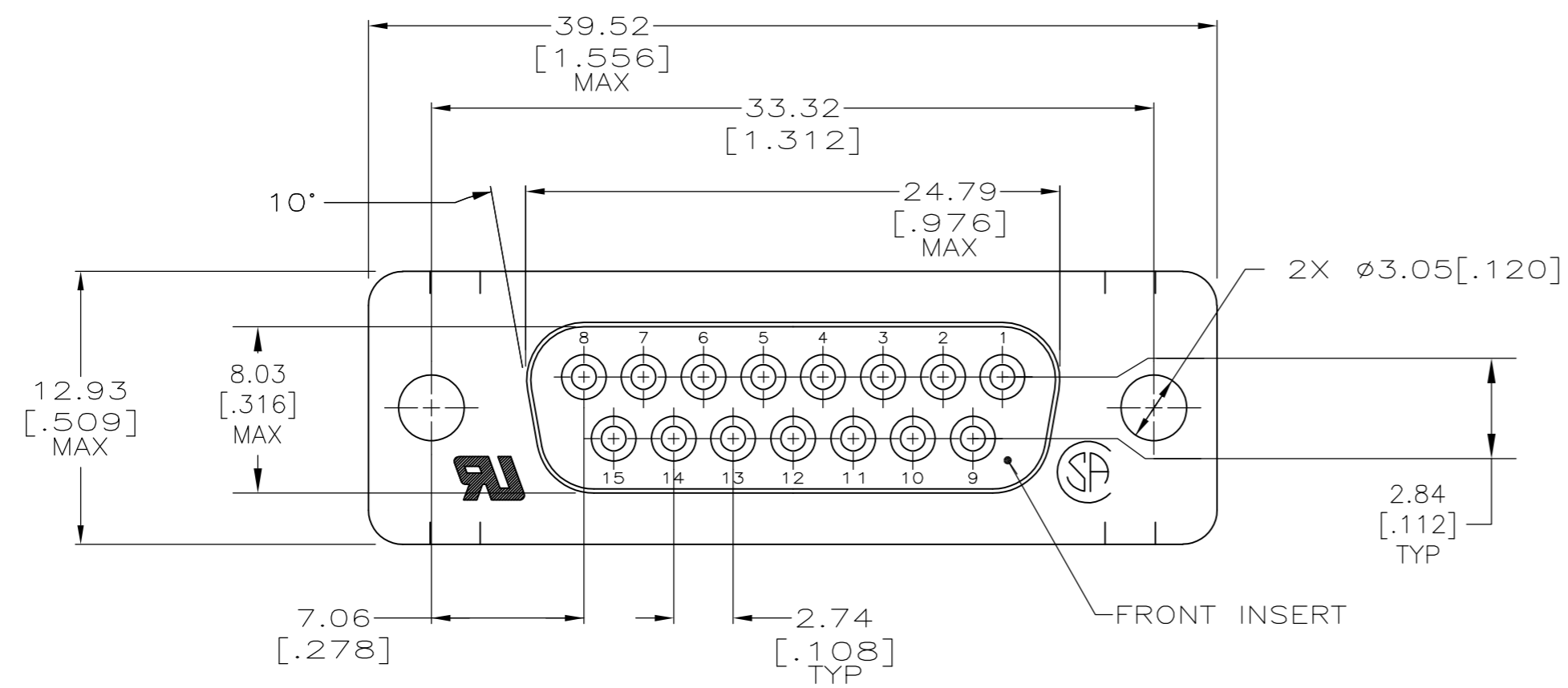


THIS DRAWING IS UNPUBLISHED. RELEASED FOR PUBLICATION
 © COPYRIGHT 2005 By - ALL RIGHTS RESERVED.

LOC	DIST	REVISIONS					
GP	00	P	LTR	DESCRIPTION	DATE	DWN	APVD
		Z		REVISED PER ECO-14-011808	09AUG2014	AP	SB



- 1 MOLDED PARTS: GLASS-FILLED PBT OR GLASS-FILLED NYLON, UL94V-0 RATED. COLOR: BLACK
SHELLS: CARBON STEEL
CONTACTS: PHOS BRONZE
- 2 SHELLS: 5.08µm [.000200] MIN ZINC WITH YELLOW CHROMATE COATING.
CONTACTS: GOLD FLASH ON MATING END, 2.54µm [.000100] MIN TIN-LEAD ON SOLDER END, BOTH OVER 1.27µm [.000050] MIN NICKEL.

- 7 SHELLS: 5.08µm [.000200] MIN ZINC WITH YELLOW CHROMATE COATING.
CONTACTS: 0.76µm [.000030] MIN GOLD IN MATED AREA, 2.54µm [.000100] MIN TIN-LEAD ON SOLDER END, BOTH OVER 1.27µm [.000050] MIN NICKEL. OR GOLD FLASH OVER PALLADIUM-NICKEL
0.76µm [.000030] MIN TOTAL ON MATING AREA, 2.54µm [.000100] MIN TIN-LEAD ON SOLDER END, BOTH OVER 1.27µm [.000050] MIN NICKEL.

- 3. NOTE DELETED.
- 4. NOTE DELETED.
- 5. NOTE DELETED.
- 6. NOTE DELETED.

OBSOLETE	-	-	205736-9
SUPSD BY 205736-7	2	4.78 [.188]	205736-8
	7	4.78 [.188]	205736-7
OBSOLETE	2	16.54 [.651]	205736-6
SUPSD BY 745185-5	7	16.54 [.651]	205736-5
	2	10.85 [.427]	205736-4
SUPSD BY 745185-5	7	10.85 [.427]	205736-3
SUPSD BY 205736-1	2	3.18 [.125]	205736-2
OBSOLETE	7	3.18 [.125]	205736-1
	GOLD FINISH	A	PART NUMBER

THIS DRAWING IS A CONTROLLED DOCUMENT. DIMENSIONING AND TOLERANCING PER ASME Y14.5M-2009		DWN J. POLIGNONE 01FEB07		
DIMENSIONS: mm [INCHES]		CHK E. BRIANT 01FEB07		
TOLERANCES UNLESS OTHERWISE SPECIFIED:		APVD E. BRIANT 01FEB07	NAME	
0 PLC ± -		PRODUCT SPEC		RECEPTACLE ASSY, SIZE 2, 15 POSITION, FOR PCB AMPLIMITE HDP
1 PLC ± -		APPLICATION SPEC		
2 PLC ± 0.13 [.005]		108-40025		SIZE A2
3 PLC ± -		114-40013		CAGE CODE 00779
4 PLC ± -		WEIGHT -		DRAWING NO C=205736
ANGLES ± 2°		CUSTOMER DRAWING		RESTRICTED TO -
FINISH 1 2 3		SCALE NTS		SHEET 1 OF 1
		REV Z		