

## D-SUB power contact - VS-BU-LH-3,6/18/3,8 - 1655454


Please be informed that the data shown in this PDF Document is generated from our Online Catalog. Please find the complete data in the user's documentation. Our General Terms of Use for Downloads are valid (<http://phoenixcontact.com/download>)



POWER contact, for D-SUB combination inserts, for PCB assembly, socket, angled, rated current 40 A, gold-plated

RoHS

### Key Commercial Data

Packing unit	100 pc
Minimum order quantity	100 pc
GTIN	 4 046356 029384
GTIN	4046356029384

### Technical data

#### Mechanical characteristics

Insertion/withdrawal cycles	≥ 500
Connection method	PCB mounting
Type of contact	Socket
Insertion force per signal contact	≤ 7.00 N
Extraction force per signal contact	approx. 5 N
Insulation resistance	≥ 5 GΩ
Contact type	turned

#### Ambient conditions

Ambient temperature (operation)	-55 °C ... 130 °C
---------------------------------	-------------------

#### Material data

Contact material	Copper alloy
Contact surface material	Au/Sn
Height	19.9 mm

#### Electrical characteristics

Rated current	40 A (at 20 °C)
---------------	-----------------

# D-SUB power contact - VS-BU-LH-3,6/18/3,8 - 1655454

## Technical data

### Electrical characteristics

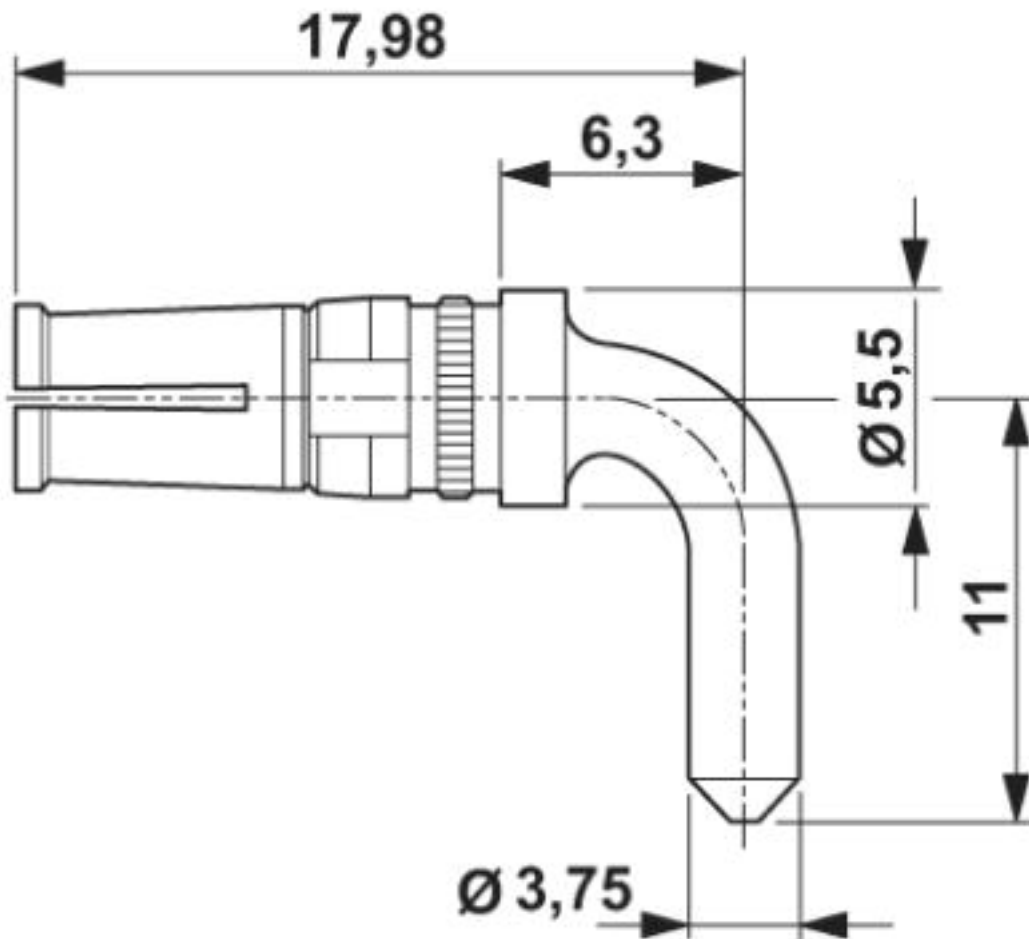
Test voltage	1000 V
--------------	--------

### Environmental Product Compliance

	Lead 7439-92-1
China RoHS	Environmentally Friendly Use Period = 50
	For details about hazardous substances go to tab "Downloads", Category "Manufacturer's declaration"

## Drawings

Dimensional drawing



D-SUB power contact socket

## Approvals

Approvals

## D-SUB power contact - VS-BU-LH-3,6/18/3,8 - 1655454

### Approvals

---

Approvals

EAC

---

Ex Approvals

---

### Approval details

EAC		B.01742
-----	---	---------

---

Phoenix Contact 2019 © - all rights reserved  
<http://www.phoenixcontact.com>

PHOENIX CONTACT GmbH & Co. KG  
Flachsmarktstr. 8  
32825 Blomberg  
Germany  
Tel. +49 5235 300  
Fax +49 5235 3 41200  
<http://www.phoenixcontact.com>