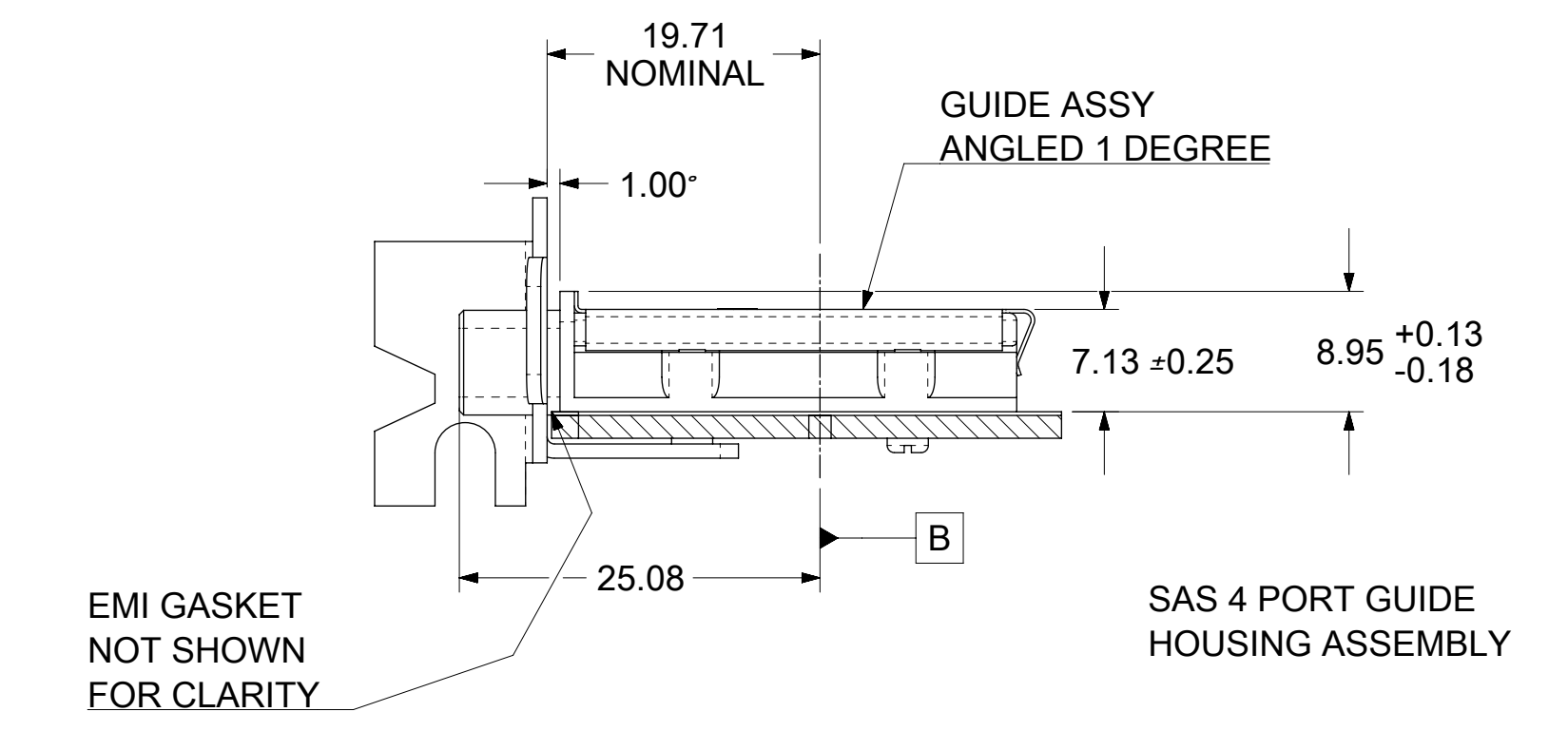


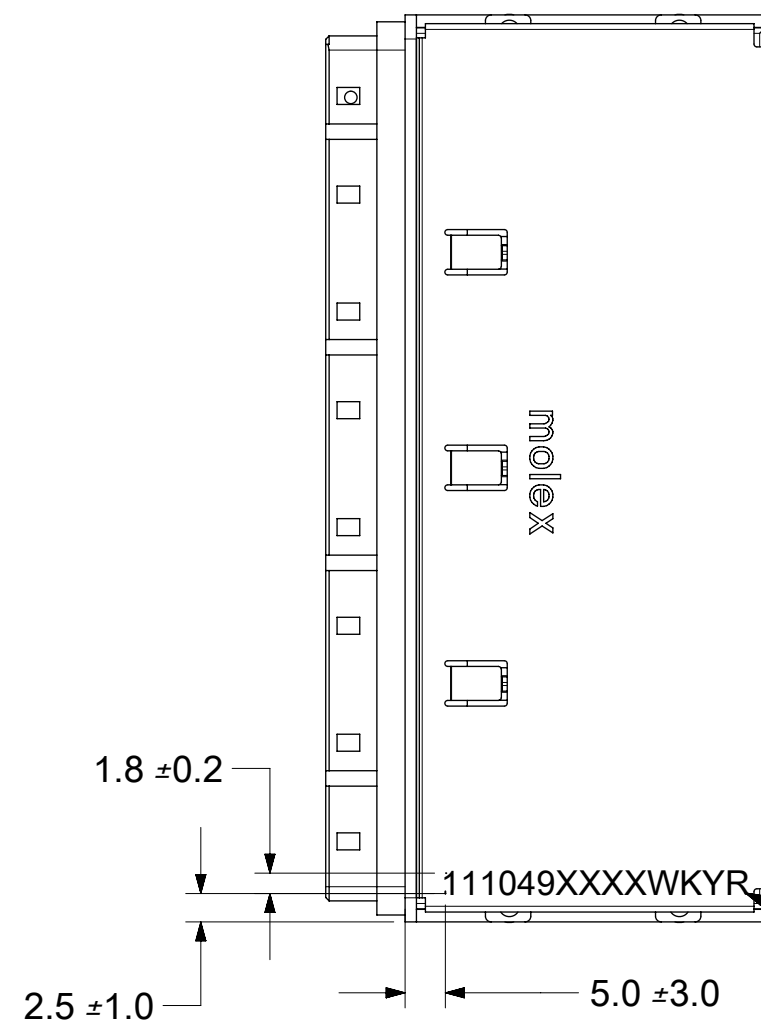
- NOTES:**
- REF. PCI EXPRESS CARD ELECTROMECHANICAL SPECIFICATION, REV 1.0a FOR BRACKET WINDOW LOCATION.
 - PCB AND BRACKET SHOWN FOR REFERENCE ONLY.
 - REF. SD-111048-100 FOR KEY POSITIONS
 - GUIDE HOUSING MOUNTING THREAD=M2 X 0.40, SEE SHEET 3 FOR SCREW LENGTH + TORQUE SPEC.
 - PLATE GROUND PAD WITH EMERSION SILVER OR GOLD.
 - MATERIAL:
GUIDE HOUSING - ZINC DIECAST, NICKEL PLATED
COVER - STAINLESS STEEL
 - THIS PRODUCT MEETS THE RESTRICTION OF HAZARDOUS SUBSTANCES IN ELECTRICAL AND ELECTRONIC EQUIPMENT (RoHS) DIRECTIVE (2002/95/EC)
 - GUIDE HOUSING PEGS FOR ALIGNMENT ONLY, DO NOT SOLDER.



PART NUMBER	PORT SIZE	KEY(S) PORT1	KEY(S) PORT2	KEY(S) PORT3	KEY(S) PORT4	IDENTIFIERS
-1110490117 VO	4	2,4	2,4	2,4	2,4	SAS 2.0 OUT PORT/END DEVICE
-1110490118 VO	4	4,6	4,6	4,6	4,6	SAS 2.0 IN PORT/END DEVICE
-1110490119 VO	4	4	4	4	4	SAS 2.0 UNIVERSAL PORT

THIS DRAWING CONTAINS INFORMATION THAT IS PROPRIETARY TO MOLEX ELECTRONIC TECHNOLOGIES, LLC AND SHOULD NOT BE USED WITHOUT WRITTEN PERMISSION

DIMENSION UNITS: mm	SCALE: 2:1	CURRENT REV DESC: OBSOLETE PART NUMBER	molex		
GENERAL TOLERANCES (UNLESS SPECIFIED)	ANGULAR TOL ± °	EC NO: 638770			
4 PLACES ±	3 PLACES ±	2 PLACES ±	1 PLACE ±	0 PLACES ±	DRWN: VLOKESHA 2020/04/27
					CHK'D: GGA 2020/07/21
					APPR: GGA 2020/07/21
					INITIAL REVISION:
					DRWN: NMUTHARAYAPP 2018/12/24
					APPR: RCHEN08 2019/01/15
DRAFT WHERE APPLICABLE MUST REMAIN WITHIN DIMENSIONS	THIRD ANGLE PROJECTION	DRAWING: C-SIZE	SERIES: 111049	MATERIAL NUMBER: SEE CHART	CUSTOMER: 1110490100
					DOC TYPE: PSD
					DOC PART: ASY
					REVISION: D1
					SHEET NUMBER: 1 OF 5

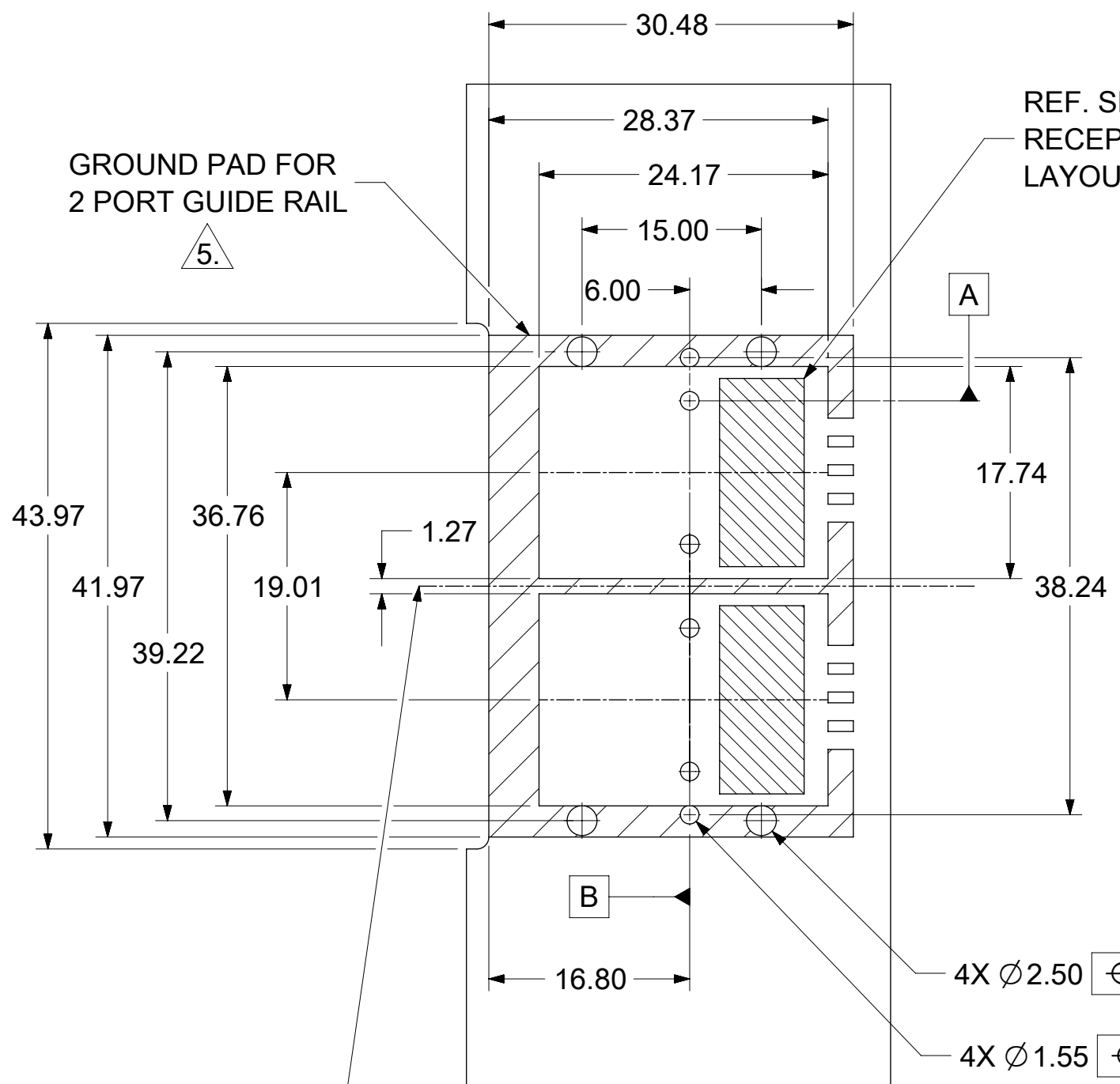


P/N AND WEEK/YEAR DATE CODE TO BE PRINTED ON THE TOP OF COMPLETED CAGE ASSEMBLY AS SHOWN. SEE TABLE BELOW FOR DATE CODE INFORMATION.

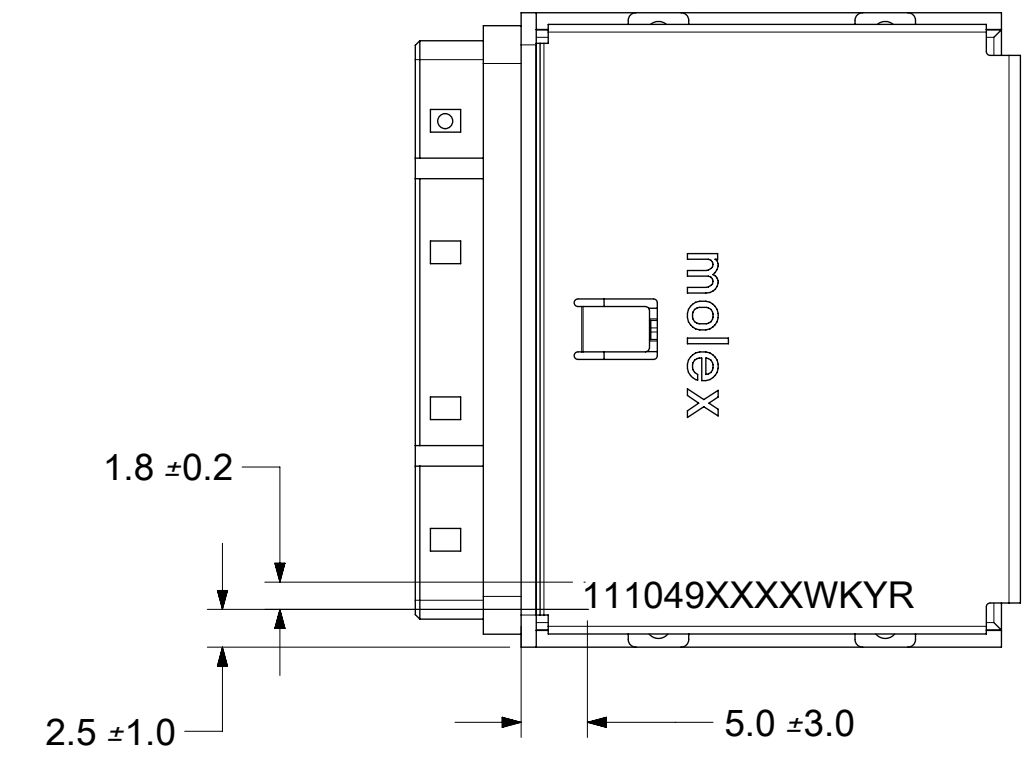
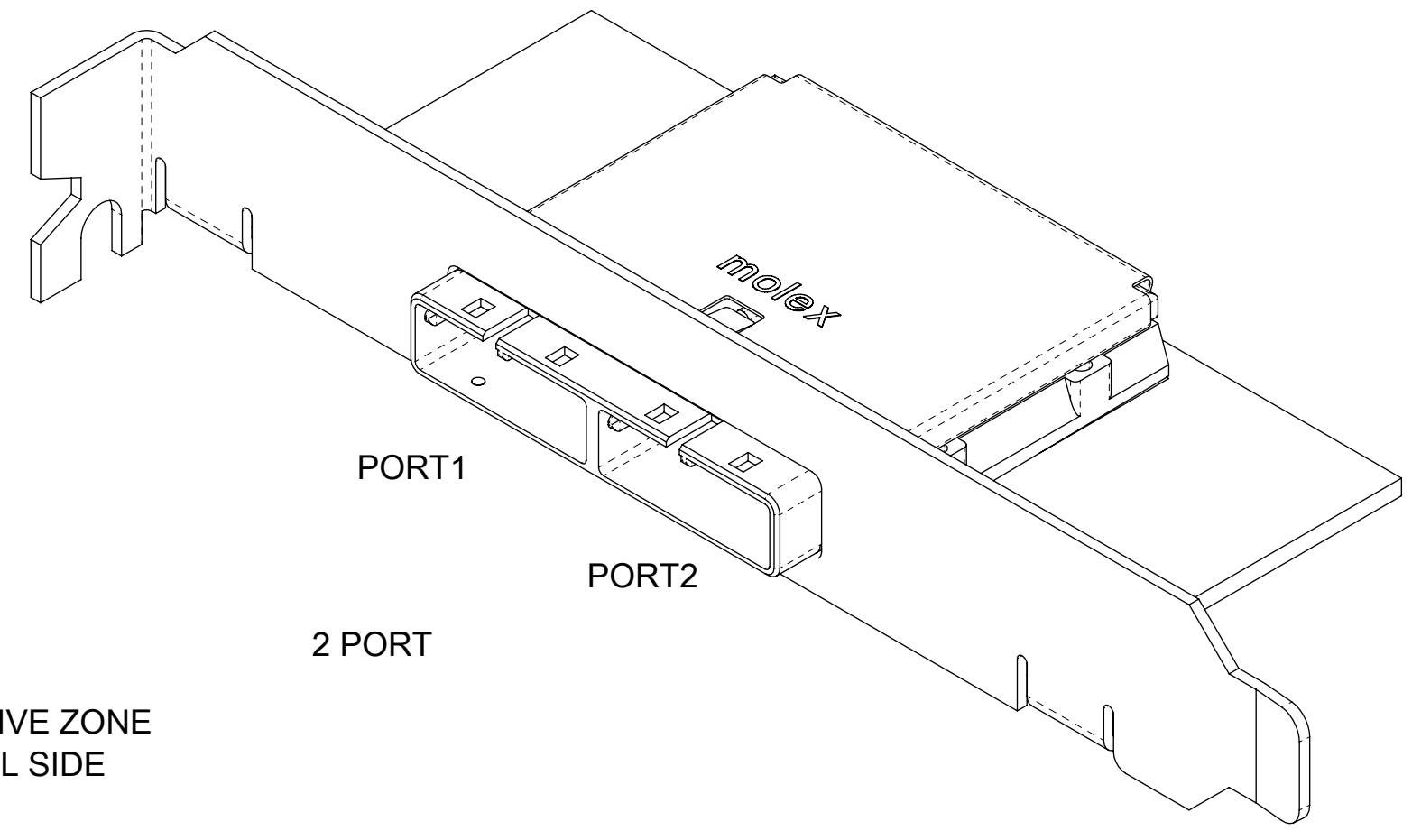
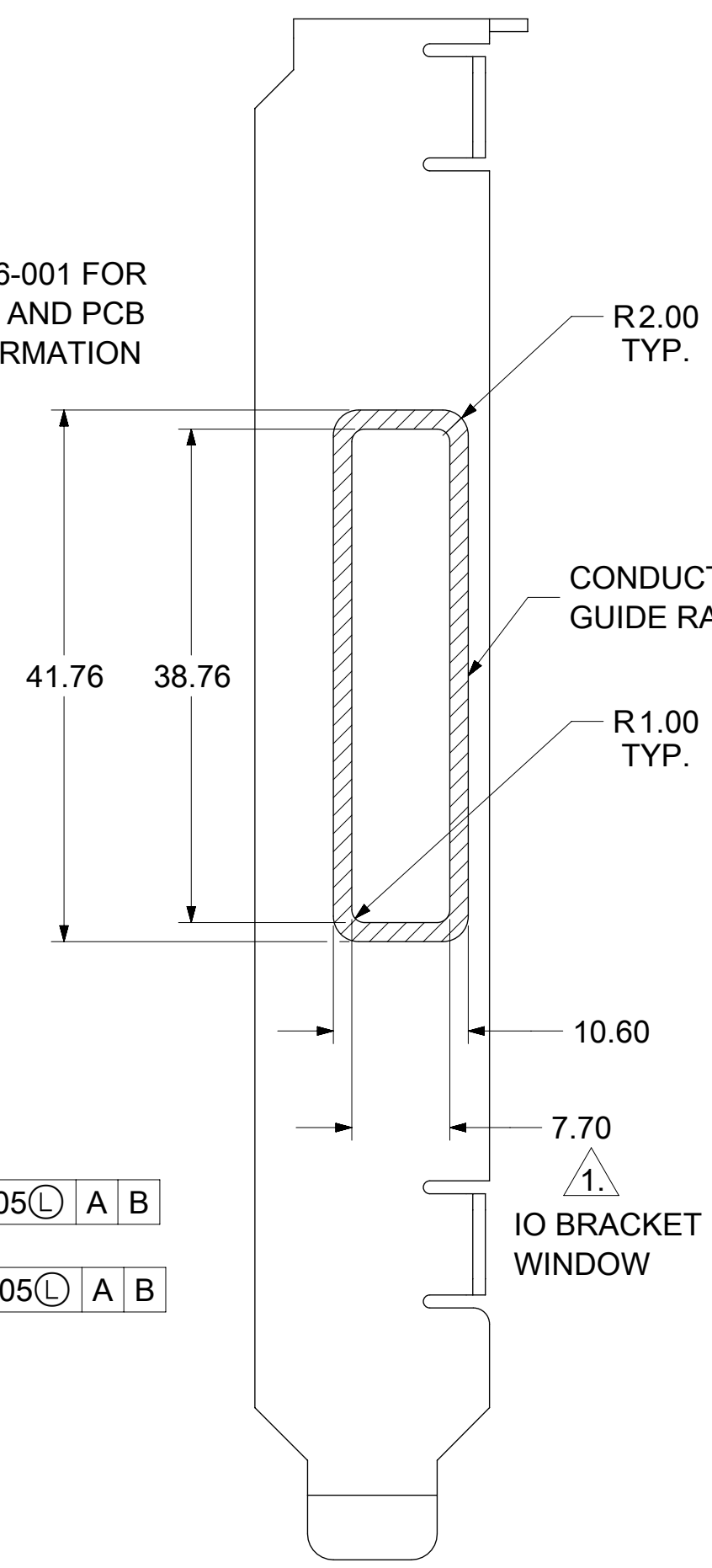
WEEK/YEAR DATE CODE TABLE	
WK	WEEK OF THE YEAR 01 THRU 52 (EXAMPLE: 01= FIRST WEEK OF YEAR 52= LAST WEEK OF YEAR)
YR	19, 20, 21 ETC.. (EXAMPLE: YEAR 2019= 19)

THIS DRAWING CONTAINS INFORMATION THAT IS PROPRIETARY TO MOLEX ELECTRONIC TECHNOLOGIES, LLC AND SHOULD NOT BE USED WITHOUT WRITTEN PERMISSION										
DIMENSION UNITS	SCALE	CURRENT REV DESC: OBSOLETE PART NUMBER			molex					
mm	1.5:1									
GENERAL TOLERANCES (UNLESS SPECIFIED)					IPASS SAS 2.0 26CKT GUIDE HOUSING ASSEMBLY 1 DEGREE, MULTI PORT					
ANGULAR TOL	± °				PRODUCT CUSTOMER DRAWING					
4 PLACES	±	EC NO: 638770								
3 PLACES	±	DRWN: VLOKESHA 2020/04/27								
2 PLACES	±	CHK'D: GGA 2020/07/21								
1 PLACE	±	APPR: GGA 2020/07/21								
0 PLACES	±	INITIAL REVISION:			DOCUMENT NUMBER					
		DRWN: NMUTHARAYAPP 2018/12/24			1110490100			DOC TYPE	DOC PART	REVISION
		APPR: RCHEN08 2019/01/15						PSD	ASY	D1
DRAFT WHERE APPLICABLE MUST REMAIN WITHIN DIMENSIONS		THIRD ANGLE PROJECTION	DRAWING	SERIES	MATERIAL NUMBER	CUSTOMER	SHEET NUMBER			
			C-SIZE	111049	SEE CHART		2 OF 5			

DOCUMENT STATUS	P1	RELEASE DATE	2020/07/21	04:44:26
-----------------	----	--------------	------------	----------



43.22
(MIN CENTER TO CENTER RAIL SPACING USING M2X0.4 FLAT HEAD OR BUTTON HEAD SCREWS)



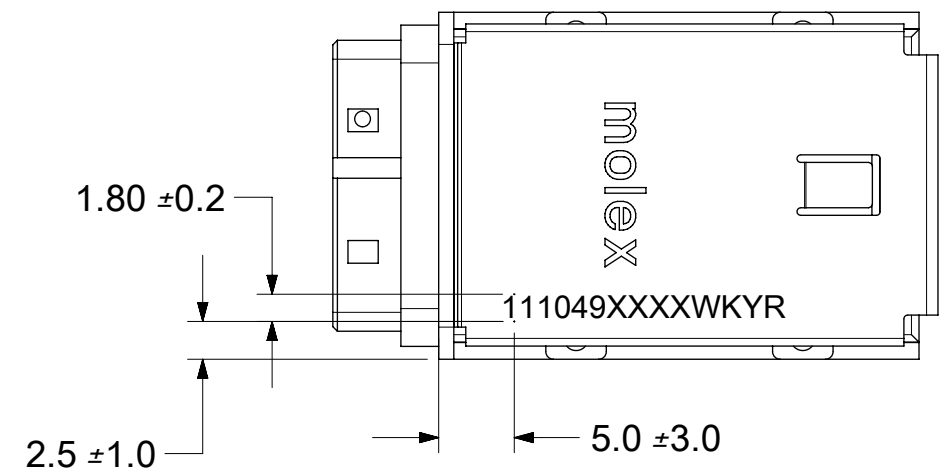
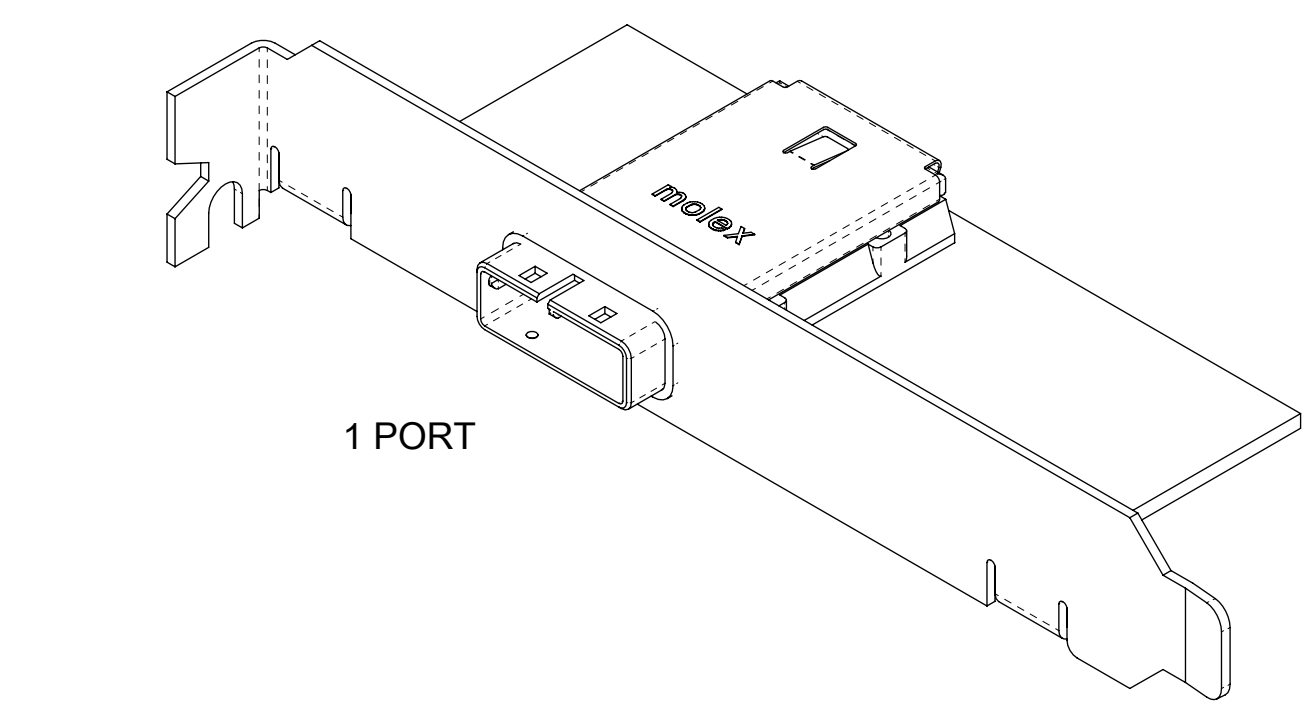
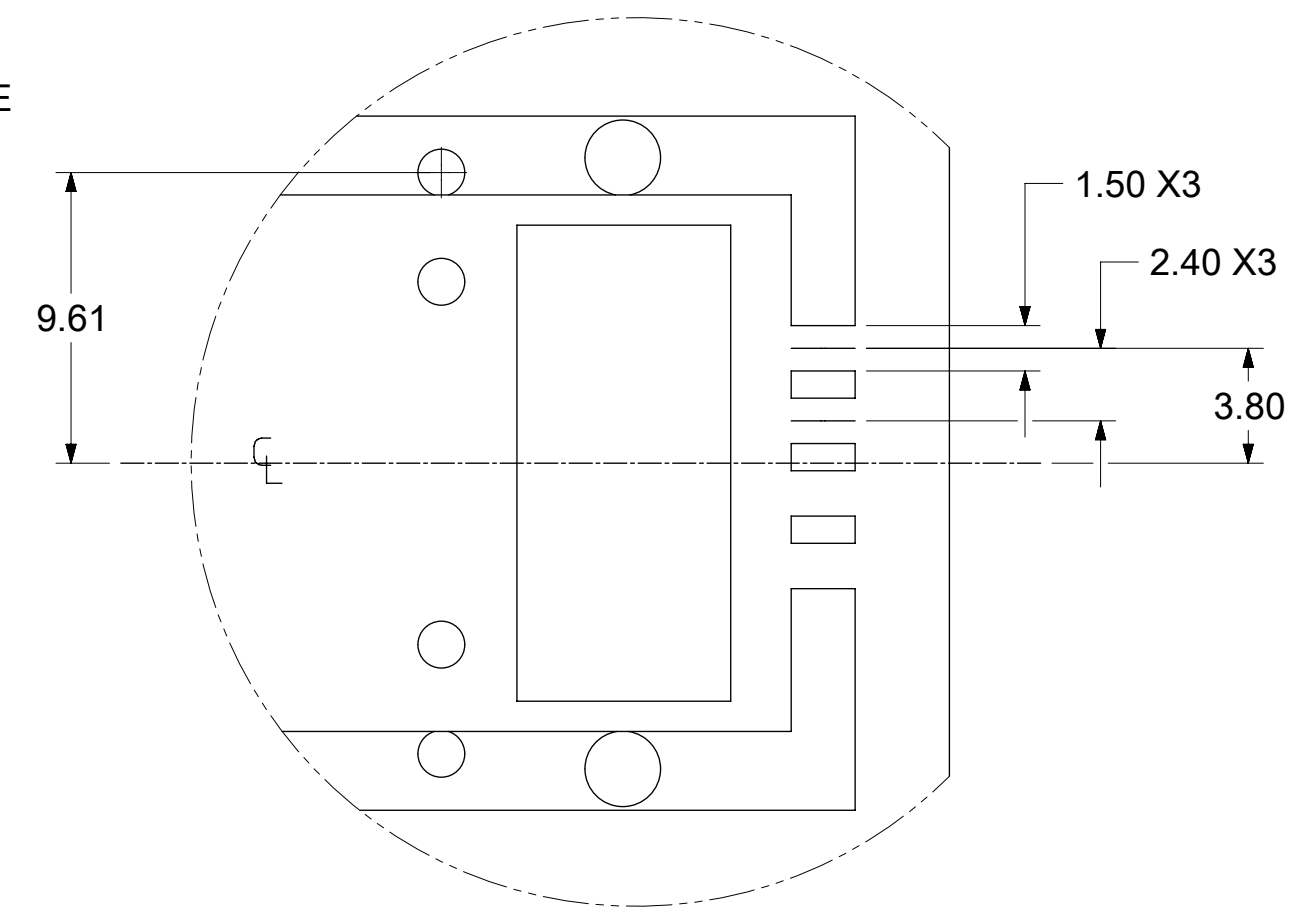
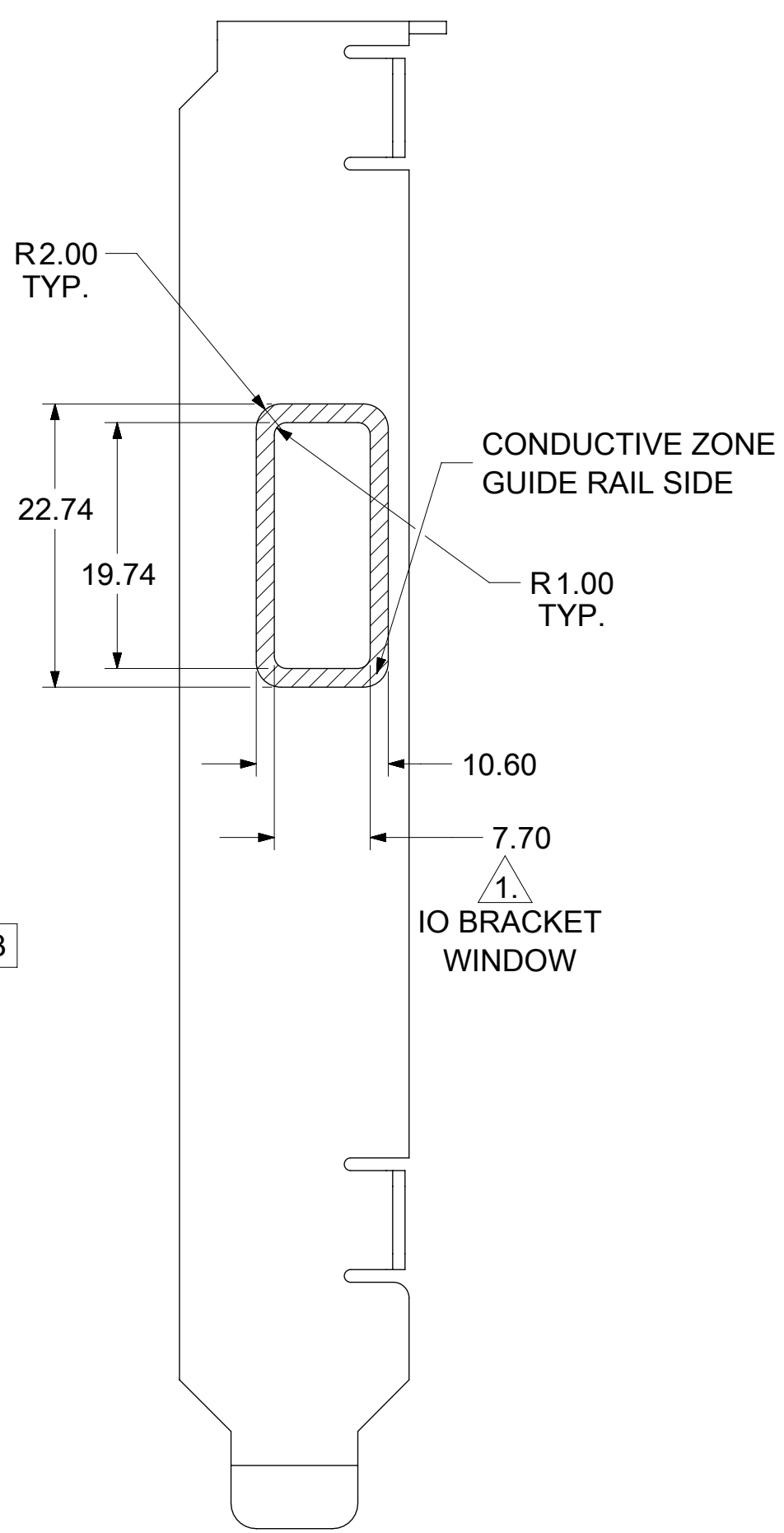
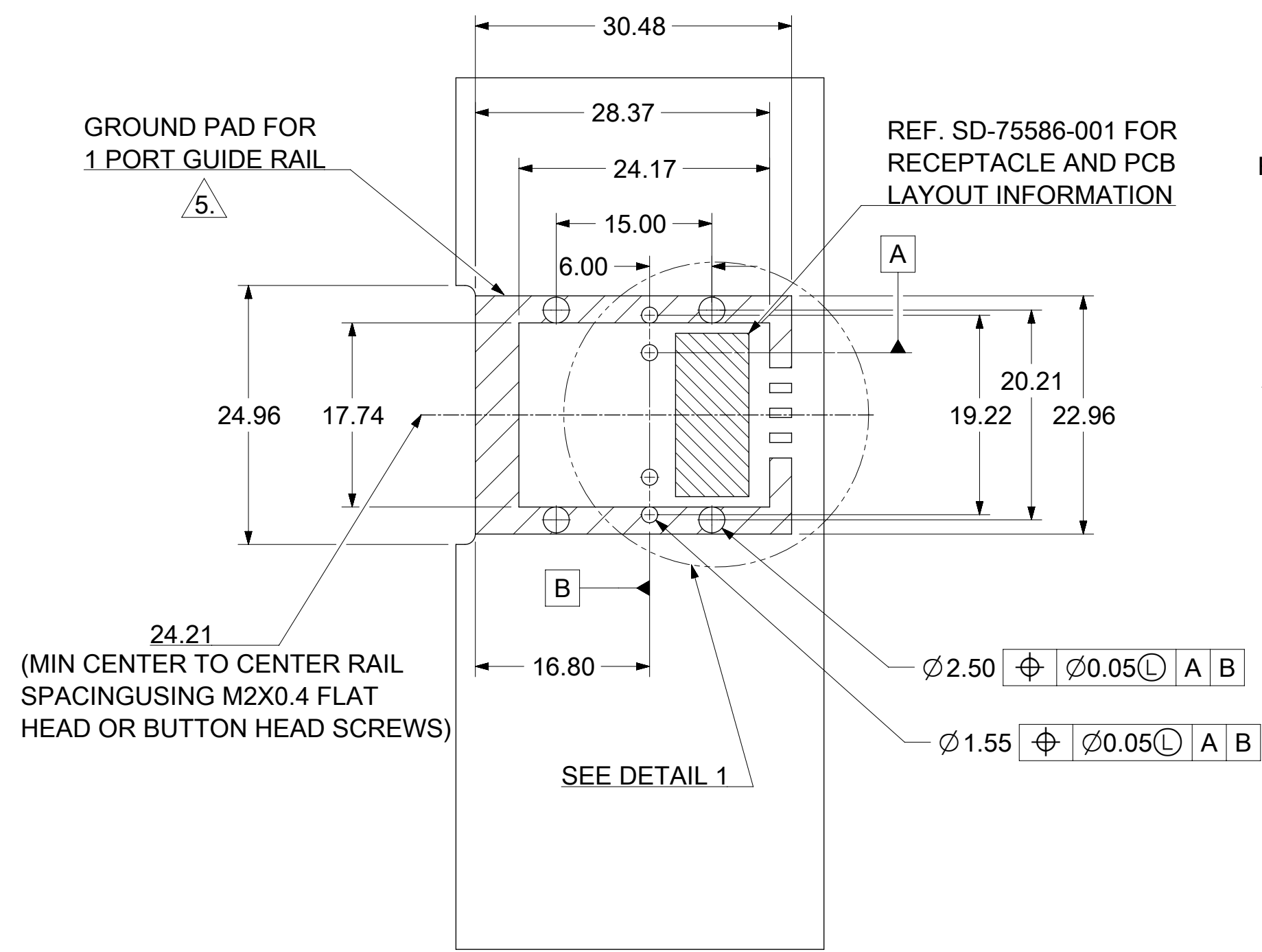
P/N AND WEEK/YEAR DATE CODE TO BE PRINTED ON THE TOP OF COMPLETED CAGE ASSEMBLY AS SHOWN. SEE TABLE BELOW FOR DATE CODE INFORMATION.

WEEK/YEAR DATE CODE TABLE	
WK	WEEK OF THE YEAR 01 THRU 52 (EXAMPLE: 01= FIRST WEEK OF YEAR 52= LAST WEEK OF YEAR)
YR	19, 20, 21 ETC.. (EXAMPLE: YEAR 2019= 19)

PART NUMBER	PORT SIZE	KEY(S) PORT1	KEY(S) PORT2	IDENTIFIERS
1110490114 VO	2	2,4	2,4	SAS 2.0 OUT PORT/END DEVICE
1110490115 VO	2	4,6	4,6	SAS 2.0 IN PORT/END DEVICE
1110490116	2	4	4	SAS 2.0 UNIVERSAL PORT

THIS DRAWING CONTAINS INFORMATION THAT IS PROPRIETARY TO MOLEX ELECTRONIC TECHNOLOGIES, LLC AND SHOULD NOT BE USED WITHOUT WRITTEN PERMISSION

DIMENSION UNITS	SCALE	CURRENT REV DESC: OBSOLETE PART NUMBER		molex	
mm	2:1				
GENERAL TOLERANCES (UNLESS SPECIFIED)				IPASS SAS 2.0 26CKT GUIDE HOUSING ASSEMBLY 1 DEGREE, MULTI PORT	
ANGULAR TOL	± °			PRODUCT CUSTOMER DRAWING	
4 PLACES	±	EC NO: 638770	2020/04/27	DOCUMENT NUMBER	
3 PLACES	±	DRWN: VLOKESHA	2020/07/21	1110490100	
2 PLACES	±	CHK'D: GGA	2020/07/21	DOC TYPE	DOC PART
1 PLACE	±	APPR: GGA	2020/07/21	PSD	ASY
0 PLACES	±	INITIAL REVISION:		D1	
DRAFT WHERE APPLICABLE MUST REMAIN WITHIN DIMENSIONS		DRWN: NMUTHARAYAPP	2018/12/24	MATERIAL NUMBER	
THIRD ANGLE PROJECTION		APPR: RCHEN08	2019/01/15	CUSTOMER	
DRAWING		SERIES		SHEET NUMBER	
C-SIZE		111049		3 OF 5	



P/N AND WEEK/YEAR DATE CODE TO BE PRINTED ON THE TOP OF COMPLETED CAGE ASSEMBLY AS SHOWN. SEE TABLE BELOW FOR DATE CODE INFORMATION.

WEEK/YEAR DATE CODE TABLE	
WK	WEEK OF THE YEAR 01 THRU 52 (EXAMPLE: 01= FIRST WEEK OF YEAR 52= LAST WEEK OF YEAR)
YR	19, 20, 21 ETC.. (EXAMPLE: YEAR 2019= 19)

PART NUMBER	PORT SIZE	KEY(S)	IDENTIFIERS
4110490111 VO	1	2,4	SAS 2.0 OUT PORT/END DEVICE
4110490112 VO	1	4,6	SAS 2.0 IN PORT/END DEVICE
1110490113	1	4	SAS 2.0 UNIVERSAL PORT

PCB THICKNESS	SCREW LENGTH	TORQUE(IN LBS)
1.6	5MM	2.3
2.38	6MM	2.3
3.2	6MM	2.3
X	+4MM MAX	2.3

THIS DRAWING CONTAINS INFORMATION THAT IS PROPRIETARY TO MOLEX ELECTRONIC TECHNOLOGIES, LLC AND SHOULD NOT BE USED WITHOUT WRITTEN PERMISSION

DIMENSION UNITS	SCALE	CURRENT REV DESC: OBSOLETE PART NUMBER	molex		
mm	1:1				
GENERAL TOLERANCES (UNLESS SPECIFIED)			IPASS SAS 2.0 26CKT GUIDE HOUSING ASSEMBLY 1 DEGREE, MULTIPORT		
ANGULAR TOL	± °	EC NO: 638770	PRODUCT CUSTOMER DRAWING		
4 PLACES	±	DRWN: VLOKESHA 2020/04/27	DOCUMENT NUMBER		
3 PLACES	±	CHK'D: GGA 2020/07/21	1110490100		
2 PLACES	±	APPR: GGA 2020/07/21	PSD ASY D1		
1 PLACE	±	INITIAL REVISION:	MATERIAL NUMBER		
0 PLACES	±	DRWN: NMUTHARAYAPP 2018/12/24	CUSTOMER		
DRAFT WHERE APPLICABLE MUST REMAIN WITHIN DIMENSIONS			SHEET NUMBER		
THIRD ANGLE PROJECTION			4 OF 5		
DRAWING		SERIES		SEE CHART	
C-SIZE		111049			

H
G
F
E
D
C
B
A

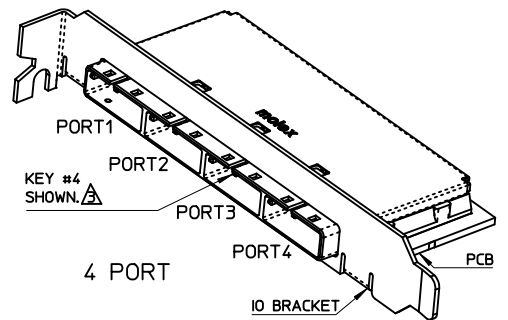
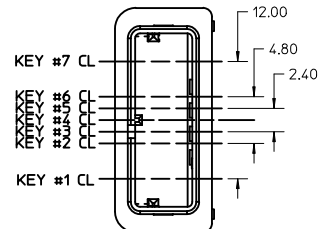
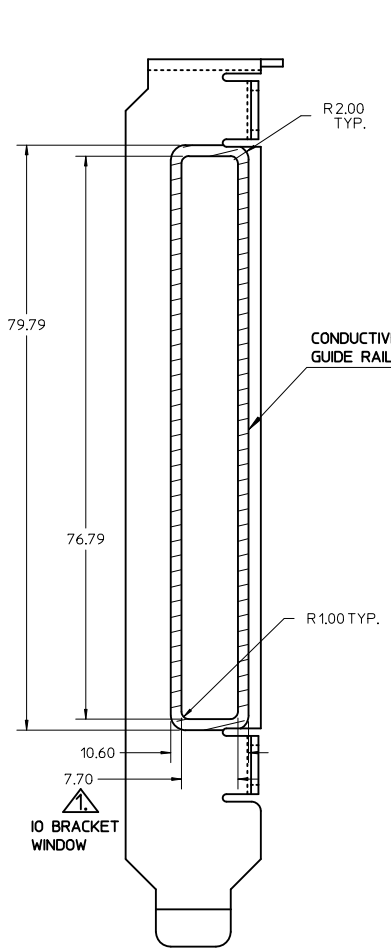
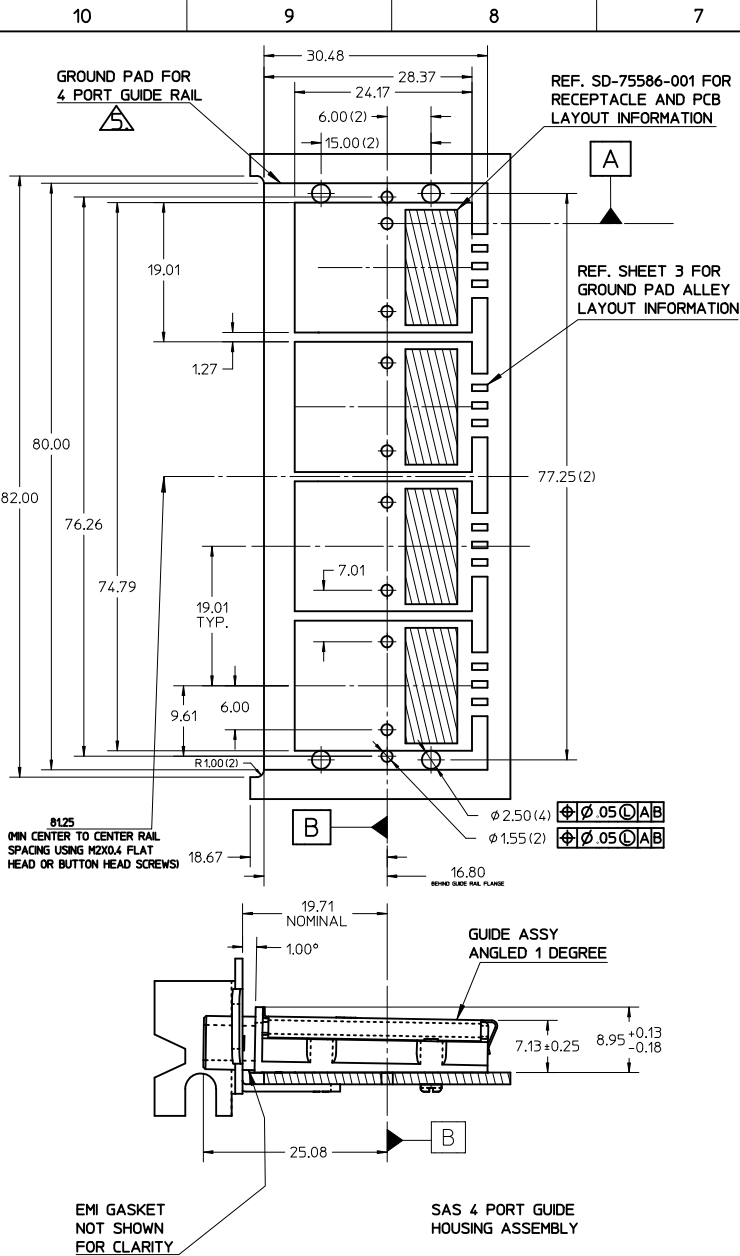
REV	DATE	DESCRIPTION
D	2018/12/24	1. REMASTERD FROM SD-111049-100 REV_C TO 1110490100 PSD ASY REV_D IN NX 2. SHEET 2 ADDED FOR FOR DATE CODE REPRESENTATION ON TOP VIEW. 3. SHEET 3 : D3: ADDED TOP VIEW FOR DATE CODE REPRESENTATION. 4. SHEET 4 : D2: ADDED TOP VIEW FOR DATE CODE REPRESENTATION. 5. SHEET 5 : ADDED REVISION HISTORY
D1	2020/04/27	OBSOLETED PART NUMBER 1110490111/12/14/15/17/18/19

THIS DRAWING CONTAINS INFORMATION THAT IS PROPRIETARY TO MOLEX ELECTRONIC TECHNOLOGIES, LLC AND SHOULD NOT BE USED WITHOUT WRITTEN PERMISSION

DIMENSION UNITS	SCALE	CURRENT REV DESC: OBSOLETED PART NUMBER		molex			
mm	1:1						
GENERAL TOLERANCES (UNLESS SPECIFIED)				IPASS SAS 2.0 26CKT GUIDE HOUSING ASSEMBLY 1 DEGREE, MULTIPOST			
ANGULAR TOL	± °			PRODUCT CUSTOMER DRAWING			
4 PLACES	±	EC NO: 638770					
3 PLACES	±	DRWN: VLOKESHA		2020/04/27			
2 PLACES	±	CHK'D: GGA		2020/07/21			
1 PLACE	±	APPR: GGA		2020/07/21			
0 PLACES	±	INITIAL REVISION:		DOCUMENT NUMBER			
		DRWN: NMUTHARAYAPP		2018/12/24		1110490100	
		APPR: RCHEN08		2019/01/15		PSD ASY D1	
DRAFT WHERE APPLICABLE MUST REMAIN WITHIN DIMENSIONS		THIRD ANGLE PROJECTION	DRAWING	SERIES	MATERIAL NUMBER	CUSTOMER	SHEET NUMBER
			C-SIZE	111049	SEE CHART		5 OF 5

DOCUMENT STATUS	P1	RELEASE DATE	2020/07/21	04:44:26
-----------------	----	--------------	------------	----------

FOR MAFI: master @ psd-c
REVISION: J
DATE: 2020/07/14

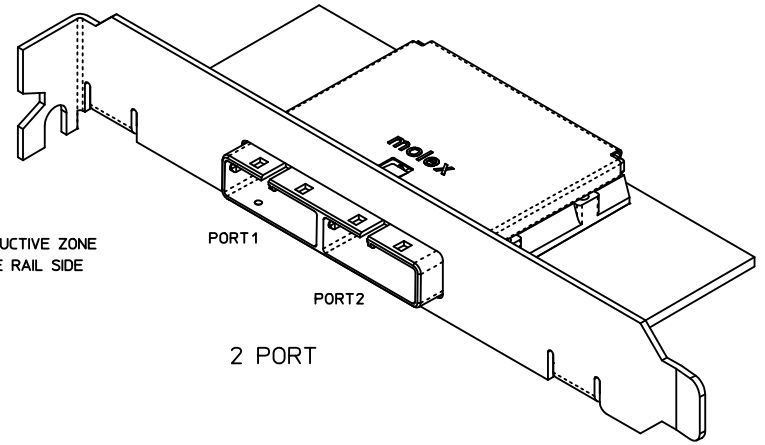
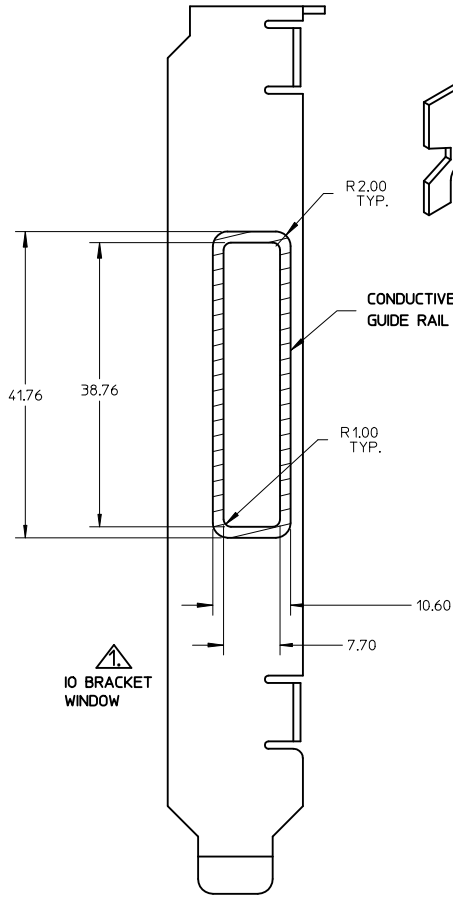
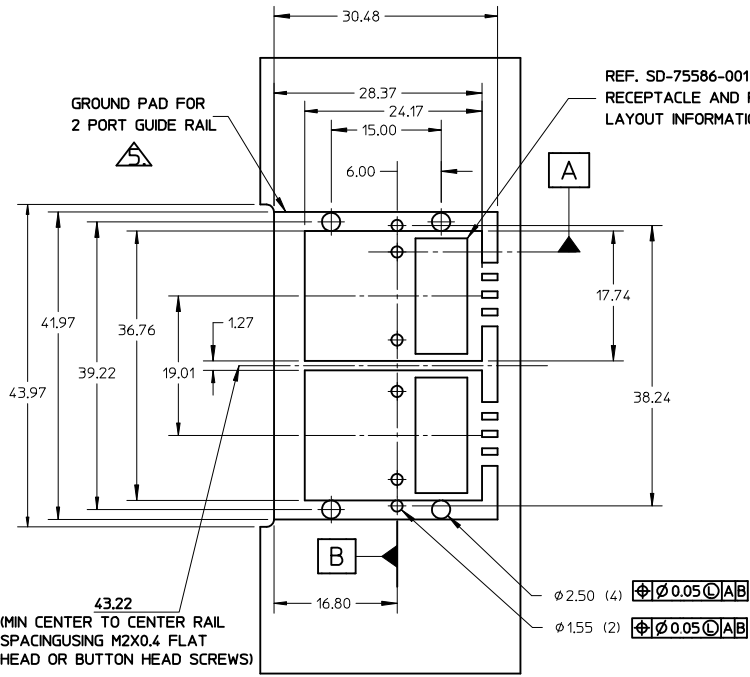


SAS 2.0 KEYWAY IN KEY #3 POSITION

- NOTES:
- REF. PCI EXPRESS CARD ELECTROMECHANICAL SPECIFICATION, REV 1.0a FOR BRACKET WINDOW LOCATION.
 - PCB AND BRACKET SHOWN FOR REFERENCE ONLY.
 - REF. SD-111048-100 FOR KEY POSITIONS
 - GUIDE HOUSING MOUNTING THREAD= M2 X 0.40, SEE SHEET 3 FOR SCREW LENGTH + TORQUE SPEC.
 - PLATE GROUND PAD WITH EMERSON SILVER OR GOLD.
 - MATERIAL:
GUIDE HOUSING - ZINC DIECAST, NICKEL PLATED
COVER - STAINLESS STEEL
 - THIS PRODUCT MEETS THE RESTRICTION OF HAZARDOUS SUBSTANCES IN ELECTRICAL AND ELECTRONIC EQUIPMENT (RoHS) DIRECTIVE (2002/95/EC)
 - GUIDE HOUSING PEGS FOR ALIGNMENT ONLY, DO NOT SOLDER.

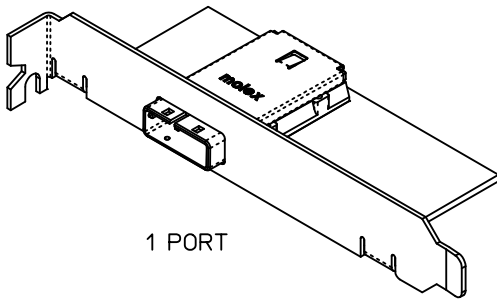
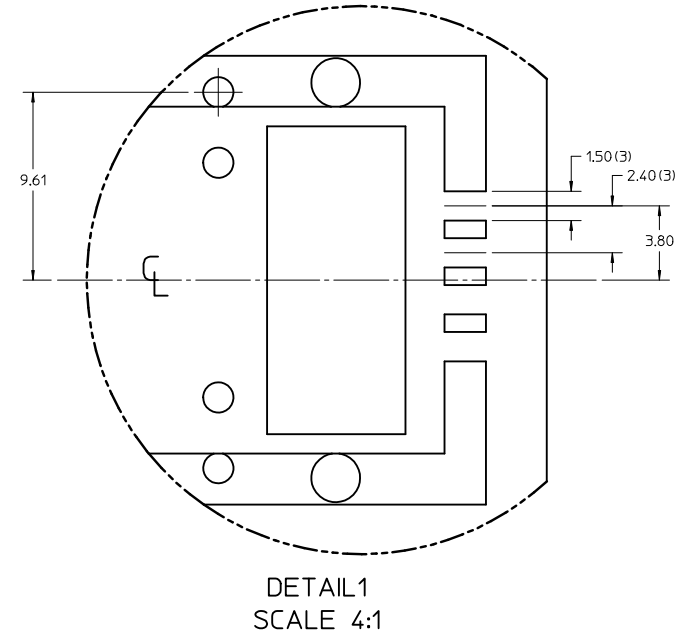
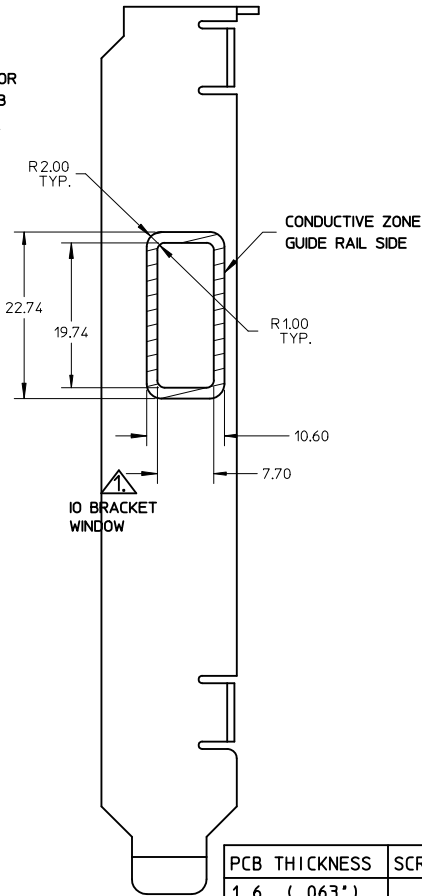
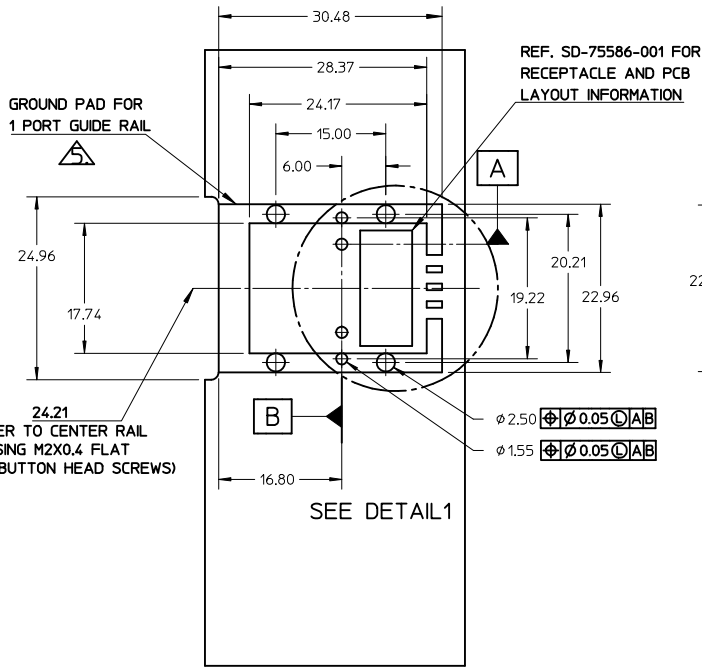
PART NUMBER	PORT SIZE	KEY(S) PORT1	KEY(S) PORT2	KEY(S) PORT3	KEY(S) PORT4	IDENTIFIERS
1110490117	4	2,4	2,4	2,4	2,4	SAS 2.0 OUT PORT/END DEVICE
1110490118	4	4,6	4,6	4,6	4,6	SAS 2.0 IN PORT/END DEVICE
1110490119	4	4	4	4	4	SAS 2.0 UNIVERSAL PORT

UPDATE TOLERANCE EC NO: USY2010-0481 DRWNR:SECRET 2010/01/21 CHKDR:SYTSMH 2010/01/21 APPR:DDOYE 2010/04/22	QUALITY SYMBOLS ▽=0 ▽=0	GENERAL TOLERANCES (UNLESS SPECIFIED) mm INCH 4 PLACES ± --- ± --- 3 PLACES ± --- ± --- 2 PLACES ± 0.13 ± --- 1 PLACE ± 0.25 ± --- ANGULAR ± 1°	DIMENSION STYLE MM ONLY DRAWN BY DATE BREED 2008/10/06 CHECKED BY DATE DDOYE 2008/10/06 APPROVED BY DATE DDOYE 2008/10/06	SCALE 1:1 DESIGN UNITS METRIC THIRD ANGLE PROJECTION	TITLE IPASS SAS 2.0 26CKT GUIDE HOUSING ASSEMBLY 1 DEGREE, MULTIPORT
	DRAFT WHERE APPLICABLE MUST REMAIN WITHIN DIMENSIONS	MATERIAL NO. SEE CHART	DOCUMENT NO. SD-111049-100	SHEET NO. 1 OF 3	
	THIS DRAWING CONTAINS INFORMATION THAT IS PROPRIETARY TO MOLEX INCORPORATED AND SHOULD NOT BE USED WITHOUT WRITTEN PERMISSION				
	MOLEX INCORPORATED				



PART NUMBER	PORT SIZE	KEY(S) PORT1	KEY(S) PORT2	IDENTIFIERS
1110490114	2	2.4	2.4	SAS 2.0 OUT PORT/END DEVICE
1110490115	2	4.6	4.6	SAS 2.0 IN PORT/END DEVICE
1110490116	2	4	4	SAS 2.0 UNIVERSAL PORT

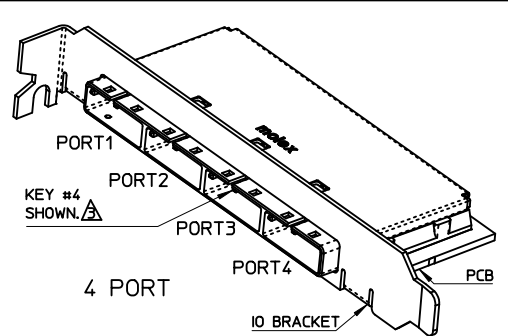
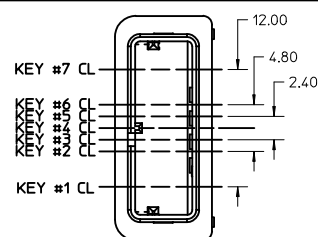
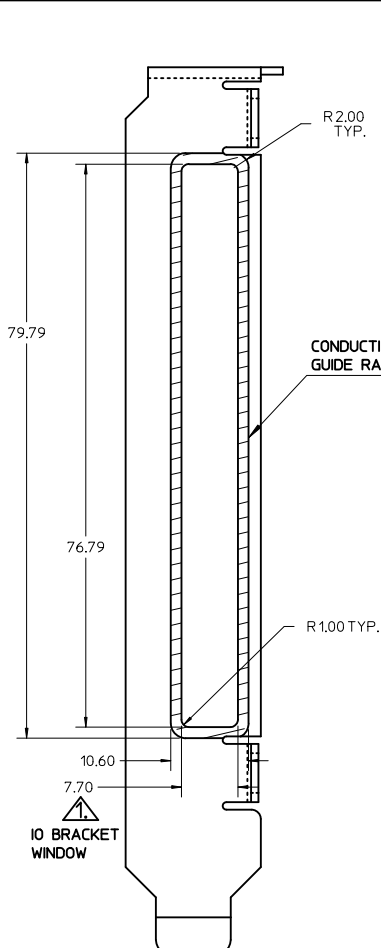
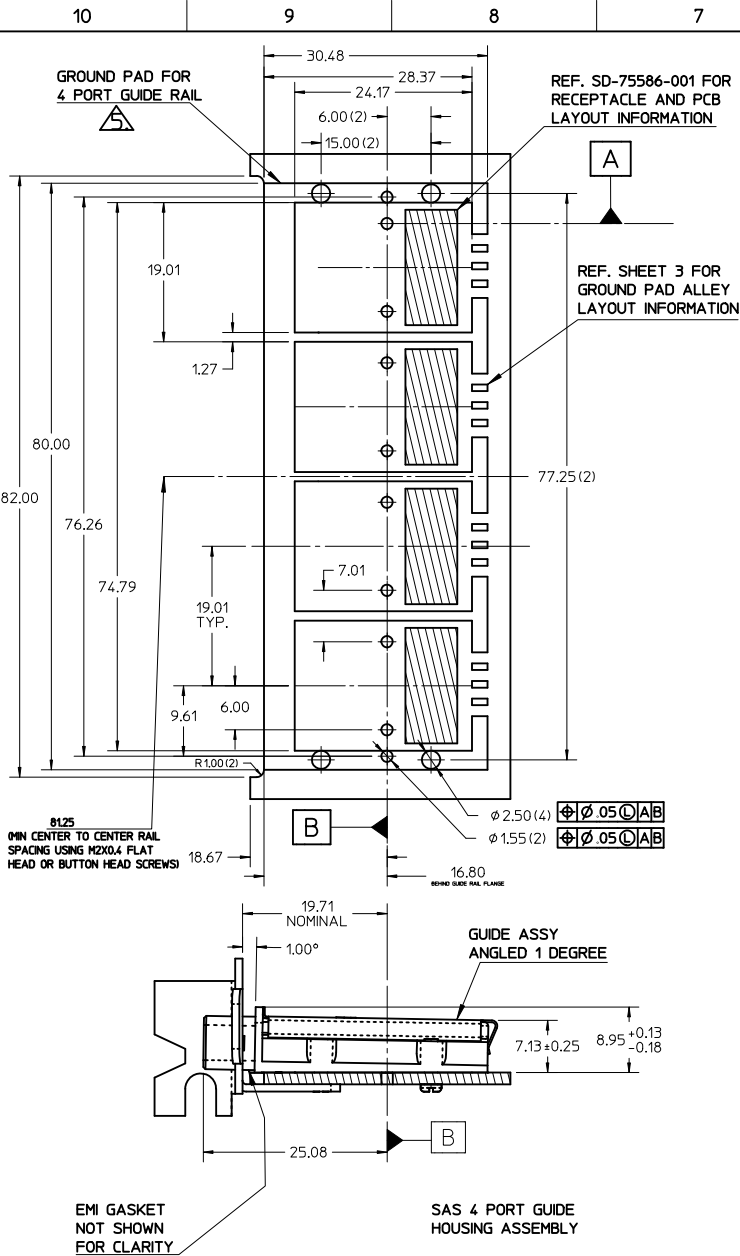
UPDATE TOLERANCE EC NO: USY2010-0481 DRWNR:SECRET 2010/01/21 CHKDR:SYTSM 2010/01/21 APPR:DDOYE 2010/04/22	DESCRIPTION REV	QUALITY SYMBOLS	GENERAL TOLERANCES (UNLESS SPECIFIED)	DIMENSION STYLE	SCALE	DESIGN UNITS	THIRD ANGLE PROJECTION	
		$\nabla=0$ $\nabla=0$	mm INCH 4 PLACES \pm --- \pm --- 3 PLACES \pm --- \pm --- 2 PLACES \pm 0.13 \pm --- 1 PLACE \pm 0.25 \pm --- ANGULAR \pm 1°	MM ONLY	1:1	METRIC	DRAWN BY DATE BREED 2008/10/06 CHECKED BY DATE DDOYE 2008/10/06 APPROVED BY DATE DDOYE 2008/10/06	TITLE
		DRAFT WHERE APPLICABLE MUST REMAIN WITHIN DIMENSIONS	SEE CHART	MATERIAL NO.	DOCUMENT NO.	SHEET NO.		
		IPASS SAS 2.0 26CKT GUIDE HOUSING ASSEMBLY 1 DEGREE, MULTIPORT MOLEX INCORPORATED	SD-111049-100	2 OF 3	THIS DRAWING CONTAINS INFORMATION THAT IS PROPRIETARY TO MOLEX INCORPORATED AND SHOULD NOT BE USED WITHOUT WRITTEN PERMISSION			



PCB THICKNESS	SCREW LENGTH	TORQUE (IN LBS)
1.6 (.063')	5MM	2.3
2.38 (.093')	6MM	2.3
3.2 (.125')	6MM	2.3
X	+4MM MAX	2.3

PART NUMBER	PORT SIZE	KEY(S)	IDENTIFIERS
1110490111	1	2, 4	SAS 2.0 OUT PORT/END DEVICE
1110490112	1	4, 6	SAS 2.0 IN PORT/END DEVICE
1110490113	1	4	SAS 2.0 UNIVERSAL PORT

UPDATE TOLERANCE EC NO: USY2010-0481 DRWNR:SECRET 2010/01/21 CHKDR:PSYISMA 2010/01/21 APPR:DDOYE 2010/04/22	QUALITY SYMBOLS ▽=0 ▽=0	GENERAL TOLERANCES (UNLESS SPECIFIED) mm INCH 4 PLACES ± --- ± --- 3 PLACES ± --- ± --- 2 PLACES ± 0.13 ± --- 1 PLACE ± 0.25 ± --- ANGULAR ± 1°	DIMENSION STYLE MM ONLY DRAWN BY DATE BREED 2008/10/06 CHECKED BY DATE DDOYE 2008/10/06 APPROVED BY DATE DDOYE 2008/10/06	SCALE 1:1 DESIGN UNITS METRIC THIRD ANGLE PROJECTION
	DRAFT WHERE APPLICABLE MUST REMAIN WITHIN DIMENSIONS		MATERIAL NO. SEE CHART	TITLE IPASS SAS 2.0 26CKT GUIDE HOUSING ASSEMBLY 1 DEGREE, MULTIPORT MOLEX INCORPORATED
			DOCUMENT NO. SD-111049-100	SHEET NO. 3 OF 3
	THIS DRAWING CONTAINS INFORMATION THAT IS PROPRIETARY TO MOLEX INCORPORATED AND SHOULD NOT BE USED WITHOUT WRITTEN PERMISSION			

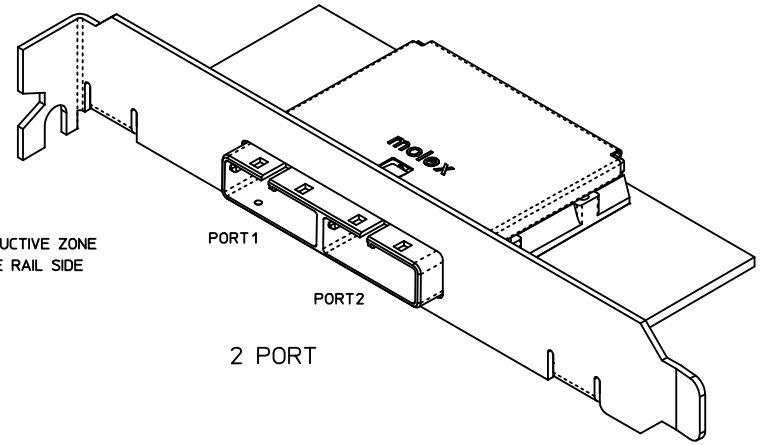
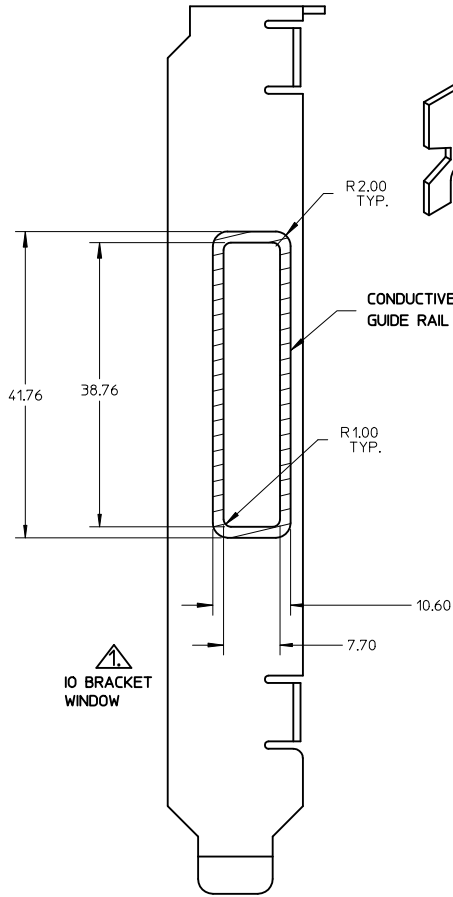
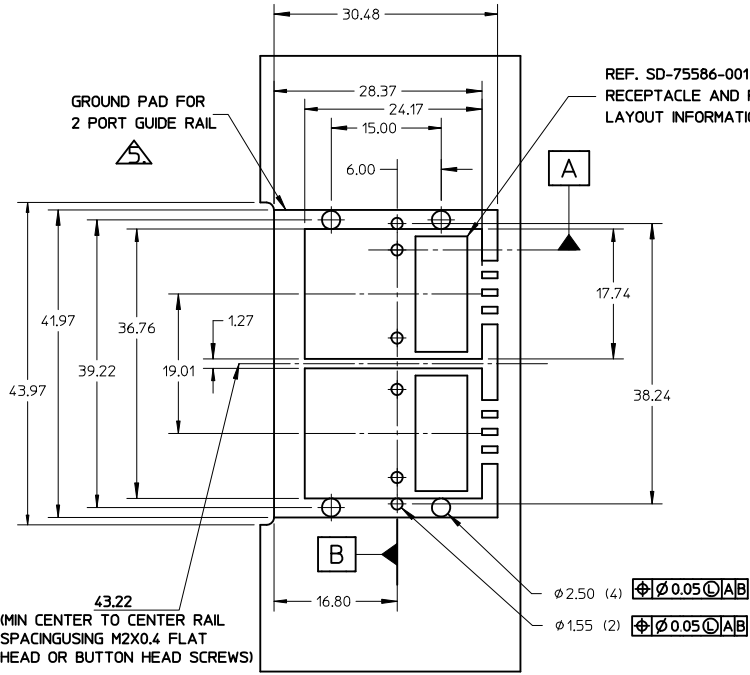


SAS 2.0 KEYWAY IN KEY #3 POSITION

- NOTES:
- REF. PCI EXPRESS CARD ELECTROMECHANICAL SPECIFICATION, REV 1.0a FOR BRACKET WINDOW LOCATION.
 - PCB AND BRACKET SHOWN FOR REFERENCE ONLY.
 - REF. SD-111048-100 FOR KEY POSITIONS
 - GUIDE HOUSING MOUNTING THREAD= M2 X 0.40, SEE SHEET 3 FOR SCREW LENGTH + TORQUE SPEC.
 - PLATE GROUND PAD WITH EMERSON SILVER OR GOLD.
 - MATERIAL:
GUIDE HOUSING - ZINC DIECAST, NICKEL PLATED
COVER - STAINLESS STEEL
 - THIS PRODUCT MEETS THE RESTRICTION OF HAZARDOUS SUBSTANCES IN ELECTRICAL AND ELECTRONIC EQUIPMENT (RoHS) DIRECTIVE (2002/95/EC)
 - GUIDE HOUSING PEGS FOR ALIGNMENT ONLY, DO NOT SOLDER.

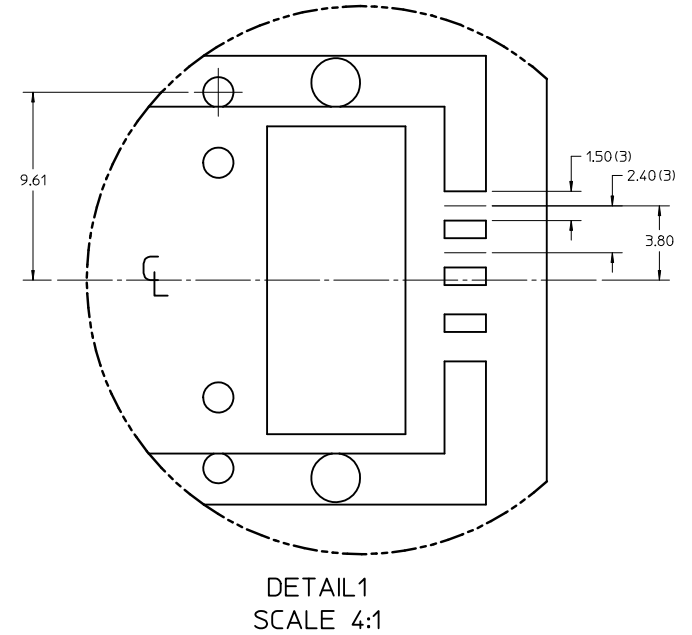
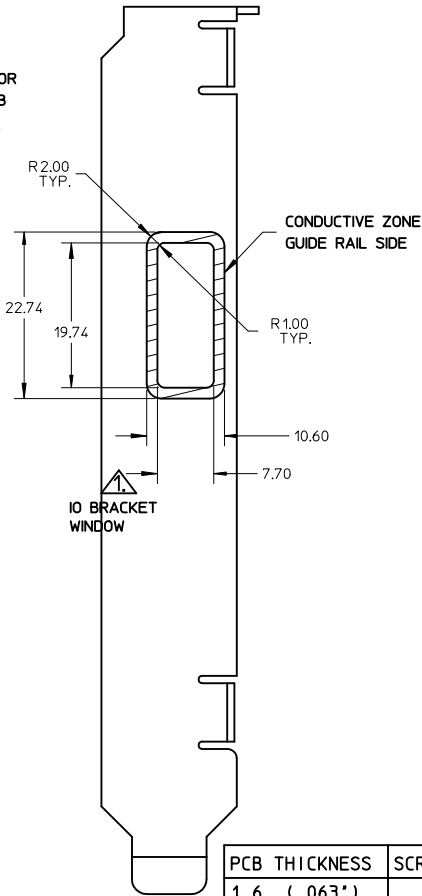
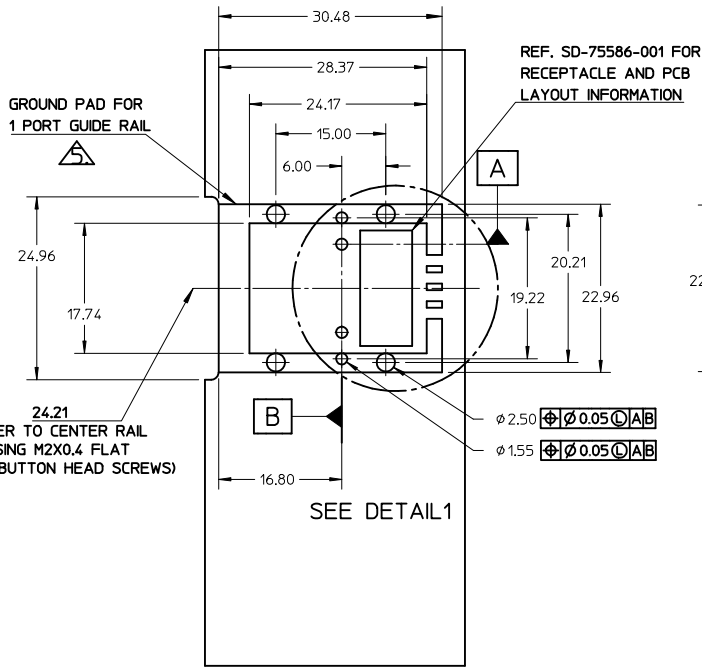
PART NUMBER	PORT SIZE	KEY(S) PORT1	KEY(S) PORT2	KEY(S) PORT3	KEY(S) PORT4	IDENTIFIERS
1110490117	4	2,4	2,4	2,4	2,4	SAS 2.0 OUT PORT/END DEVICE
1110490118	4	4,6	4,6	4,6	4,6	SAS 2.0 IN PORT/END DEVICE
1110490119	4	4	4	4	4	SAS 2.0 UNIVERSAL PORT

UPDATE TOLERANCE EC NO: USY2010-0481 DRWNR:SECRET 2010/01/21 CHKDR:SYTSMH 2010/01/21 APPR:DDOYE 2010/04/22	QUALITY SYMBOLS ▽=0 ▽=0	GENERAL TOLERANCES (UNLESS SPECIFIED) mm INCH 4 PLACES ± --- ± --- 3 PLACES ± --- ± --- 2 PLACES ± 0.13 ± --- 1 PLACE ± 0.25 ± --- ANGULAR ± 1°	DIMENSION STYLE MM ONLY DRAWN BY DATE BREED 2008/10/06 CHECKED BY DATE DDOYE 2008/10/06 APPROVED BY DATE DDOYE 2008/10/06	SCALE 1:1 DESIGN UNITS METRIC THIRD ANGLE PROJECTION	TITLE IPASS SAS 2.0 26CKT GUIDE HOUSING ASSEMBLY 1 DEGREE, MULTIPORT
	DRAFT WHERE APPLICABLE MUST REMAIN WITHIN DIMENSIONS	MATERIAL NO. SEE CHART	DOCUMENT NO. SD-111049-100	SHEET NO. 1 OF 3	
	THIS DRAWING CONTAINS INFORMATION THAT IS PROPRIETARY TO MOLEX INCORPORATED AND SHOULD NOT BE USED WITHOUT WRITTEN PERMISSION				
	MOLEX INCORPORATED				



PART NUMBER	PORT SIZE	KEY(S) PORT1	KEY(S) PORT2	IDENTIFIERS
1110490114	2	2.4	2.4	SAS 2.0 OUT PORT/END DEVICE
1110490115	2	4.6	4.6	SAS 2.0 IN PORT/END DEVICE
1110490116	2	4	4	SAS 2.0 UNIVERSAL PORT

UPDATE TOLERANCE EC NO: USY2010-0481 DRWNR:SECRET 2010/01/21 CHKDR:SYTSM 2010/01/21 APPR:DDOYE 2010/04/22	QUALITY SYMBOLS	GENERAL TOLERANCES (UNLESS SPECIFIED)	DIMENSION STYLE	SCALE	DESIGN UNITS	THIRD ANGLE PROJECTION
	▽=0	mm INCH	MM ONLY	1:1	METRIC	
	▽7=0	4 PLACES ± --- ± ---	DRAWN BY DATE	TITLE		
		3 PLACES ± --- ± ---	BREED 2008/10/06	IPASS SAS 2.0 26CKT		
	2 PLACES ± 0.13 ± ---	CHECKED BY DATE	GUIDE HOUSING ASSEMBLY			
	1 PLACE ± 0.25 ± ---	DDOYE 2008/10/06	1 DEGREE, MULTIPORT			
	ANGULAR ± 1 °	APPROVED BY DATE	MOLEX INCORPORATED			
		DDOYE 2008/10/06	MATERIAL NO. DOCUMENT NO. SHEET NO.			
			SEE CHART		SD-111049-100	2 OF 3
			THIS DRAWING CONTAINS INFORMATION THAT IS PROPRIETARY TO MOLEX INCORPORATED AND SHOULD NOT BE USED WITHOUT WRITTEN PERMISSION			



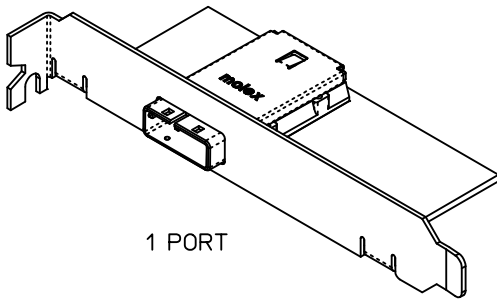
24.21
MIN CENTER TO CENTER RAIL
SPACING USING M2X0.4 FLAT
HEAD OR BUTTON HEAD SCREWS)

SEE DETAIL 1

IO BRACKET
WINDOW

CONDUCTIVE ZONE
GUIDE RAIL SIDE

DETAIL 1
SCALE 4:1



1 PORT

PCB THICKNESS	SCREW LENGTH	TORQUE (IN LBS)
1.6 (.063')	5MM	2.3
2.38 (.093')	6MM	2.3
3.2 (.125')	6MM	2.3
X	+4MM MAX	2.3

PART NUMBER	PORT SIZE	KEY(S)	IDENTIFIERS
1110490111	1	2, 4	SAS 2.0 OUT PORT/END DEVICE
1110490112	1	4, 6	SAS 2.0 IN PORT/END DEVICE
1110490113	1	4	SAS 2.0 UNIVERSAL PORT

UPDATE TOLERANCE EC NO: USY2010-0481 DR:WNRSECRET 2010/01/21 CHKD:PSYISMA 2010/01/21 APPR:DDOYE 2010/04/22	QUALITY SYMBOLS ▽=0 ▽=0	GENERAL TOLERANCES (UNLESS SPECIFIED) mm INCH 4 PLACES ± --- ± --- 3 PLACES ± --- ± --- 2 PLACES ± 0.13 ± --- 1 PLACE ± 0.25 ± --- ANGULAR ± 1°	DIMENSION STYLE MM ONLY DRAWN BY DATE BREED 2008/10/06 CHECKED BY DATE DDOYE 2008/10/06 APPROVED BY DATE DDOYE 2008/10/06	SCALE 1:1 DESIGN UNITS METRIC THIRD ANGLE PROJECTION
	DRAFT WHERE APPLICABLE MUST REMAIN WITHIN DIMENSIONS	MATERIAL NO. SEE CHART	TITLE IPASS SAS 2.0 26CKT GUIDE HOUSING ASSEMBLY 1 DEGREE, MULTIPORT	MOLEX INCORPORATED
	SIZE B	DOCUMENT NO. SD-111049-100	SHEET NO. 3 OF 3	THIS DRAWING CONTAINS INFORMATION THAT IS PROPRIETARY TO MOLEX INCORPORATED AND SHOULD NOT BE USED WITHOUT WRITTEN PERMISSION
	C	REV	DESCRIPTION	TITLE