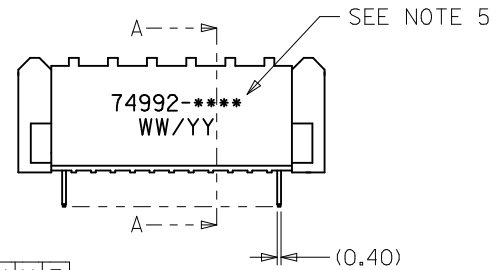
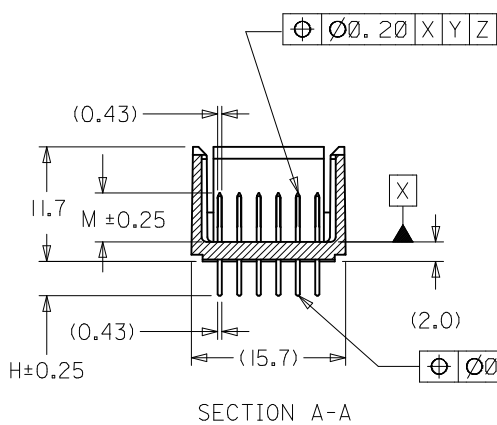
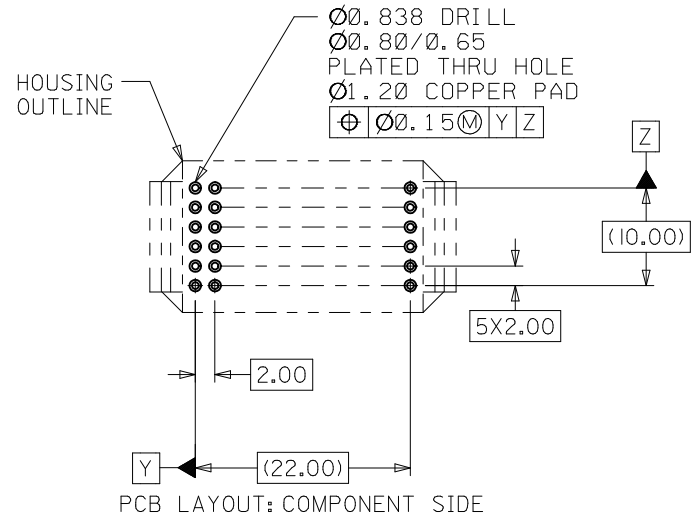
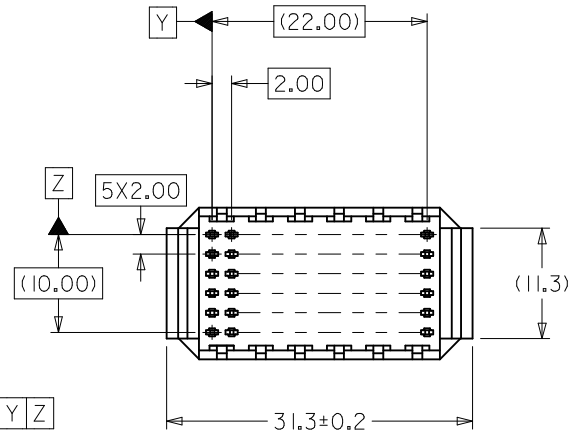


**NOTES:**

1. MATERIALS: HOUSING--LIQUID CRYSTAL POLYMER (LCP), GLASS-FILLED, UL94V-0, COLOR: BLACK, TERMINAL: PHOSPHOR BRONZE.
2. FINISH: SEE SHEET 2.
3. THIS PART CONFORMS TO MOLEX PRODUCT SPECIFICATIONS PS-73670-9999 AND PS-73780-999.
4. PACKAGE PER PK-70873-0818 OR PK-70873-0868.
5. PARTS MARKED WITH PART NUMBER AND DATE CODE, ON EITHER SIDE, APPROXIMATELY WHERE SHOWN.



LEAD FREE CONVERSION EC NO: UCP2013-3253 DRWN:RWHIPPLE 2013/02/04 CHKD:MWOLFE 2013/02/05 APPR:SMILLER 2013/08/05	DESCRIPTION REV	QUALITY SYMBOLS	GENERAL TOLERANCES (UNLESS SPECIFIED)	DIMENSION STYLE	SCALE	DESIGN UNITS	THIRD ANGLE PROJECTION
		∇/0 ∇/0 ∇/0	mm INCH 4 PLACES ± --- ± --- 3 PLACES ± --- ± --- 2 PLACES ± 0.13 ± --- 1 PLACE ± 0.25 ± --- 0 PLACE ± --- ± ---	MM ONLY	2:1	METRIC	THIRD ANGLE PROJECTION SALES ASSY HDM BACKPLANE DOUBLE END WALL OPTION 72 POSITION
		ANGULAR ±1/2° DRAFT WHERE APPLICABLE MUST REMAIN WITHIN DIMENSIONS	DRAWN BY CHECKED BY APPROVED BY DATE DATE DATE	DRAWN BY CHECKED BY APPROVED BY DATE DATE DATE	TITLE SALES ASSY HDM BACKPLANE DOUBLE END WALL OPTION 72 POSITION		
		MATERIAL NO. SEE SHEET 2 SIZE B	DOCUMENT NO. SD-74992-001	SHEET NO. 1 OF 2	THIS DRAWING CONTAINS INFORMATION THAT IS PROPRIETARY TO MOLEX INCORPORATED AND SHOULD NOT BE USED WITHOUT WRITTEN PERMISSION		

FINISH:

GOLD FLASH:

- 0) 0.75 MICROMETERS MINIMUM SELECTIVE GOLD (Au) IN MATING AREA
- 0.05 MICROMETERS MINIMUM GOLD FLASH OVERALL
- NICKEL (Ni) UNDERPLATE OVERALL.

1) MATTE TIN:(SOLDERTAIL)

- 0.75 MICROMETERS MINIMUM SELECTIVE GOLD (Au) IN MATING AREA
- 2.50 MICROMETERS MINIMUM SELECTIVE MATTE TIN (Sn) IN TAIL AREA
- NICKEL (Ni) UNDERPLATE OVERALL.

1) MATTE TIN: (PRESSFIT) (FORMERLY TIN/LEAD)

- 0.75 MICROMETERS MINIMUM SELECTIVE GOLD (Au) IN MATING AREA
- 0.38 MICROMETERS MINIMUM SELECTIVE MATTE TIN (Sn) IN TAIL AREA
- NICKEL (Ni) UNDERPLATE OVERALL.

**MATERIAL NUMBER ASSIGNMENT**

CONSULT FACTORY FOR AVAILABLE COMBINATIONS

74992-\* \* \* \*

NUMBER	TAIL STYLE
0	PRESSFIT
1	SOLDER
2	SINGLE-END MIDPLANE
3	DOUBLE-END MIDPLANE

NUMBER	DIM "H"
0	3.5
1	3.0
2	2.5
3	2.0
4	7.0
5	11.5

NUMBER	DIM "M"
0	5.0
1	5.5
2	6.0

NUMBER	TAIL PLATING
0	GOLD FLASH
1	MATTE TIN
1	MATTE TIN

SEE SHEET 1 EC NO: UCP2013-3253 D DRAWN: RWHIPPLE 2013/02/04 CHKD: MMOLFE 2013/02/05 APPR: SMILLER 2013/08/05	QUALITY SYMBOLS F=0 F=0 F=0	GENERAL TOLERANCES (UNLESS SPECIFIED) <table border="1"> <thead> <tr> <th></th> <th>mm</th> <th>INCH</th> </tr> </thead> <tbody> <tr> <td>4 PLACES</td> <td>± ---</td> <td>± ---</td> </tr> <tr> <td>3 PLACES</td> <td>± ---</td> <td>± ---</td> </tr> <tr> <td>2 PLACES</td> <td>± 0.13</td> <td>± ---</td> </tr> <tr> <td>1 PLACE</td> <td>± 0.25</td> <td>± ---</td> </tr> <tr> <td>0 PLACE</td> <td>± ---</td> <td>± ---</td> </tr> </tbody> </table>		mm	INCH	4 PLACES	± ---	± ---	3 PLACES	± ---	± ---	2 PLACES	± 0.13	± ---	1 PLACE	± 0.25	± ---	0 PLACE	± ---	± ---	DIMENSION STYLE MM ONLY DRAWN BY DATE JB INGHAM 2001/10/08 CHECKED BY DATE SREED 2001/10/08 APPROVED BY DATE SMILLER 2013/08/05	SCALE DESIGN UNITS METRIC THIRD ANGLE PROJECTION	TITLE SALES ASSY HDM BACKPLANE DOUBLE END WALL OPTION 72 POSITION <b>molex</b>	MATERIAL NO. SEE CHART SIZE B	DOCUMENT NO. SD-74992-001	SHEET NO. 2 OF 2
		mm	INCH																							
	4 PLACES	± ---	± ---																							
	3 PLACES	± ---	± ---																							
2 PLACES	± 0.13	± ---																								
1 PLACE	± 0.25	± ---																								
0 PLACE	± ---	± ---																								
ANGULAR ±1/2° DRAFT WHERE APPLICABLE MUST REMAIN WITHIN DIMENSIONS		THIS DRAWING CONTAINS INFORMATION THAT IS PROPRIETARY TO MOLEX INCORPORATED AND SHOULD NOT BE USED WITHOUT WRITTEN PERMISSION																								

FINISH:  
 GOLD FLASH:  
 0.75 MICROMETERS MINIMUM SELECTIVE GOLD (Au) IN MATING AREA  
 0.05 MICROMETERS MINIMUM GOLD FLASH OVERALL  
 NICKEL (Ni) UNDERPLATE OVERALL.  
 TIN:  
 0.75 MICROMETERS MINIMUM SELECTIVE GOLD (Au) IN MATING AREA  
 2.50 MICROMETERS MINIMUM SELECTIVE TIN (Sn) IN TAIL AREA  
 NICKEL (Ni) UNDERPLATE OVERALL.  
 TIN/LEAD:  
 0.75 MICROMETERS MINIMUM SELECTIVE GOLD (Au) IN MATING AREA  
 0.38 MICROMETERS MINIMUM SELECTIVE TIN/LEAD (Sn/Pb) IN TAIL AREA  
 NICKEL (Ni) UNDERPLATE OVERALL.

### MATERIAL NUMBER ASSIGNMENT

CONSULT FACTORY FOR AVAILABLE COMBINATIONS

74992-\* \* \* \*

NUMBER	TAIL STYLE
0	PRESSFIT
1	SOLDER
2	SINGLE-END MIDPLANE
3	DOUBLE-END MIDPLANE

NUMBER	DIM "H"
0	3.5
1	3.0
2	2.5
3	2.0
4	7.0
5	11.5

NUMBER	DIM "M"
0	5.0
1	5.5
2	6.0

NUMBER	TAIL PLATING
0	GOLD FLASH
1	TIN
2	TIN/LEAD

MODIFY FINISH EC NO: UCP2007-2259 DRWN:MSIBARRA 2007/03/13 CHKD:BBARKER 2007/03/21 APPR:SMILLER 2007/03/22	DESCRIPTION REV	QUALITY SYMBOLS ▽=0 ▽=0	GENERAL TOLERANCES (UNLESS SPECIFIED) <table border="1"> <thead> <tr> <th></th> <th>mm</th> <th>INCH</th> </tr> </thead> <tbody> <tr> <td>4 PLACES</td> <td>± ---</td> <td>± ---</td> </tr> <tr> <td>3 PLACES</td> <td>± ---</td> <td>± ---</td> </tr> <tr> <td>2 PLACES</td> <td>± ---</td> <td>± ---</td> </tr> <tr> <td>1 PLACE</td> <td>± ---</td> <td>± ---</td> </tr> </tbody> </table> ANGULAR ±1/2°		mm	INCH	4 PLACES	± ---	± ---	3 PLACES	± ---	± ---	2 PLACES	± ---	± ---	1 PLACE	± ---	± ---	DIMENSION STYLE MM ONLY DRAWN BY: JB INGHAM DATE: 2001/10/08 CHECKED BY: SREED DATE: 2001/10/08 APPROVED BY: CBIXLER DATE: 2001/10/08	SCALE: --- DESIGN UNITS: METRIC THIRD ANGLE PROJECTION
			mm	INCH																
		4 PLACES	± ---	± ---																
		3 PLACES	± ---	± ---																
2 PLACES	± ---	± ---																		
1 PLACE	± ---	± ---																		
DRAFT WHERE APPLICABLE MUST REMAIN WITHIN DIMENSIONS			MATERIAL NO.: SEE CHART	TITLE: SALES ASSY HDM BACKPLANE DOUBLE END WALL OPTION 72 POSITION MOLEX INCORPORATED																
			SIZE: B	DOCUMENT NO.: SD-74992-001																
			THIS DRAWING CONTAINS INFORMATION THAT IS PROPRIETARY TO MOLEX INCORPORATED AND SHOULD NOT BE USED WITHOUT WRITTEN PERMISSION																	