

MT series

Sealed selector switches

Distinctive features - Specifications

U1603R2US



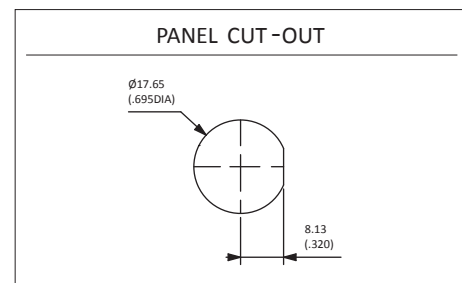
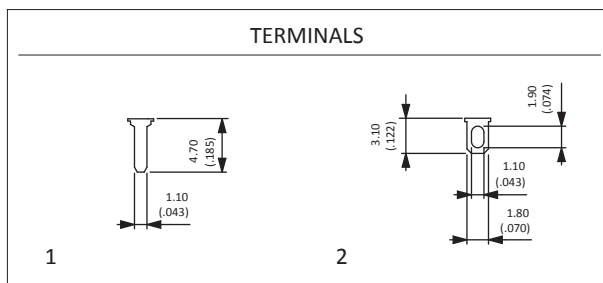
- ❑ Environmentally sealed selector switch (IP68)
- ❑ Multiple functions available
- ❑ Various contact materials that allow usage from dry circuit applications up to 4A

ELECTRICAL AND GENERAL SPECIFICATIONS

- Max. current/voltage rating with resistive load
 - Silver contacts (A) : 4A 30VDC
 - Gold plated silver contacts (AD) : 4A 30VDC (gold plating withstands up to 100mA 30VDC)
 - Gold plated brass contacts (CD) : 0,4VA 20VAC or DC
- Minimal load :
 - A contacts : 50mA 10VDC
 - AD and CD contacts : 10mA 50mV - 10µA 5V
- Initial contact resistance : 10mΩ max.
- Insulation resistance : 1.000 MΩ min. at 500VDC
- Dielectric strength : 1.000 Vrms 50Hz min. between terminals
1.500 Vrms 50Hz min. between terminals and frame
- Contact bounce : 2ms max.
- Electrical life at full load : 50,000 cycles
- Low level or mechanical life : 100,000 cycles
- Panel thickness : 11.5 mm (.452) max.
- Operating temperature : -40°C to +85°C

MATERIALS

- Actuator : 6/6 nylon
soft touch: thermoplastic elastomer over 6/6 nylon
- Bushing : brass, chrome plated
- Contacts
 - A: silver
 - AD: silver, gold plated
 - CD: brass, gold plated
- Terminal seal : epoxy



Dimensions: First dimensions are in mm while inches are shown as bracketed numbers.



Mounting accessories: Standard hardware supplied : 1 hex nut 20.64 mm (.813) across flats and 1 sealing gasket.



Packaging unit: 40 pieces per tray

Note: The company reserves the right to change specifications without notice.

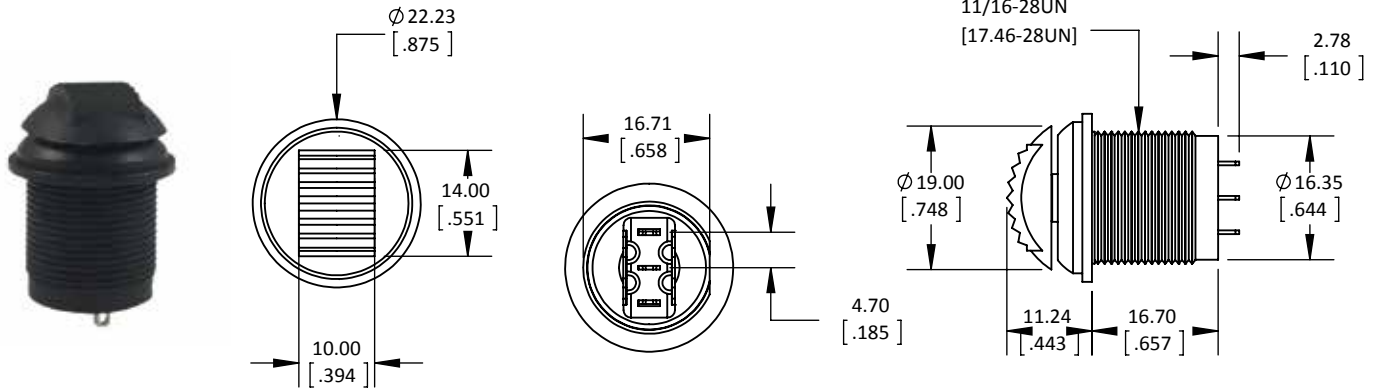
MT series

Sealed selector switches

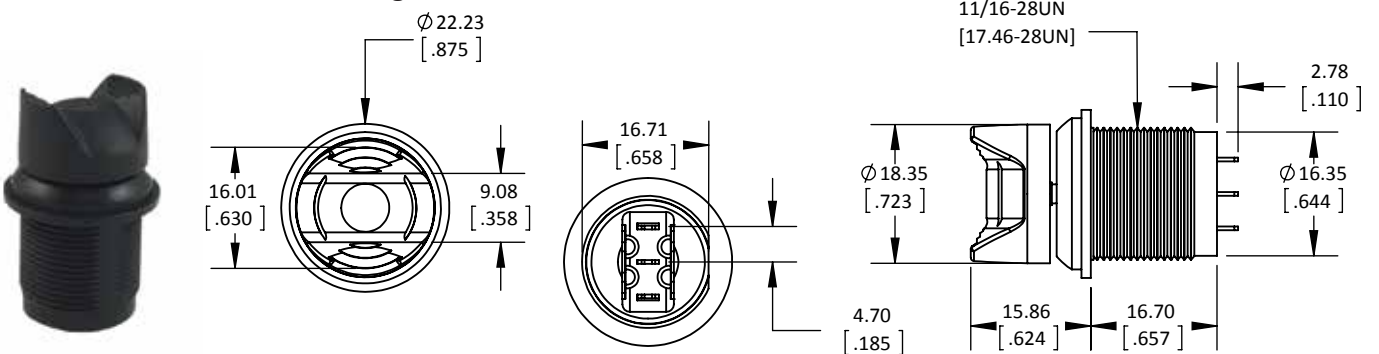
Distinctive features - Specifications

MT					
SERIES	Bushing finish		Electrical functions	Terminals	Contact materials
	Blank	Bright chrome	6 ON - ON	1 Straight PC	A Silver
	G	Matte black (std)	9 ON OFF ON	2 Solder lug	AD Gold plated silver
			7 MOM OFF MOM		CD Gold plated brass
			8 ON OFF MOM		
			2 ON - MOM		
					Actuators
					2 Rocker, black
					3 Winged, black
					4 Paddle, black
					5 Winged, soft touch, black
					6 Paddle, soft touch, black
					Other : on request.

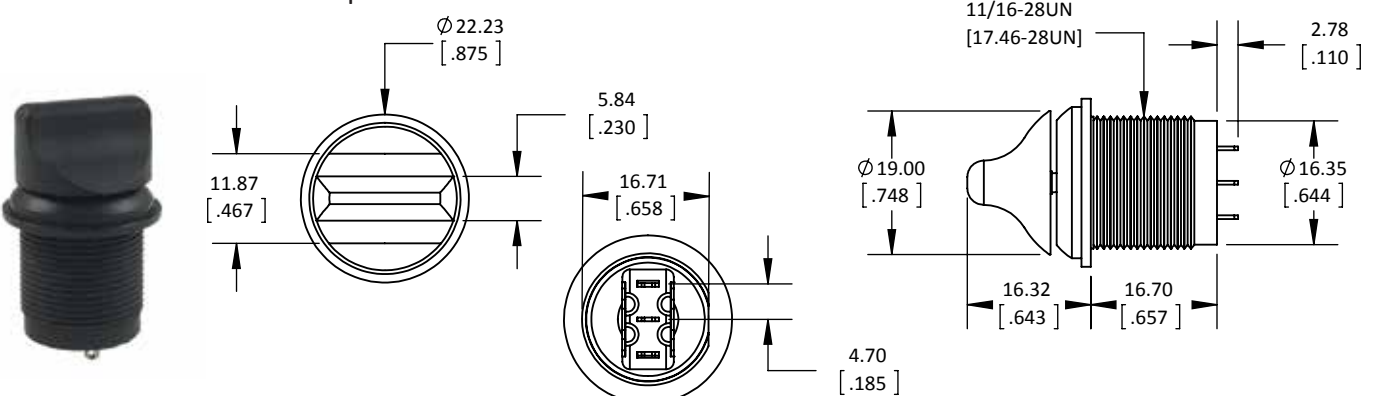
Sealed selector switch with rocker actuator



Sealed selector switch with winged actuator



Sealed selector switch with paddle actuator



Note: The company reserves the right to change specifications without notice.