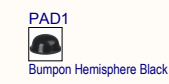
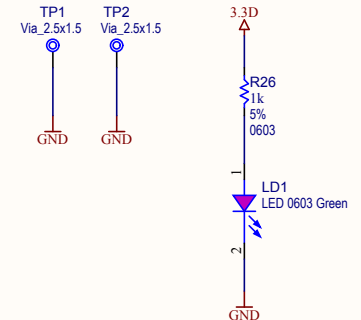
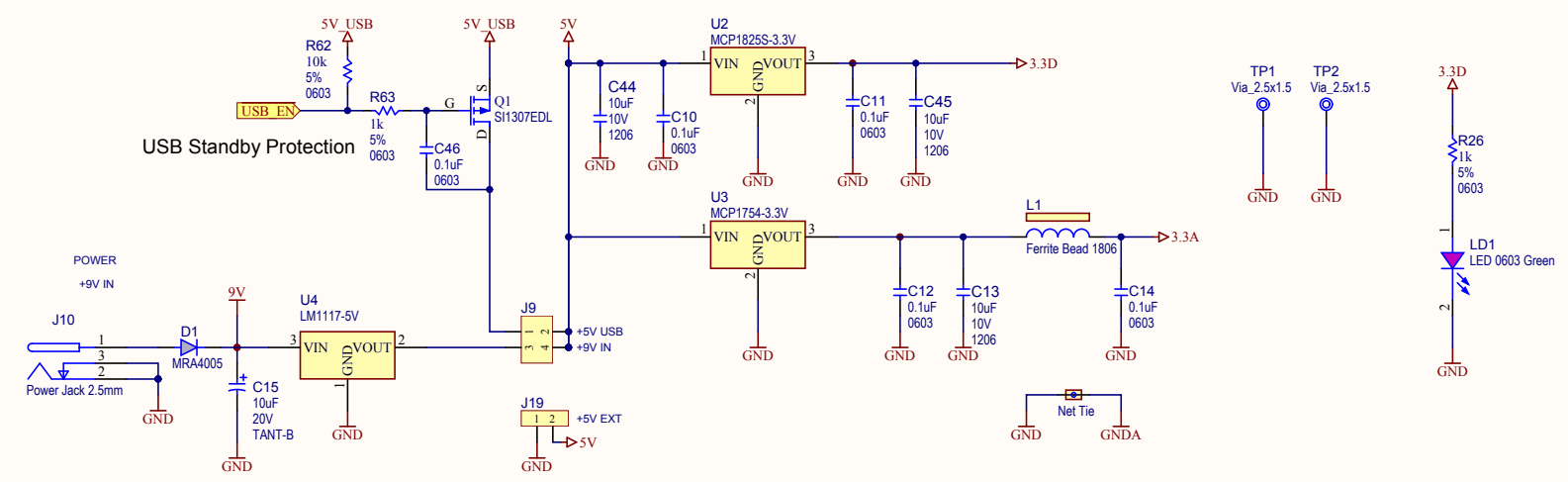


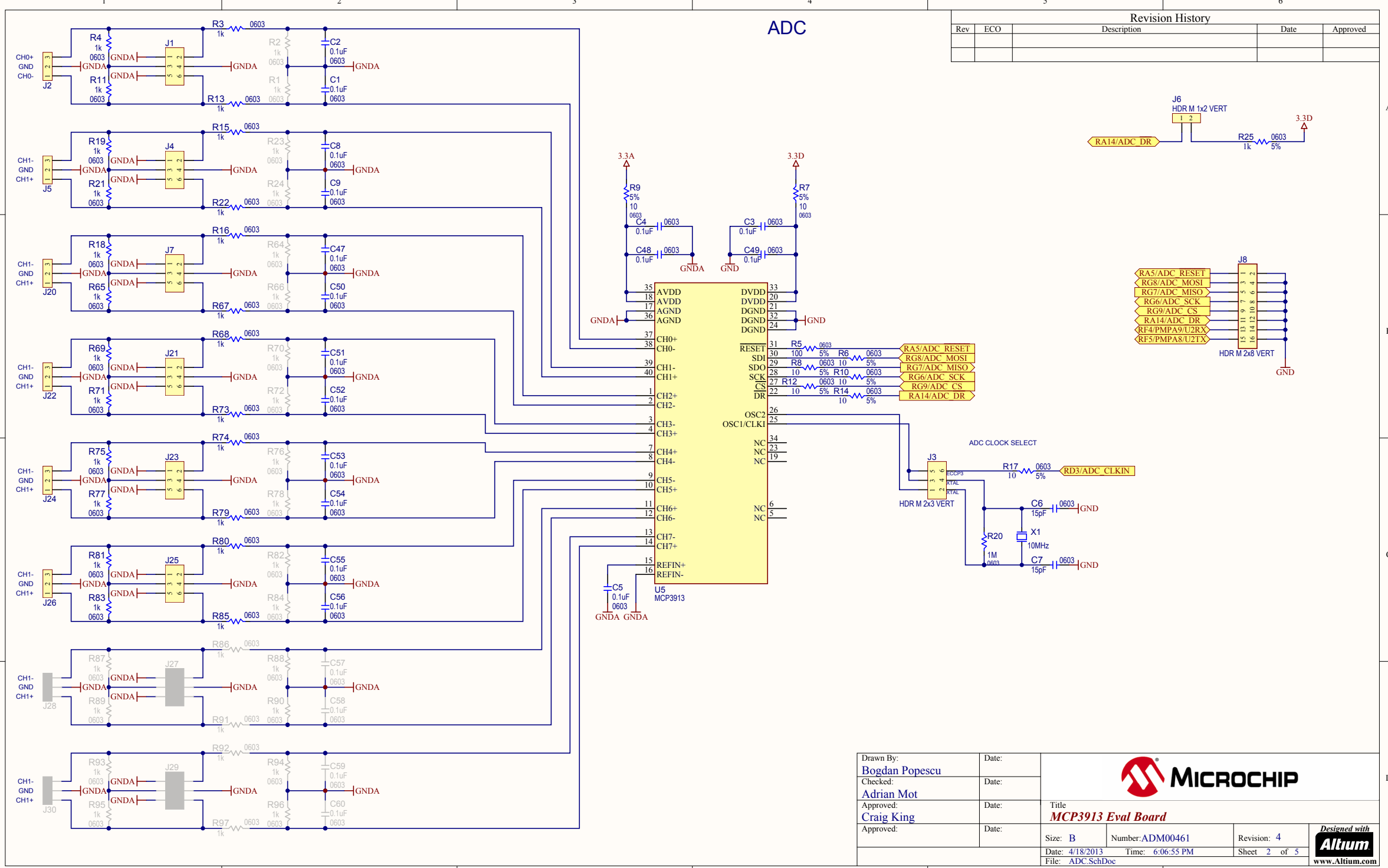


Revision History				
Rev	ECO	Description	Date	Approved

# POWER

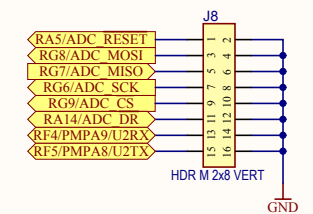
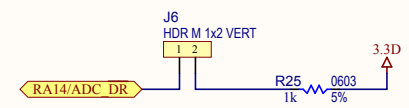


Drawn By: Bogdan Popescu	Date:	
Checked: Adrian Mot	Date:	
Approved: Craig King	Date:	
Approved:	Date:	
Title <b>MCP3913 Eval Board</b>		Designed with 
Size: B	Number: ADM00461	Revision: 4
Date: 4/18/2013	Time: 6:06:54 PM	Sheet 1 of 5
File: POWER.SchDoc		www.Altium.com

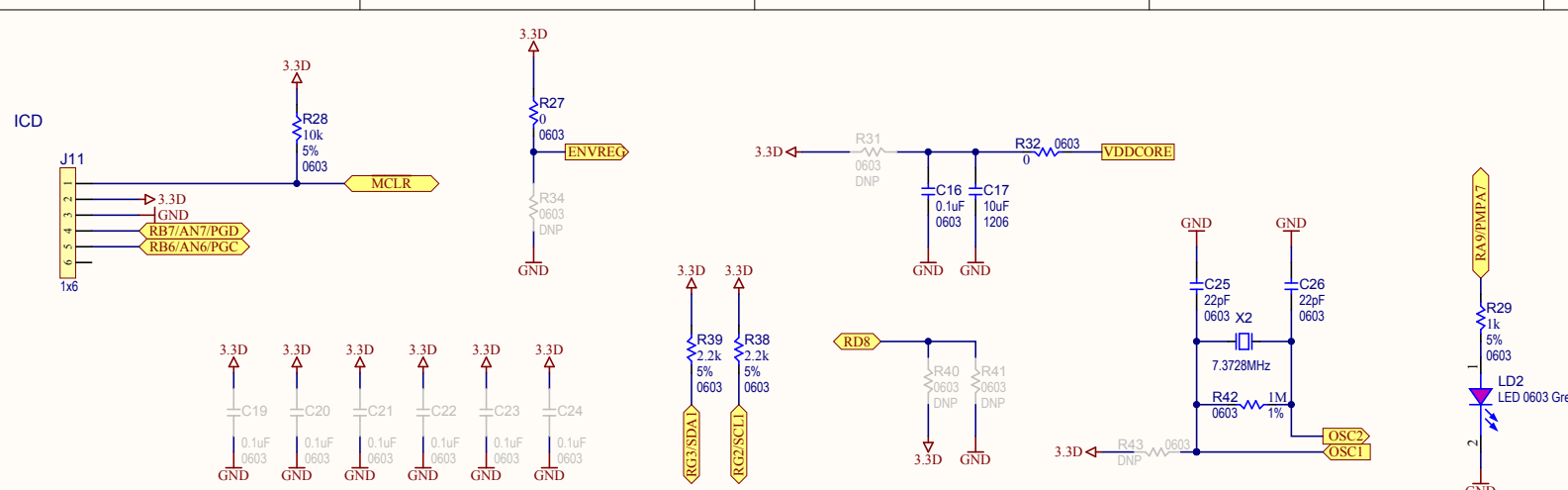


### ADC

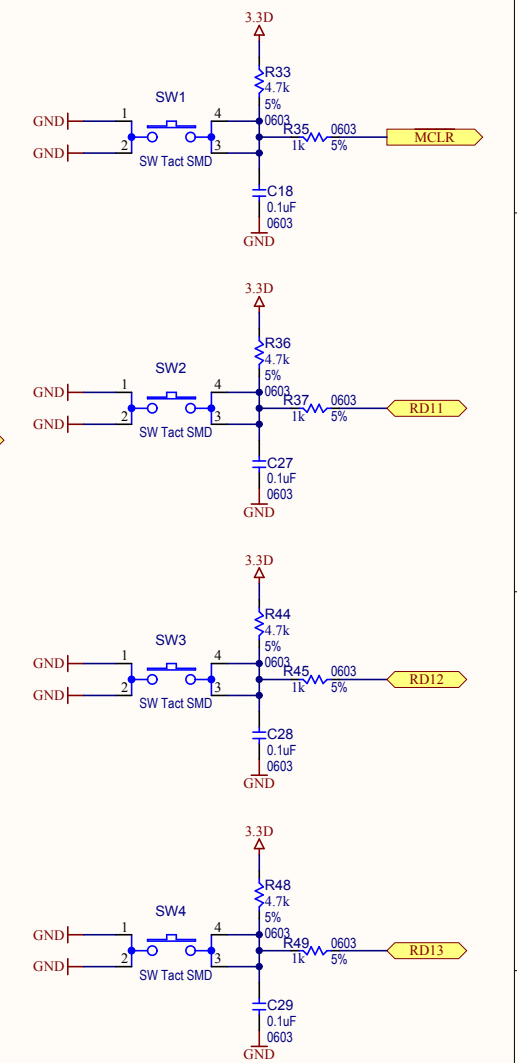
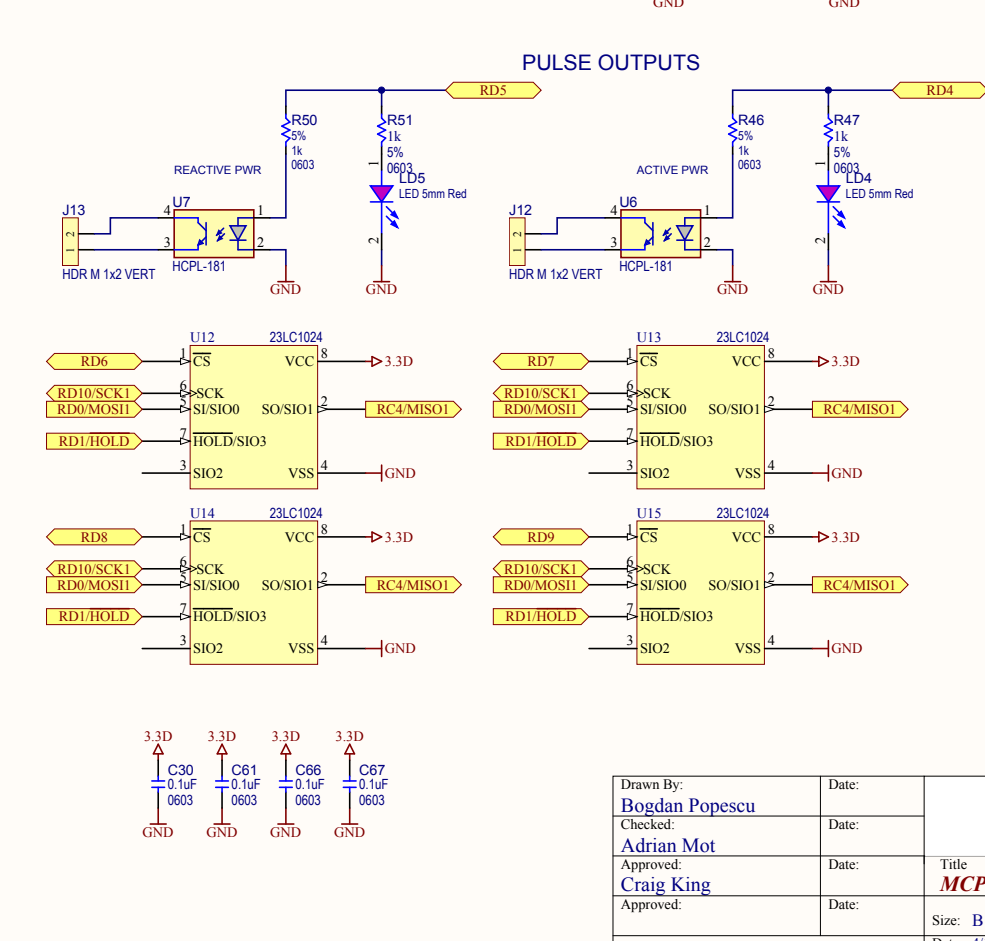
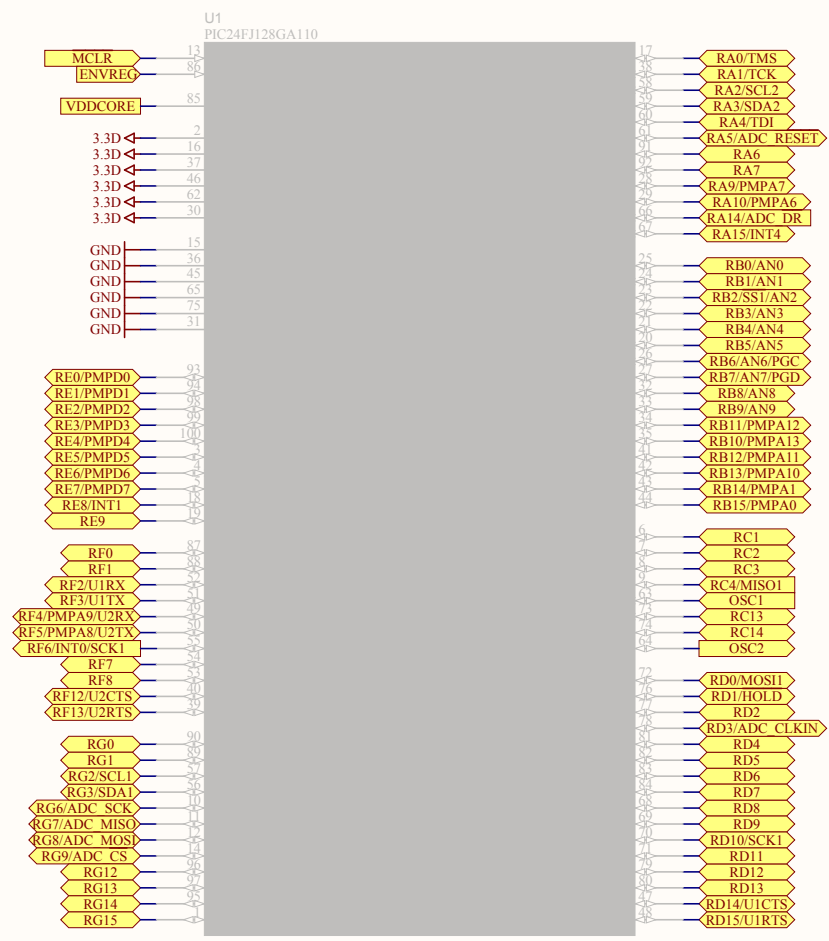
Revision History				
Rev	ECO	Description	Date	Approved



Drawn By: <b>Bogdan Popescu</b>	Date:	
Checked: <b>Adrian Mot</b>	Date:	
Approved: <b>Craig King</b>	Date:	Title: <b>MCP3913 Eval Board</b>
Approved:	Date:	Size: <b>B</b> Number: <b>ADM00461</b> Revision: <b>4</b>
Date: 4/18/2013    Time: 6:06:55 PM		Sheet 2 of 5
File: ADC.SchDoc		Designed with <b>Altium</b> www.Altium.com



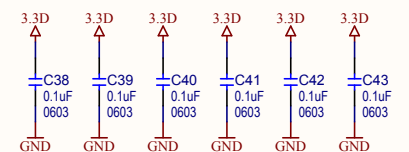
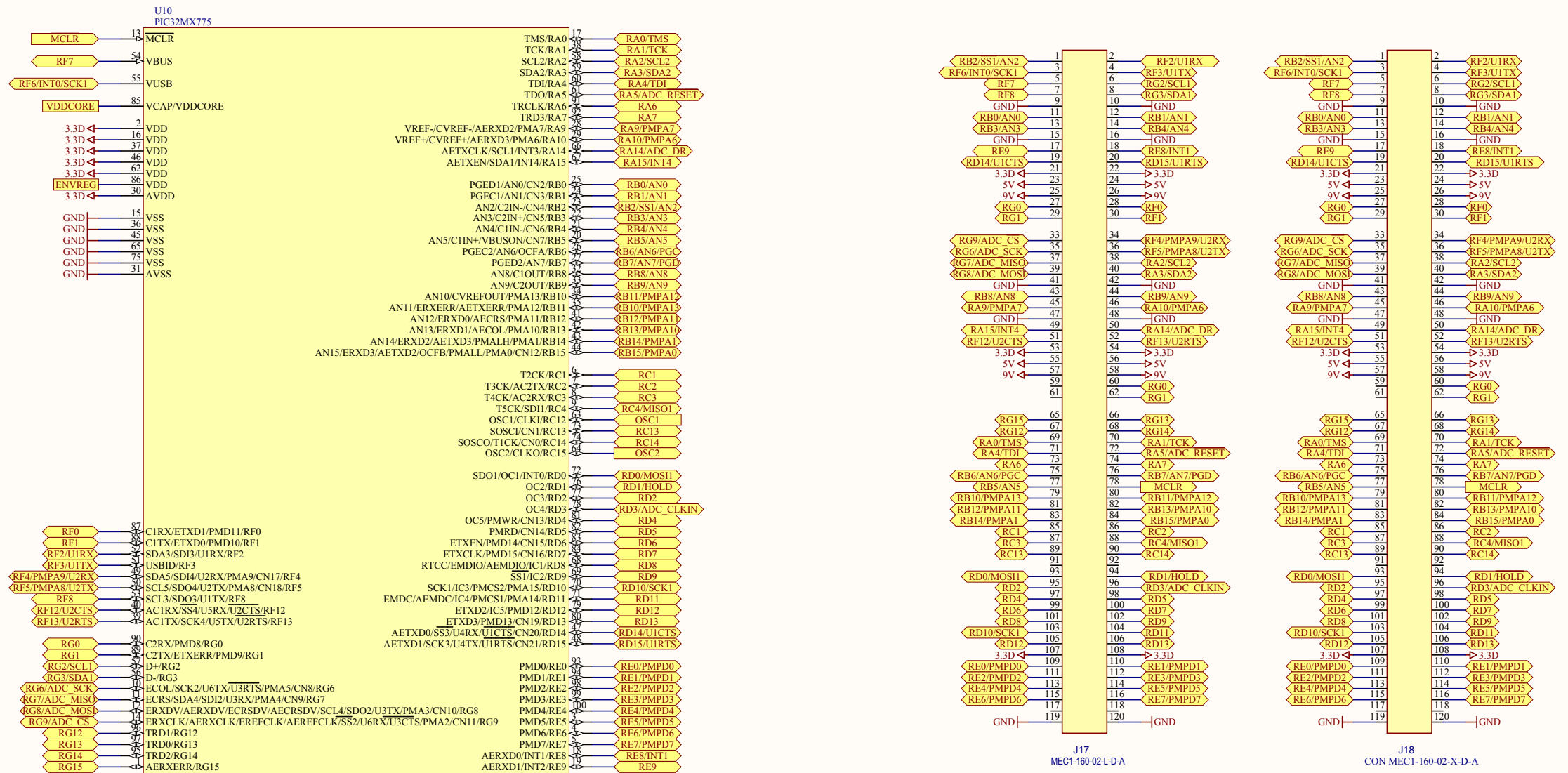
Revision History				
Rev	ECO	Description	Date	Approved



Drawn By: <b>Bogdan Popescu</b>	Date:	
Checked: <b>Adrian Mot</b>	Date:	
Approved: <b>Craig King</b>	Date:	Title: <b>MCP3913 Eval Board</b>
Approved:	Date:	Size: <b>B</b> Number: <b>ADM00461</b> Revision: <b>4</b>
Date: 4/18/2013    Time: 6:06:55 PM		Sheet 3 of 5
File: MCU.SCHDOC		Designed with <b>Altium</b> <a href="http://www.Altium.com">www.Altium.com</a>

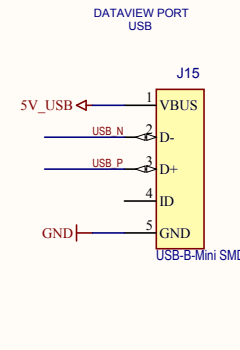
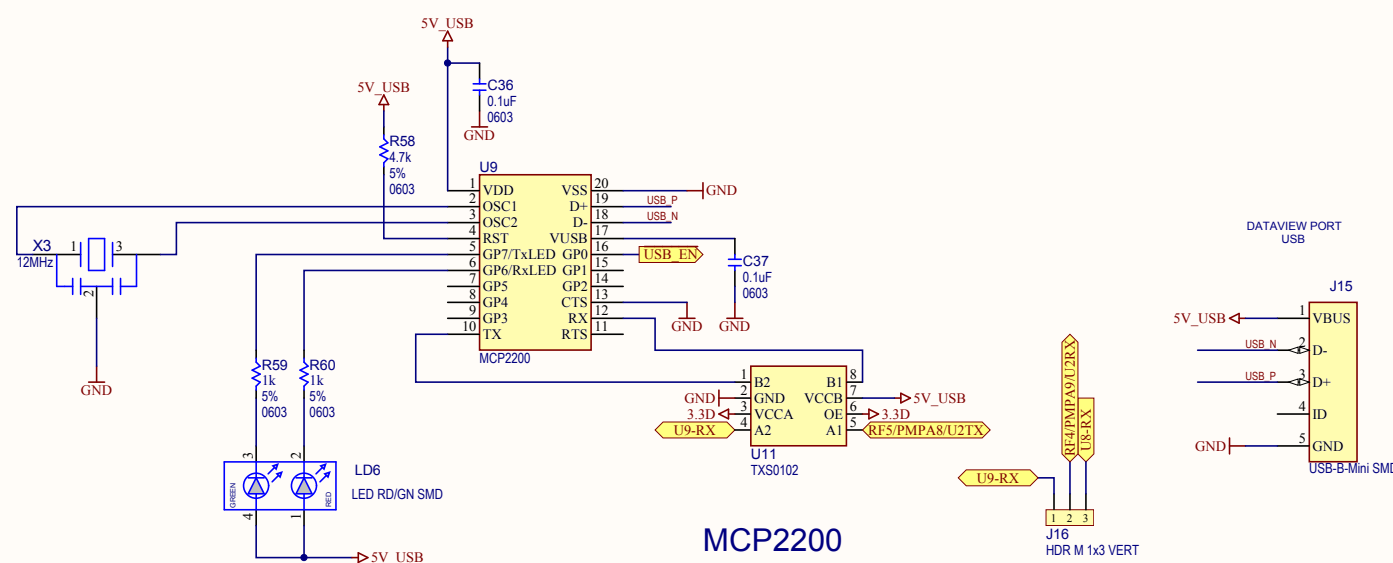
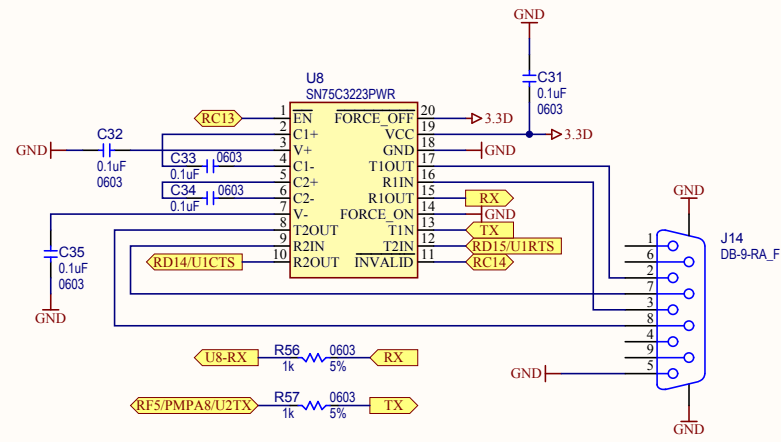
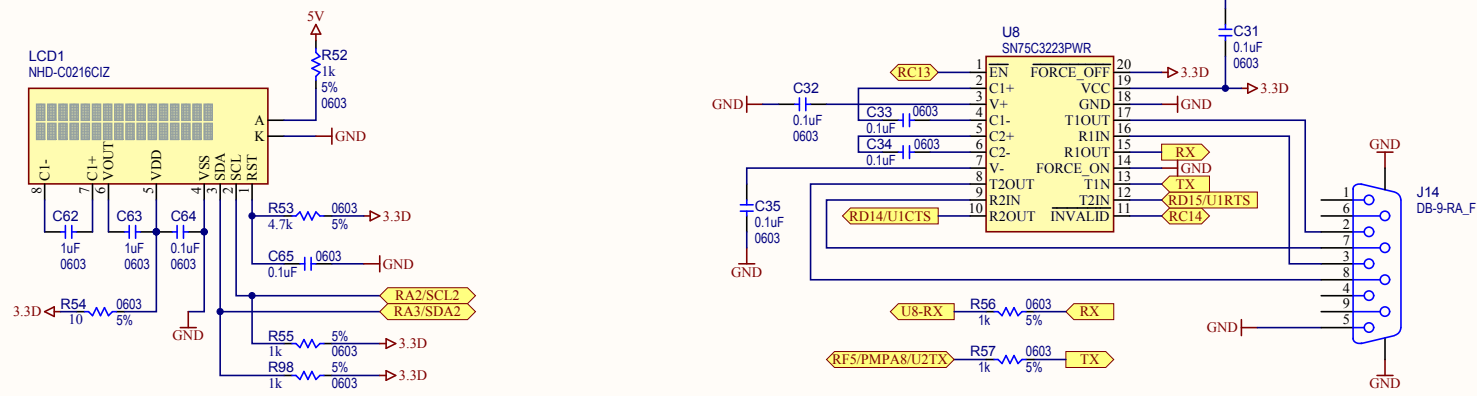
# PIM MODULE

Revision History				
Rev	ECO	Description	Date	Approved



Drawn By: <b>Bogdan Popescu</b>	Date:	
Checked: <b>Adrian Mot</b>	Date:	
Approved: <b>Craig King</b>	Date:	Title: <b>MCP3913 Eval Board</b>
Approved:	Date:	Size: <b>B</b> Number: <b>ADM00461</b> Revision: <b>4</b>
Date: 4/18/2013    Time: 6:06:55 PM    Sheet 4 of 5		Designed with 
File: PIM MODULE.SCHDOC		www.Altium.com

Revision History				
Rev	ECO	Description	Date	Approved



Drawn By: <b>Bogdan Popescu</b>	Date:	
Checked: <b>Adrian Mot</b>	Date:	
Approved: <b>Craig King</b>	Date:	Title: <b>MCP3913 Eval Board</b>
Approved:	Date:	Size: <b>B</b> Number: <b>ADM00461</b> Revision: <b>4</b>
Date: 4/18/2013    Time: 6:06:56 PM		Sheet 5 of 5
File: LCD+USB+RS232.SchDoc		Designed with 