



PRODUCT CHANGE NOTIFICATION (PCN)

ISSUE DATE: 25/4/2022
MODIFICATION / REVISION DATE: 25/4/2022

A-MCSP-80020/B MODULAR CABLE

| | |
|------------------------------------|--|
| CHANGE NOTIFICATION: | PCN 20220425_A-MCSP-80020/B |
| DESCRIPTION OF CHANGES: | CHANGE OF DATA SHEET CHANGE OF DATA SHEET New Draw.-No. ASS_7425_CArev07 |
| REASON FOR CHANGE: | CHANGE OF PRODUCT LOCATION CHANGE OF PRODUCT LOCATION |
| KEY CHARACTERISTICS OF CHANGE: | Details see page 3 |
| PRODUCTS AFFECTED: | A-MCSP-80020/B |
| DATE OF CHANGE AND IMPLEMENTATION: | CHANGE: WEEK 18 / YEAR 2022 IMPLEMENTATION: 25/4/2022 |
| RESPONSE: | NO RESPONSE TO THIS NOTIFICATION IS REQUIRED |

PCN REVISION HISTORY:

DATE OF REVISION: 25/4/2022

REVISION NUMBER: 00

page 1/



PRODUCT CHANGE NOTIFICATION (PCN)

ISSUE DATE: 25/4/2022
MODIFICATION / REVISION DATE: 25/4/2022

REFERENCE DOCUMENTS / ATTACHMENTS:
DOCUMENT: DRAWING

| ASSMANN WSW P/N | Drawing Number | | ASSMANN WSW P/N | Drawing Number |
|-----------------|------------------|---|-----------------|------------------|
| A-MCSP-80020/B | ASS_7425_CArev06 | ↔ | A-MCSP-80020/B | ASS_7425_CArev07 |
| | | | | |
| | | | | |
| | | | | |
| | | | | |
| | | | | |
| | | | | |
| | | | | |
| | | | | |
| | | | | |
| | | | | |
| | | | | |
| | | | | |
| | | | | |
| | | | | |
| | | | | |
| | | | | |
| | | | | |
| | | | | |
| | | | | |
| | | | | |
| | | | | |



Auf dem Schüffel 1
D-58513 Lüdenscheid
Tel.: +49-2351 - 554-200
Fax +49 (2351) 554-861
info@assmann-wsw.com
www.assmann-wsw.com

PRODUCT CHANGE NOTIFICATION (PCN)

ISSUE DATE: 25/4/2022
MODIFICATION / REVISION DATE: 25/4/2022

| A-MCSP-80020/B | OLD VERSION | A-MCSP-80020/B | NEW VERSION | | | | | | | | | | | | | | | | | | | | | | | | | | | | | | | | | | | | | | | | | | | | | | | | | |
|---|-------------|--|--|-------------|-----|------|---|------|---------|-----|---|---|------|---|---|-----|-----|-------|--|-----|---|---|--|----|---------|-------------|-----|------|---|---|---------|---------------------------------------|---|-----|---|---|------|---------|----|---|--|---|------|---|---|-----|----|---|-------|--|----|---|
| <p>Appearance</p> | | <p>Appearance</p> | | | | | | | | | | | | | | | | | | | | | | | | | | | | | | | | | | | | | | | | | | | | | | | | | | |
| <p>BOM</p> <table border="1"> <thead> <tr> <th>NO</th> <th>PART NO</th> <th>DESCRIPTION</th> <th>QTY</th> <th>UNIT</th> </tr> </thead> <tbody> <tr> <td>3</td> <td>mold</td> <td>PVC,50P</td> <td>9.0</td> <td>G</td> </tr> <tr> <td>2</td> <td>plug</td> <td>8P8C plating gold 3U* with metal shield</td> <td>2</td> <td>PCS</td> </tr> <tr> <td>⑤ 1</td> <td>cable</td> <td>FTP (26AWG*1P)*4+D+A+PVC, OD:5.2±0.2mm CAT5E</td> <td>2.0</td> <td>M</td> </tr> </tbody> </table> | | NO | PART NO | DESCRIPTION | QTY | UNIT | 3 | mold | PVC,50P | 9.0 | G | 2 | plug | 8P8C plating gold 3U* with metal shield | 2 | PCS | ⑤ 1 | cable | FTP (26AWG*1P)*4+D+A+PVC, OD:5.2±0.2mm CAT5E | 2.0 | M | <p>BOM</p> <table border="1"> <thead> <tr> <th>NO</th> <th>PART NO</th> <th>DESCRIPTION</th> <th>QTY</th> <th>UNIT</th> </tr> </thead> <tbody> <tr> <td>⑦</td> <td>⚠</td> <td>AL-Foil</td> <td>Double-sided conductive aluminum foil</td> <td>2</td> <td>PCS</td> </tr> <tr> <td>⑦</td> <td>⚠</td> <td>mold</td> <td>PVC,65P</td> <td>AR</td> <td>G</td> </tr> <tr> <td></td> <td>⚠</td> <td>plug</td> <td>8P8C plating gold 3U* with metal shield</td> <td>2</td> <td>PCS</td> </tr> <tr> <td>⑦⑤</td> <td>⚠</td> <td>cable</td> <td>CAT5E F/UTP (26AWG*1P)*4+D+A+PVC, OD:5.2±0.2mm</td> <td>AR</td> <td>M</td> </tr> </tbody> </table> | | NO | PART NO | DESCRIPTION | QTY | UNIT | ⑦ | ⚠ | AL-Foil | Double-sided conductive aluminum foil | 2 | PCS | ⑦ | ⚠ | mold | PVC,65P | AR | G | | ⚠ | plug | 8P8C plating gold 3U* with metal shield | 2 | PCS | ⑦⑤ | ⚠ | cable | CAT5E F/UTP (26AWG*1P)*4+D+A+PVC, OD:5.2±0.2mm | AR | M |
| NO | PART NO | DESCRIPTION | QTY | UNIT | | | | | | | | | | | | | | | | | | | | | | | | | | | | | | | | | | | | | | | | | | | | | | | | |
| 3 | mold | PVC,50P | 9.0 | G | | | | | | | | | | | | | | | | | | | | | | | | | | | | | | | | | | | | | | | | | | | | | | | | |
| 2 | plug | 8P8C plating gold 3U* with metal shield | 2 | PCS | | | | | | | | | | | | | | | | | | | | | | | | | | | | | | | | | | | | | | | | | | | | | | | | |
| ⑤ 1 | cable | FTP (26AWG*1P)*4+D+A+PVC, OD:5.2±0.2mm CAT5E | 2.0 | M | | | | | | | | | | | | | | | | | | | | | | | | | | | | | | | | | | | | | | | | | | | | | | | | |
| NO | PART NO | DESCRIPTION | QTY | UNIT | | | | | | | | | | | | | | | | | | | | | | | | | | | | | | | | | | | | | | | | | | | | | | | | |
| ⑦ | ⚠ | AL-Foil | Double-sided conductive aluminum foil | 2 | PCS | | | | | | | | | | | | | | | | | | | | | | | | | | | | | | | | | | | | | | | | | | | | | | | |
| ⑦ | ⚠ | mold | PVC,65P | AR | G | | | | | | | | | | | | | | | | | | | | | | | | | | | | | | | | | | | | | | | | | | | | | | | |
| | ⚠ | plug | 8P8C plating gold 3U* with metal shield | 2 | PCS | | | | | | | | | | | | | | | | | | | | | | | | | | | | | | | | | | | | | | | | | | | | | | | |
| ⑦⑤ | ⚠ | cable | CAT5E F/UTP (26AWG*1P)*4+D+A+PVC, OD:5.2±0.2mm | AR | M | | | | | | | | | | | | | | | | | | | | | | | | | | | | | | | | | | | | | | | | | | | | | | | |
| <p>FOR DETAIL, PLEASE TAKE ATTACHED NEW DRAWING: FOR REFERENCE</p> | | | | | | | | | | | | | | | | | | | | | | | | | | | | | | | | | | | | | | | | | | | | | | | | | | | | |

1

2

3

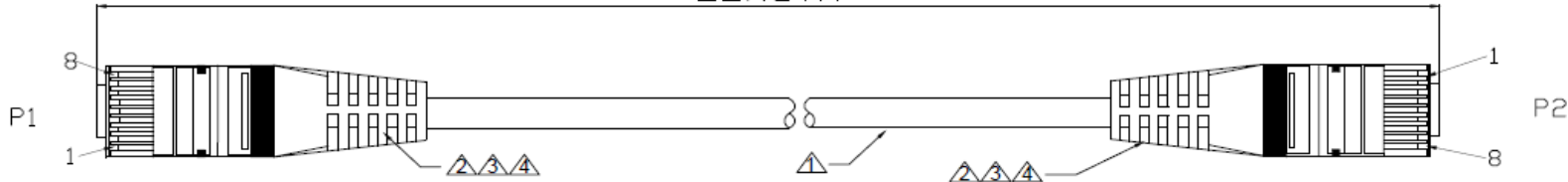
4

5

6

7

LENGTH



Order Code:

① A-MCSP-80XXX : color Grey

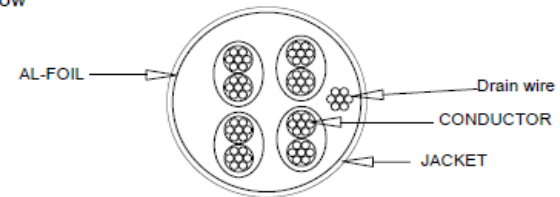
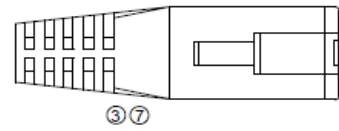
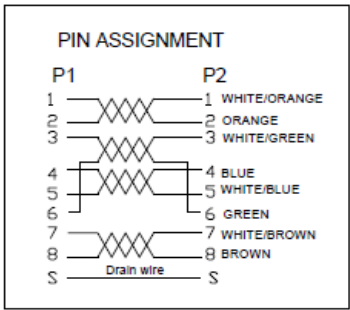
④② Order lengths in meter: 0.3,0.5,1,2,3,5,7,10,15,20,30

A-MCSP-80XXX/X

④② Order lengths in meter: 0.3,0.5,1,2,3,5,7,10,15,20,30
Order color:(R)Red,(Y)Yellow (G)Green,(B)Blue

⑥② TOLERANCE

| Length(meter) | Max-M | Min-M |
|---------------|-------|--------|
| 0.3 | +0.03 | -0.025 |
| 0.5 | +0.03 | -0.025 |
| 1 | +0.04 | -0.035 |
| 2 | +0.06 | -0.06 |
| 3 | +0.09 | -0.09 |
| 5 | +0.15 | -0.15 |
| 7 | +0.21 | -0.21 |
| 10 | +0.3 | -0.3 |
| 15 | +0.45 | -0.45 |
| 20 | +0.6 | -0.6 |
| 30 | +0.9 | -0.9 |



Electrical
100% short,open,miswire test

| NO | PART NO | DESCRIPTION | QTY | UNIT |
|----|---------|--|-----|------|
| ⑦ | △ | AL-Foil Double-sided conductive aluminum foil | 2 | PCS |
| ⑦ | △ | mold PVC,65P | AR | G |
| ⑦ | △ | plug 8P8C plating gold 3U* with metal shield | 2 | PCS |
| ⑦⑤ | △ | cable CAT5E F/UTP (26AWG*1P)*4+D+A+PVC, OD:5.2±0.2mm | AR | M |

RoHS compliant
Unit:: mm

| Scale | FREE | ⑦ | Change the plant | 12.04.2022 | Luca | Date | Name | Customer-No. |
|-----------|------|-----|----------------------------|------------|---------|-------------------------------|--------|--|
| TOLERANCE | | ⑥ | Clarify the tolerance | 23.08.2018 | Segal | 26.06.2015 | Joanna | ASSMANN WSW-No. A-MCSP-80XXX/X |
| X. | ±X | ⑤ | Add "CAT5E" | 20.10.2017 | Stephon | 12.04.2022 | Luca | |
| X.X | ±X | ④ | Add length for 20M and 30M | 20.09.2017 | Fred | | | |
| X.XX | ±X | ③ | remove mark on the mould | 29.06.2016 | Joanna | | | |
| DIM | TOL | ② | Add length for 300mm | 18.05.2015 | Joanna | | | Drawing-No. ASS 7425 CA |
| ANGLE | ±X° | | | | | | | rev07 |
| Angle | TOL | Id. | Modification | Date | Name | ASSMANN WSW components | | Replace |
| | | | | | | | | Sheet |

1

2

3

4

5

6

7