



Radioline - 900 MHz wireless transmission system for serial interfaces and I/O signals

User manual

UM EN RAD-900-IFS(DAIO6)

User manual

Radioline - 900 MHz wireless transmission system for serial interfaces and I/O signals

UM EN RAD-900-IFS(DAIO6), Revision B

2018-07-23

This user manual is valid for:

Designation	Order No.
RAD-900-IFS	2901540
RAD-900-DAIO6	2702877
I/O extension modules:	
RAD-AI4-IFS	2901537
RAD-PT100-4-IFS	2904035
RAD-AO4-IFS	2901538
RAD-DI4-IFS	2901535
RAD-DI8-IFS	2901539
RAD-DOR4-IFS	2901536
RAD-DO8-IFS	2902811
RAD-DAIO6-IFS	2901533

Table of contents

1	For your safety	5
1.1	Labeling of warning notes	5
1.2	Qualification of users	5
1.3	Safety notes	6
1.4	Installation and operation.....	6
1.5	Safety regulations for installation in potentially explosive areas.....	7
1.6	Conformance	8
2	Short description.....	9
2.1	RAD-900-IFS wireless module	9
2.1.1	Structure	10
2.2	RAD-900-DAIO6.....	11
2.2.1	Structure	12
3	Description of I/O extension modules	15
3.1	RAD-AI4-IFS - analog extension module with four inputs	16
3.1.1	Structure	16
3.1.2	Basic circuit diagram	17
3.1.3	Setting the DIP switches	17
3.1.4	Diagnostic LEDs	18
3.1.5	Setting the I/O-MAP address	19
3.1.6	Process data in PLC/Modbus RTU mode	19
3.2	RAD-PT100-4-IFS - extension module with four temperature inputs	20
3.2.1	Connecting sensors	20
3.2.2	Measuring errors using 2-wire connection technology	22
3.2.3	Shielding of the sensor cables	24
3.2.4	Structure	25
3.2.5	Basic circuit diagram	26
3.2.6	Diagnostic LEDs	26
3.2.7	Setting the I/O-MAP address	27
3.2.8	Process data in PLC/Modbus RTU mode	27
3.3	RAD-AO4-IFS - analog extension module with four outputs	28
3.3.1	Structure	28
3.3.2	Basic circuit diagram	29
3.3.3	Setting the DIP switches	29
3.3.4	Diagnostic LEDs	30
3.3.5	Setting the I/O-MAP address	31
3.3.6	Process data in PLC/Modbus RTU mode	31

3.4	RAD-DI4-IFS - digital extension module with four inputs	32
3.4.1	Structure	32
3.4.2	Basic circuit diagram	33
3.4.3	Diagnostic LEDs	33
3.4.4	Setting the I/O-MAP address	34
3.4.5	Process data in PLC/Modbus RTU mode	34
3.5	RAD-DI8-IFS - digital extension module with eight inputs	35
3.5.1	Structure	35
3.5.2	Basic circuit diagram	36
3.5.3	Setting the DIP switches	36
3.5.4	Functions in pulse counter mode	37
3.5.5	Diagnostic LEDs	38
3.5.6	Setting the I/O-MAP address	39
3.5.7	Process data in PLC/Modbus RTU mode	40
3.6	RAD-DOR4-IFS - digital extension module with four outputs	41
3.6.1	Structure	41
3.6.2	Basic circuit diagram	42
3.6.3	Setting the DIP switches	42
3.6.4	Diagnostic LEDs	43
3.6.5	Setting the I/O-MAP address	44
3.7	RAD-DO8-IFS - digital extension module with eight outputs	45
3.7.1	Structure	45
3.7.2	Basic circuit diagram	46
3.7.3	Setting the DIP switches	46
3.7.4	Diagnostic LEDs	47
3.7.5	Setting the I/O-MAP address	49
3.7.6	Process data in PLC/Modbus RTU mode	49
3.8	RAD-DAIO6-IFS - analog/digital extension module with six channels	50
3.8.1	Structure	51
3.8.2	Basic circuit diagram	52
3.8.3	Setting the DIP switches	52
3.8.4	Diagnostic LEDs	53
3.8.5	Setting the I/O-MAP address	54
3.8.6	Process data in PLC/Modbus RTU mode	55
3.9	RAD-RS485-IFS modules	55
4	Installation	57
4.1	DIN rail-mounted devices (RAD-900-IFS)	57
4.1.1	Mounting/removal	57
4.1.2	Connecting wires	59
4.1.3	Connecting the power supply	59
4.1.4	Serial interfaces	60
4.1.5	Connecting the antenna	62

4.2	Wall-mounted devices (RAD-900-DAIO6)	63
4.2.1	Mounting	63
4.2.2	Wire entry	64
4.2.3	Connecting wires	64
4.2.4	Connecting power	65
4.2.5	Connecting the antenna	66
5	Configuration and startup.....	67
5.1	Default settings of the wireless module.....	67
5.1.1	Resetting to the default settings	67
5.1.2	Firmware update	68
5.2	Operating mode of the wireless module	68
5.3	Setting the address of the wireless module via the thumbwheel.....	71
5.4	Configuration via CONFSTICK	71
5.5	Copying device settings via memory stick	73
5.5.1	Saving parameters from the wireless module to the memory stick	73
5.5.2	Reading the memory stick	74
5.6	Configuration via PSI-CONF software	74
5.6.1	Extended configuration, individual settings	75
5.6.2	Data transmission speed of the wireless interface	75
5.6.3	Device settings	77
5.7	Starting up I/O extension modules	79
5.7.1	Combinations of extension modules	79
5.7.2	Setting the address of the extension modules via the thumbwheel	80
5.7.3	Wireless module in PLC/Modbus RTU dual mode	81
5.8	Starting up the RAD-900-DAIO6.....	82
5.8.1	Setting the address of the RAD-900-DAIO6 via the thumbwheel	82
5.8.2	RAD-900-DAIO6 in PLC/Modbus RTU dual mode	83
5.9	Startup time of the wireless station	84
6	Serial data mode (RAD-900-IFS only).....	85
6.1	Frame-based data transmission	87
7	PLC/Modbus RTU mode.....	89
7.1	Configuration via PSI-CONF software	90
7.2	Addressing I/O extension modules	91
7.3	Watchdog	91

8	PLC/Modbus RTU dual mode	93
8.1	Configuration via PSI-CONF software	94
8.2	Addressing I/O extension modules	95
8.3	Watchdog	95
9	Addressing I/O extension modules and RAD-900-DAIO6 with Modbus RTU	97
9.1	Modbus function codes	97
9.2	Modbus protocol.....	97
9.3	Addressing registers.....	98
9.4	Module type and error code register	99
9.4.1	Assigning I/O extension modules to the register	100
9.5	Modbus memory map.....	100
9.5.1	RAD-AI4-IFS process data	101
9.5.2	RAD-PT100-4-IFS process data	102
9.5.3	RAD-AO4-IFS process data	103
9.5.4	RAD-DI4-IFS process data	104
9.5.5	RAD-DI8-IFS process data	104
9.5.6	RAD-DOR4-IFS process data	106
9.5.7	RAD-DO8-IFS process data	107
9.5.8	RAD-DAIO6-IFS and RAD-900-DAIO6 process data	108
9.5.9	Complete overview of the Modbus memory map	109
9.6	Error codes and formats for analog input and output values	112
9.7	RSSI signal register	113
10	Detecting and removing errors.....	115
10.1	Loopback test during serial data transmission.....	121
11	Diagnostics on the wireless module.....	123
11.1	Diagnostic LEDs	123
11.2	LED bar graph	125
11.3	Diagnostics via PSI-CONF software	128
11.3.1	Recording parameters	130

1 For your safety

Read this user manual carefully and keep it to hand for future reference.

1.1 Labeling of warning notes



This symbol indicates hazards that could lead to personal injury. There are three signal words indicating the severity of a potential injury.

DANGER

Indicates a hazard with a high risk level. If this hazardous situation is not avoided, it will result in death or serious injury.

WARNING

Indicates a hazard with a medium risk level. If this hazardous situation is not avoided, it could result in death or serious injury.

CAUTION

Indicates a hazard with a low risk level. If this hazardous situation is not avoided, it could result in minor or moderate injury.



This symbol together with the **NOTE** signal word alerts the reader to a situation which may cause damage or malfunction to the device, hardware/software, or surrounding property.



Here you will find additional information or detailed sources of information.

1.2 Qualification of users

The use of products described in this user manual is oriented exclusively to:

- Qualified electricians or persons instructed by them. The users must be familiar with the relevant safety concepts of automation technology as well as applicable standards and other regulations.
- Qualified application programmers and software engineers. The users must be familiar with the relevant safety concepts of automation technology as well as applicable standards and other regulations.

1.3 Safety notes



Please note that, in combination with antennas, the maximum permissible transmission power may be exceeded. Please set the transmission power via the software.

The use of antennas with a gain greater than 6 dBi may require that the transmit power be reduced from the default setting of 30 dBm. Regulations limit the equivalent isotropically-radiated power (EIRP) to 36 dBm. The EIRP may be calculated as the transmit power (Pt) minus any cable loss (Lc) plus the antenna gain (Ga).

$$\text{EIRP} = \text{Pt} - \text{Lc} + \text{Ga}$$

For example, in the case of a 12 dBi antenna used with a cable run with a 4 dB loss, the transmit power must be reduced to 28 dBm or less such that the EIRP does not exceed 36 dBm.



The PSI-CONF configuration and diagnostic software can be used to configure the transmit power.



Operation of the wireless system is only permitted if accessories available from Phoenix Contact are used. The use of other accessory components may invalidate the device approval status

1.4 Installation and operation

Follow the installation instructions.



NOTE:

Installation, operation, and maintenance may only be carried out by qualified specialist personnel.

Error-free operation of this device can only be ensured if transport, storage, and assembly are carried out correctly and operation and maintenance are carried out with care.

When installing and operating the device, the applicable safety directives (including national safety directives), accident prevention regulations, as well as general technical regulations, must be observed.



WARNING: Risk of electrical shock

During operation, certain parts of this device may carry hazardous voltages. Disregarding this warning may result in damage to equipment and/or serious personal injury.



NOTE:

Access to circuits within the device is not permitted.

Provide a switch/circuit breaker close to the device that is labeled as the disconnect device for this device.

Provide overcurrent protection ($I \leq 6\text{A}$).



During maintenance work, disconnect the device from all effective power sources.

**NOTE:**

The IP20 degree of protection (IEC 60529/EN 60529) of the RAD-900-IFS is intended for a clean and dry environment. Do not subject the device to mechanical and/or thermal loads that exceed the specified limits.

The RAD-900-DAIO6 provides an IP65 degree of protection.

The radio should not be operated without an antenna or terminating load on the antenna connector.

**NOTE:**

Prolonged operation without an antenna or terminator may result in damage to the radio.

1.5 Safety regulations for installation in potentially explosive areas

Installation in areas with a danger of dust explosions

**WARNING:**

The device has not been designed for use in potentially dust-explosive atmospheres.

Installation in Class I, Div. 2 or Zone 2

**WARNING:**

The device is designed for installation in Class I, Division 2/Zone 2 (UL/cUL) potentially explosive areas. Observe the specified conditions for use in potentially explosive areas.

Install the RAD-900-IFS into a housing (control or distributor box) with at least IP54 protection (EN 60529) and is certified for use in Class I, Div. 2 or Zone 2.

The RAD-900-DAIO6 meets the IP65 degree of protection does not require an additional housing.

When installing and connecting the supply and signal circuits observe the requirements of EN 60079-14. Only devices suitable for operation in Ex zone 2 and the conditions at the application site may be connected to the circuits in zone 2.

In potentially explosive areas, only connect and disconnect cables when the power is disconnected.

Installation/removal of the devices on/from the TBUS DIN rail connector may only be performed when no voltage is applied.

1.6 Conformance

FCC

**NOTE:**

This equipment has been tested and found to comply with the limits for a Class A digital device, pursuant to part 15 of the FCC rules. These limits are designed to provide reasonable protection against harmful interference when the equipment is operated in a commercial environment. This equipment generates, uses and can radiate radio frequency energy and, if not installed and used in accordance with the instruction manual, may cause harmful interference to radio communications. Operation of this equipment in a residential area is likely to cause harmful interference, in which case, the user will be required to correct the interference at his own expense.

Changes or modifications not expressly approved by the party responsible for compliance could void the user's authority to operate the equipment.

This equipment complies with the FCC RF radiation exposure limits set forth for an uncontrolled environment. This equipment should be installed and operated with a minimum distance of 20 cm between the radiator and your body.

- FCC certificate: SGV-SHR-900

Industry Canada (IC)

Operation is subject to the following two conditions: (1) this device may not cause interference, and (2) this device must accept any interference, including interference that may cause undesired operation of the device.

To reduce potential radio interference to other users, the antenna type and its gain should be so chosen that the equivalent isotropically radiated power (EIRP) is not more than that permitted for successful communication.

This device has been designed to operate with the antennas listed in this document and having a maximum gain of 12 dB. Antennas not included in this list or having a gain greater than 12 dB are strictly prohibited for use with this device. The required antenna impedance is 50 Ω .

Under Industry Canada regulations, this radio transmitter may only operate using an antenna of a type and maximum (or lesser) gain approved for the transmitter by Industry Canada. To reduce potential radio interference to other users, the antenna type and its gain should be so chosen that the equivalent isotropically radiated power (EIRP) is not more than that necessary for successful communication.

- IC certificate: IC4720C-SHR900

2 Short description

Radioline is a wireless system for the transmission of analog and digital I/O signals and serial data. A Radioline network may contain up to 250 stations, and features a self-healing network topology. The Radioline product family consists of a DIN rail-mounted 900MHz transceiver, a variety of I/O extension modules for connection to the transceiver, an outdoor NEMA 4X version with built in I/O, and an RS-485 multiplexer module for expansion of a wireless I/O system.

2.1 RAD-900-IFS wireless module

In addition to an RS-232 and RS-485 two-wire interface, the RAD-900-IFS wireless module supports the option of directly connecting up to 32 I/O extension modules in the station structure via the DIN rail connector.

Addressing of the wireless module and I/O mapping of the extension modules is carried out quickly and easily by means of the thumbwheel on the front. You can use the yellow thumbwheel on the wireless module in order to set the RAD ID, and the white thumbwheel on the extensions modules to set the I/O-MAP address. Programming knowledge is not required. You can easily start up the wireless network without the need for software.

The PSI-CONF configuration and diagnostic software for special functions and diagnostics options in the wireless module is available free of charge.

Features

- Flexible network applications: I/O data, serial data, PLC/Modbus RTU mode
- Adjustable data rates for the wireless interface
- Easy point-to-point or network structures (star, mesh)
- Yellow thumbwheel for the unique addressing of wireless modules in the wireless network
- Integrated RS-232 and RS-485 interface
- Can be extended with up to 32 I/O modules per station via DIN rail connector (hotswappable)
- 128-bit AES data encryption and authentication
- Unique network addressing via plug-in configuration memory (RAD-CONF) for secure, parallel operation of multiple networks with different RF bands
- Data rates and ranges can be configured using the PSI-CONF software
- UL/cUL listed for installation in Class I, Div. 2/Zone 2 environments

2.1.1 Structure

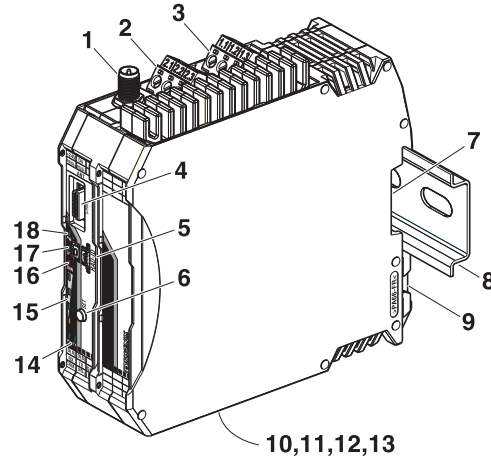


Figure 2-1 RAD-900-IFS structure

Table 2-1 RAD-900-IFS structure

Item	Designation
1	RSMA antenna connection (socket)
2	Test output RSSI (0...3 V DC) for evaluation of the wireless signal strength
3	Device supply (+24 V DC, 0 V)
4	12-pos. programming interface (S-PORT)
5	RAD ID address setting via thumbwheel
6	SET button
7	Connection option for TBUS DIN rail connector
8	DIN rail
9	DIN rail release latch
10	Connection terminal block RS-485 interface
11	Connection terminal block RS-232 interface
12	Relay output with PDT contact (floating)
13	D-SUB 9 connector (RS-232 interface)
14	RS-232/485 serial interface status LED (RX/TX)
15	LED bar graph for displaying the wireless signal strength
16	ERR status LED, red (communication error)
17	DAT status LED, green (BUS communication)
18	PWR status LED, green (supply voltage)

Circuit diagram

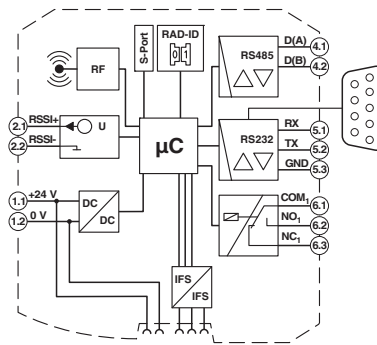


Figure 2-2 RAD-900-IFS circuit diagram

2.2 RAD-900-DAIO6

The RAD-900-DAIO6 is a NEMA 4X-rated wireless device with one analog input, one analog output, two digital inputs, and two digital outputs directly integrated. It does not have a serial interface.

The RAD-900-DAIO6 may be AC- or DC-powered, and addressing of the wireless module and I/O mapping of the extension modules is carried out quickly and easily by means of the thumbwheel on the front. You can use the yellow thumbwheel on the wireless module in order to set both the RAD ID and I/O-MAP address. Programming knowledge is not required. You can easily start up the wireless network without the need for software. It is interoperable with the RAD-900-IFS.

The PSI-CONF configuration and diagnostic software for special functions and diagnostics options in the wireless module is available free of charge.

2.2.1 Structure

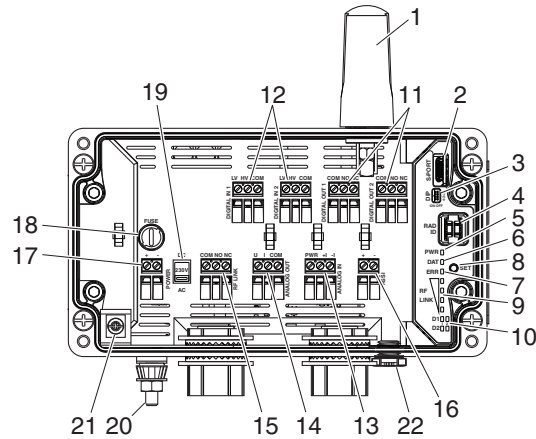


Figure 2-3 RAD-900-DAIO6 structure

Table 2-2 RAD-900-DAIO6 structure

Item	Designation
1	N-type antenna
2	12-pos. programming interface (S-PORT)
3	DIP switches for configuring I/O
4	RAD ID address setting via thumbwheel
5	PWR status LED, green (supply voltage)
6	DAT status LED, green (I/O communication)
7	ERR status LED, red (communication error)
8	SET button
9	LED bar graph for displaying the wireless signal strength
10	Status LEDs of the digital VO
11	Relay output with floating PDT contact
12	Digital input as wide-range input
13	Analog input for 2-, 3-, and 4-wire measuring transducers
14	Analog output (current or voltage)
15	RF link
16	Test output RSSI (0...3 V DC) for evaluation of the wireless signal strength
17	Device supply (+24 V DC/120 V AC, 0 V/neutral)
18	Fuse
19	Power selection switch
20	Ground lug
21	Internal ground screw
22	Breather

Table 2-3 DIP switches of the RAD-DAIO6-IFS

Setting	Output signal	DIP switch			
		1	2	3	4
Analog IN	0 ... 20 mA	OFF			
Analog IN	4 ... 20 mA	ON			
Analog OUT	RESET		OFF		
Analog OUT	HOLD		ON		
Digital OUT1	RESET			OFF	
Digital OUT1	HOLD			ON	
Digital OUT2	RESET				OFF
Digital OUT2	HOLD				ON

Circuit diagram

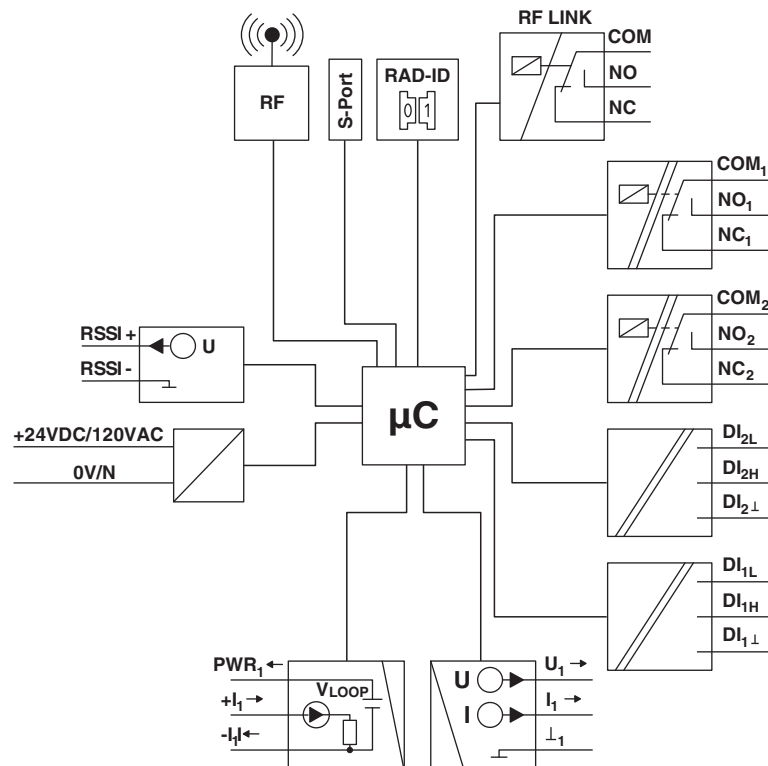


Figure 2-4 RAD-900-DAIO6 circuit diagram

3 Description of I/O extension modules

Various I/O extension modules are available for setting up the wireless system quickly and easily. This allows the number and type of I/O signals to be configured for specific applications.

For a detailed description of the available I/O extension modules, refer to the pages in Table 3-1.

Table 3-1 I/O extension modules

Module type		Descriptor	Order No.	See page
Analog	Four analog inputs	RAD-AI4-IFS	2901537	16
	Four Pt 100 inputs	RAD-PT100-4-IFS	2904035	20
	Four analog outputs	RAD-AO4-IFS	2901538	28
Digital	Four digital inputs	RAD-DI4-IFS	2901535	32
	Eight digital inputs or two pulse inputs	RAD-DI8-IFS	2901539	35
	Four digital relay outputs	RAD-DOR4-IFS	2901536	41
	Eight digital transistor - outputs	RAD-DO8-IFS	2902811	45
Analog/digital	One analog input/output, two digital wide-range - inputs/outputs	RAD-DAIO6-IFS	2901533	50

3.1 RAD-AI4-IFS - analog extension module with four inputs

The analog RAD-AI4-IFS I/O extension module can process up to four input signals between 0/4 mA ... 20 mA. All inputs are electrically isolated from one another, from the supply voltage, and from the electronics.

A supply voltage of 12 V DC, minimum, is available at the PWR₁ connection terminal block for passive sensors (see Figure 3-1, item 1).

3.1.1 Structure

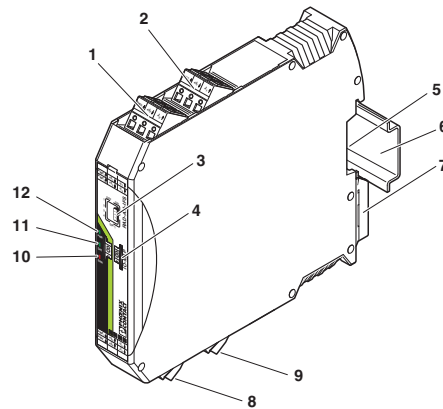


Figure 3-1 RAD-AI4-IFS structure

Item	Designation
1	Analog input 2 for 2-, 3-, 4-wire measuring transducers
2	Analog input 1 for 2-, 3-, 4-wire measuring transducers
3	DIP switches for configuring the analog inputs (current/voltage input)
4	White thumbwheel for setting the I/O-MAP address
5	Connection option for DIN rail connector
6	DIN rail
7	Metal foot catch for DIN rail fixing
8	Analog input 3 for 2-, 3-, 4-wire measuring transducers
9	Analog input 4 for 2-, 3-, 4-wire measuring transducers
10	ERR status LED, red (communication error)
11	DAT status LED, green (bus communication)
12	PWR status LED, green (supply voltage)

3.1.2 Basic circuit diagram

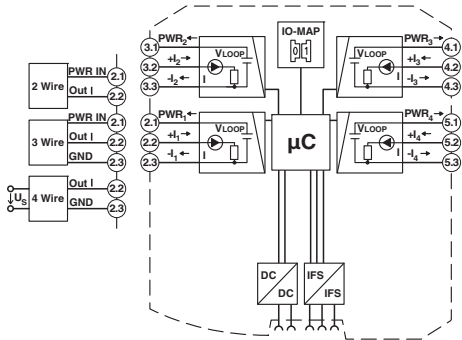


Figure 3-2 Basic circuit diagram for the RAD-AI4-IFS

3.1.3 Setting the DIP switches

Using the DIP switches on the front, you can configure the inputs signals (0 mA ... 20 mA or 4 mA ... 20 mA). Any changes in the setting of the DIP switches will be directly applied.

In PLC/Modbus RTU mode, the setting of the input signals is evaluated for error diagnostics. With the setting 4 mA ... 20 mA, it is, for example, possible to detect an open circuit.

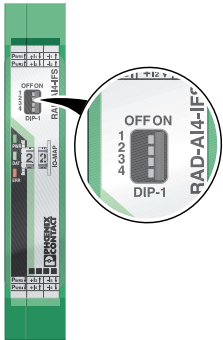


Figure 3-3 DIP switches of the RAD-AI4-IFS

Table 3-2 DIP switches of the RAD-AI4-IFS

Setting	Input signal	DIP switch			
		1	2	3	4
Analog IN1	0 mA ... 20 mA	OFF			
Analog IN1	4 mA ... 20 mA	ON			
Analog IN2	0 mA ... 20 mA		OFF		
Analog IN2	4 mA ... 20 mA		ON		
Analog IN3	0 mA ... 20 mA			OFF	
Analog IN3	4 mA ... 20 mA			ON	
Analog IN4	0 mA ... 20 mA				OFF
Analog IN4	4 mA ... 20 mA				ON

3.1.4 Diagnostic LEDs

The RAD-AI4-IFS I/O extension module uses a total of three LEDs to indicate the operating states.

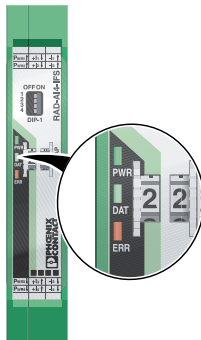


Figure 3-4 Diagnostic LEDs of the RAD-AI4-IFS

PWR LED

The green PWR LED indicates the supply voltage status.

- OFF No supply voltage
- ON Supply voltage OK

DAT LED

The green DAT LED indicates the bus communication status.

- OFF No communication
- Flashing Configuration and addressing mode
- ON Cyclic data communication

ERR LED

The red ERR LED indicates the error status.

OFF	No error
Flashing	
Slow (1.4 Hz)	I/O-MAP address changed
Fast (2.8 Hz)	No bus communication
ON	Critical internal error

3.1.5 Setting the I/O-MAP address

Use the thumbwheel to set the I/O-MAP address. The extension module in the Radioline wireless system is addressed using the I/O-MAP address. You can assign a maximum of 01 ... 99 addresses to the I/O extension modules in the entire wireless network.

Table 3-3 Setting the I/O-MAP address for the RAD-AI4-IFS

Thumbwheel setting	Description
01 ... 99	I/O-MAP address
00	Delivery state
** , 1* ... 9*	Setting not permitted
*1 ... *9	Interface System slave address, for use with other Interface System (IFS) master devices

3.1.6 Process data in PLC/Modbus RTU mode

The process image of the I/O extension module consists of six data words. For additional information, please refer to Section 3.1, "RAD-AI4-IFS - analog extension module with four inputs".

I/O module	Module type ID	Number of registers	Address area	Function code
RAD-AI4-IFS	20 _{hex}	06 _{hex}	30xx0 ... 30xx5	fc 04

3.2 RAD-PT100-4-IFS - extension module with four temperature inputs



Use the I/O extension modules in connection with the RAD-900-... wireless module, firmware version 1.40 or later. You can update the firmware free of charge using the PSI-CONF software, Version 2.04 or later.

The firmware and software can be found on the Internet at phoenixcontact.net/products.

The analog RAD-PT100-4-IFS I/O extension module has four Pt 100 inputs for temperatures between -50°C ... +250°C. The Pt 100 inputs T1 ... T4 can be mapped to the analog outputs I1/U1 ... I4/U4 of the RAD-AO4-IFS extension module. All the inputs are electrically isolated from one another, from the supply voltage, and from the remaining electronics.

Pt 100 resistance thermometers can be connected to the RAD-PT100-4-IFS I/O extension module. The thermometers change their resistance depending on the temperature. The Pt 100 input signals are acquired by the RAD-PT100-4-IFS and can be mapped to proportional, analog voltage or current signals of the RAD-AO4-IFS output module.

Example: At the Pt 100 input, a current of 0 mA or a voltage of 0 V is released at the output module at a temperature of -50°C. At the Pt 100 input, a current of 20 mA or a voltage of 10 V is released at the output at a temperature of 250°C.

Pt 100 input	Analog output
-50°C	0 mA or 0 V
+250°C	20 mA or 10 V

3.2.1 Connecting sensors

You can connect 2-wire or 3-wire sensors to the extension module. Observe the measuring errors depending on the different measuring methods.

2-wire connection technology

2-wire connection technology is the most cost-effective connection method. The temperature-related voltage is not directly measured at the sensor and therefore falsified by the two cable resistances R_L . The measuring errors that occur may lead to the entire measurement to become useless. Please observe the diagrams in Section "Measuring errors using 2-wire connection technology" on page 22.

With 2-wire technology, you need an insertion bridge between terminals x.2 and x.3.

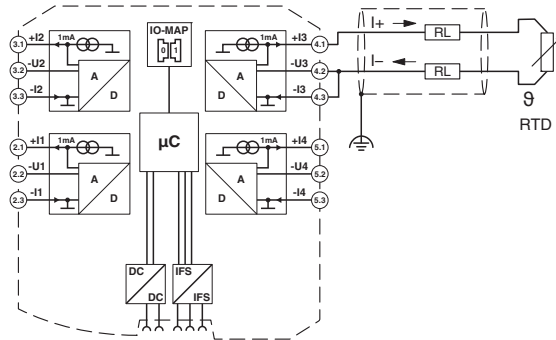


Figure 3-5 2-wire connection technology

3-wire connection technology

With 3-wire connection technology, the temperature-related voltage is measured several times. Corresponding calculations additionally reduce the effect of the cable resistance on the measurement result. The results are almost as good as those achieved using the 4-wire technology.

The cable resistances R_L at the terminals +I and -I must have the same value. This allows you to subtract the established cable resistance from the measurement result and to get the Pt 100 platinum resistance value.

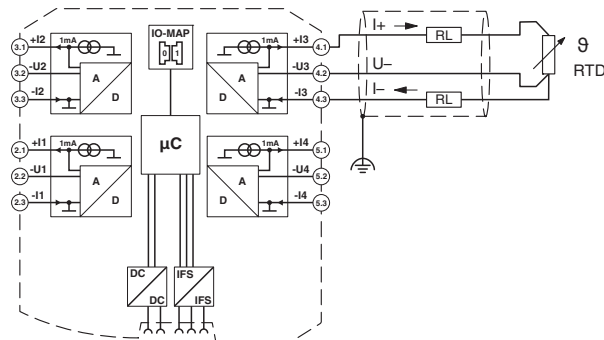


Figure 3-6 3-wire connection technology

4-wire connection technology

The RAD-PT100-4-IFS does not support the 4-wire connection technology.

- If you want to use a 4-wire sensor, only connect three of the four wires.
- The fourth wire should be left unwired. Otherwise there will be a different resistance in the +I and -I cables owing to the parallel connection of two cable resistances.

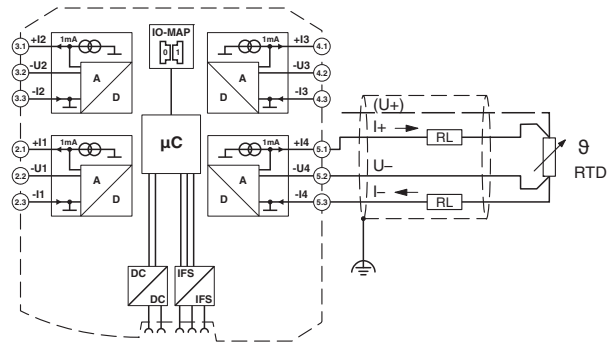


Figure 3-7 4-wire connection technology

3.2.2 Measuring errors using 2-wire connection technology

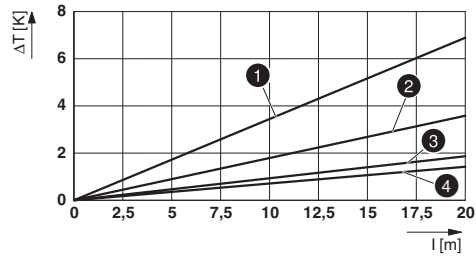


Figure 3-8 Systematic temperature measuring error ΔT depending on the cable length l

Curves depending on cable cross section A

- 1 Temperature measuring error for $A = 0.25 \text{ mm}^2$
- 2 Temperature measuring error for $A = 0.5 \text{ mm}^2$
- 3 Temperature measuring error for $A = 1.0 \text{ mm}^2$
- 4 Temperature measuring error for $A = 1.5 \text{ mm}^2$

(Measuring error valid for: copper cable $\chi = 57 \text{ m}/\Omega\text{mm}^2$, $T_A = 25^\circ\text{C}$ and Pt 100 sensor)

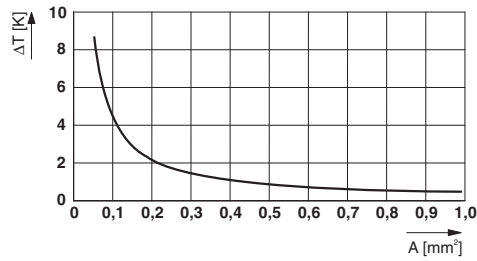


Figure 3-9 Systematic temperature measuring error ΔT depending on the cable cross section A

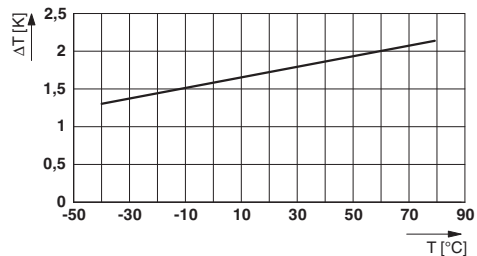


Figure 3-10 Systematic temperature measuring error ΔT depending on the cable temperature T_A

(Measuring error valid for: copper cable $\chi = 57 \text{ m}/\Omega\text{mm}^2$, $T_A = 25^\circ\text{C}$ and Pt 100 sensor)

Make sure that the cable resistance and therefore the measuring error is as low as possible.

- Use sensor cables that are as short as possible.
- Avoid conductor cross sections smaller than 0.5 mm^2 .

The temperature has only a small influence on the cable resistance.

You can calculate the cable resistance as follows:

$$R_L = R_{L20} \times \left[1 + 0.0039 \frac{1}{\text{K}} \times (T_A - 20^\circ\text{C}) \right]$$

$$R_L = \frac{l}{\chi \times A} \times \left[1 + 0.0039 \frac{1}{\text{K}} \times (T_A - 20^\circ\text{C}) \right]$$

R_L	Cable resistance in Ω
R_{L20}	Cable resistance at 20°C in Ω
l	Line length in m
χ	Specific resistance of copper in $\text{m}/\Omega\text{mm}^2$
A	Cable cross section in mm^2
0.0039 1/K	Temperature coefficient for copper (degree of purity of 99.99%)
T_A	Ambient temperature (cable temperature) in $^\circ\text{C}$

Due to there being two cable resistances in the measuring system, the value must be doubled. Using the average temperature coefficient $\alpha = 0.385 \text{ } \Omega/\text{K}$ for Pt 100, the absolute measuring error in Kelvin can be determined for platinum sensors according to DIN standards.

3.2.3 Shielding of the sensor cables

Always connect the analog sensors using shielded, twisted pair cables (e.g., LiYCY, TP 2 x 2 x 0.5 mm²).

- Immediately following entry in the control cabinet, connect the cable shields to the corresponding shield connection clamps.



Please note that the electrical isolation between the channels may no longer occur when connecting the shields. The isolating distances between the individual channels need to be re-evaluated after connecting the shields. The distances between the individual wires and the common shields are crucial in this respect.

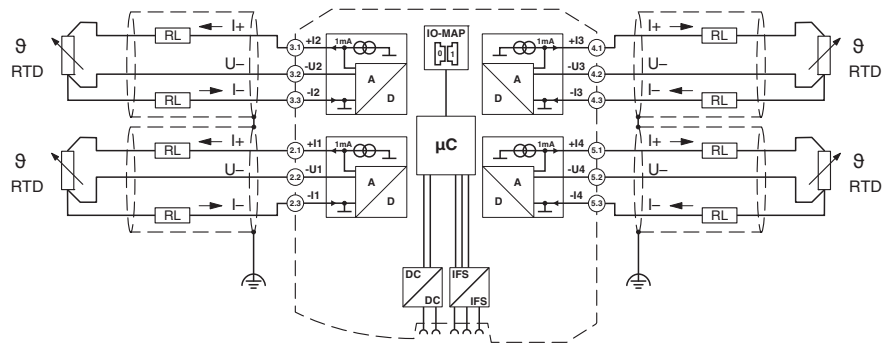


Figure 3-11 Shielding with 3-wire connection technology

2-wire connection technology with twisted pair cables and shielding

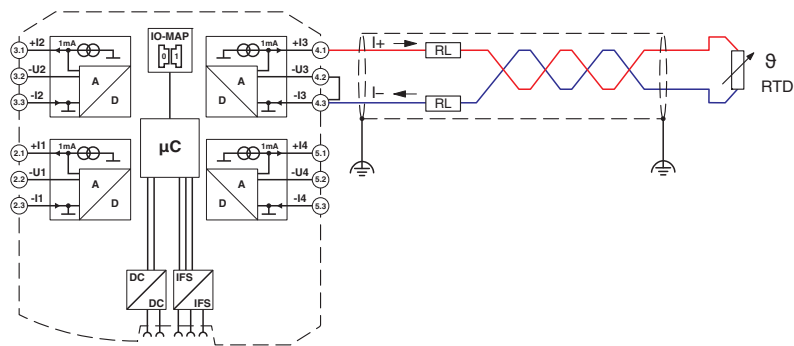


Figure 3-12 2-wire connection technology with twisted pair cables and shielding

3-wire connection technology with twisted pair cables and shielding

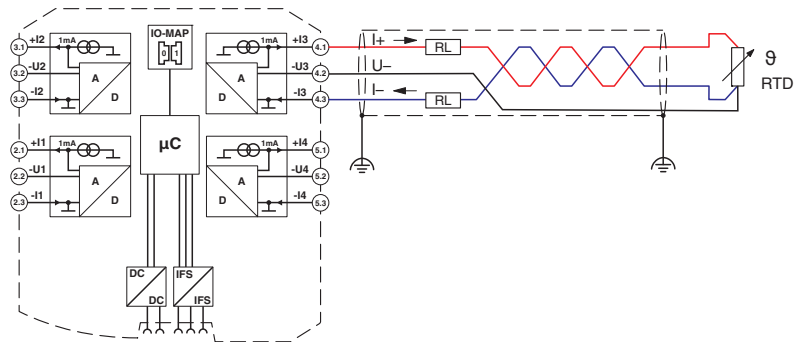


Figure 3-13 3-wire connection technology with twisted pair cables and shielding

3.2.4 Structure

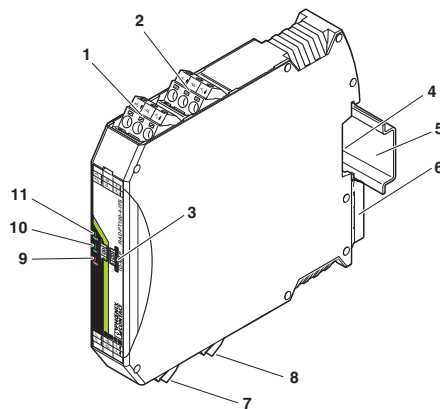


Figure 3-14 RAD-PT100-4-IFS structure

Item	Designation
1	Pt 100 input 2 for 2- and 3-wire sensors
2	Pt 100 input 1 for 2- and 3-wire sensors
3	White thumbwheel for setting the I/O-MAP address
4	Connection option for DIN rail connector
5	DIN rail
6	Metal foot catch for DIN rail fixing
7	Pt 100 input 3 for 2- and 3-wire sensors
8	Pt 100 input 4 for 2- and 3-wire sensors
9	ERR status LED, red (communication error)
10	DAT status LED, green (bus communication)
11	PWR status LED, green (supply voltage)

3.2.5 Basic circuit diagram

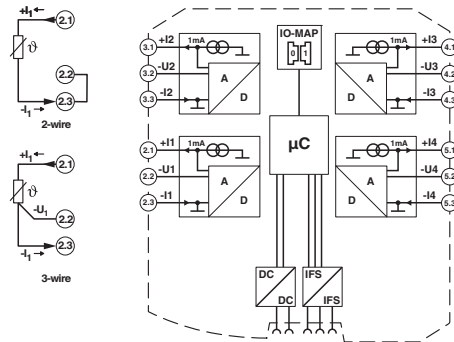


Figure 3-15 Basic circuit diagram for the RAD-PT100-4-IFS



With 2-wire technology, you need an insertion bridge between terminals x.2 and x.3. In this case, the measuring accuracy is reduced (see “Measuring errors using 2-wire connection technology” on page 22).

3.2.6 Diagnostic LEDs

The RAD-PT100-4-IFS I/O extension module uses a total of three LEDs to indicate the operating states.

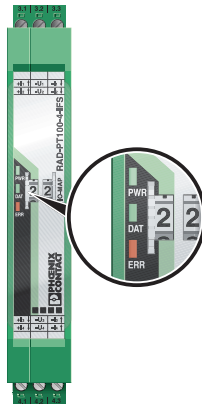


Figure 3-16 Diagnostic LEDs of the RAD-PT100-4-IFS

PWR LED

The green PWR LED indicates the supply voltage status.

- OFF No supply voltage
- ON Supply voltage OK

DAT LED

The green DAT LED indicates the bus communication status.

OFF	No communication
Flashing	Configuration and addressing mode
ON	Cyclic data communication

ERR LED

The red ERR LED indicates the error status.

OFF	No error
Flashing	
Slow (1.4 Hz)	I/O-MAP address changed
Fast (2.8 Hz)	No bus communication
ON	Critical internal error

3.2.7 Setting the I/O-MAP address

Use the thumbwheel to set the I/O-MAP address. The extension module in the Radioline wireless system is addressed using the I/O-MAP address. You can assign a maximum of 01 ... 99 addresses to the I/O extension modules in the entire wireless network.

Table 3-4 Setting the I/O-MAP address for the RAD-PT100-4-IFS

Thumbwheel setting	Description
01 ... 99	I/O-MAP address
00	Delivery state
** , 1* ... 9*	Setting not permitted
*1 ... *9	Interface System slave address, for use with other Interface System (IFS) master devices

3.2.8 Process data in PLC/Modbus RTU mode

The process image of the I/O extension module consists of six data words. For additional information, please refer to Section 3.2, "RAD-PT100-4-IFS - extension module with four temperature inputs".

I/O module	Module type ID	Number of registers	Address area	Function code
RAD-PT100-4-IFS	21 _{hex}	06 _{hex}	30xx0 ... 30xx5	fc 04

3.3 RAD-AO4-IFS - analog extension module with four outputs

Using the analog RAD-AO4-IFS I/O extension module, up to four signals between 0/4 mA ... 20 mA can be output. All the outputs are electrically isolated from one another, from the supply voltage, and from the electronics.



Use either the current or voltage output per analog channel.

3.3.1 Structure

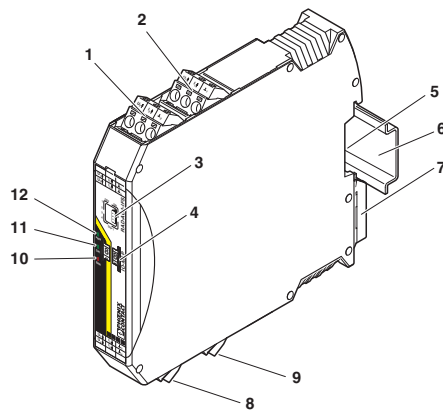


Figure 3-17 RAD-AO4-IFS structure

Item	Designation
1	Analog output 2 (alternatively current or voltage)
2	Analog output 1 (alternatively current or voltage)
3	DIP switches for configuring the outputs (current/voltage output)
4	White thumbwheel for setting the I/O-MAP address
5	Connection option for DIN rail connector
6	DIN rail
7	Metal foot catch for DIN rail fixing
8	Analog output 3 (alternatively current or voltage)
9	Analog output 4 (alternatively current or voltage)
10	ERR status LED, red (communication error)
11	DAT status LED, green (bus communication)
12	PWR status LED, green (supply voltage)

3.3.2 Basic circuit diagram

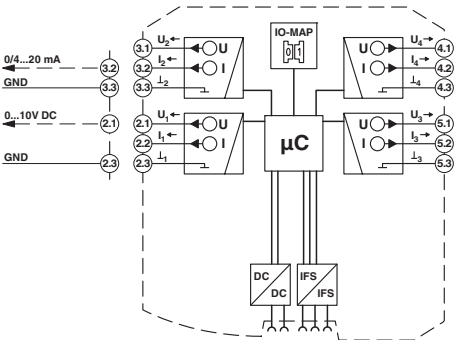


Figure 3-18 Basic circuit diagram for the RAD-AO4-IFS

3.3.3 Setting the DIP switches

You can use the DIP switches on the front to set the behavior of the outputs in the event of an error (e.g., interruption of the wireless connection). Any changes in the setting of the DIP switches will be directly applied.

- RESET = Output value is set to 0
- HOLD = Hold last valid output value

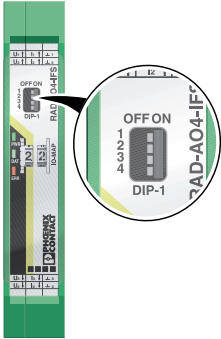


Figure 3-19 DIP switches of the RAD-AO4-IFS

Table 3-5 DIP switches of the RAD-AO4-IFS

Input	Output signal	DIP switch			
		1	2	3	4
Analog OUT1	RESET	OFF			
Analog OUT1	HOLD	ON			
Analog OUT2	RESET		OFF		
Analog OUT2	HOLD		ON		
Analog OUT3	RESET			OFF	
Analog OUT3	HOLD			ON	
Analog OUT4	RESET				OFF
Analog OUT4	HOLD				ON

3.3.4 Diagnostic LEDs

The RAD-AO4-IFS I/O extension module uses a total of three LEDs to indicate the operating states.

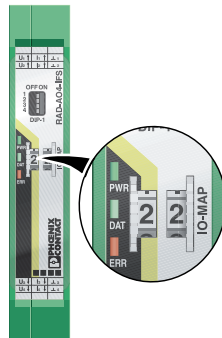


Figure 3-20 Diagnostic LEDs of the RAD-AO4-IFS

PWR LED

The green PWR LED indicates the supply voltage status.

- OFF No supply voltage
- ON Supply voltage OK

DAT LED

The green DAT LED indicates the bus communication status.

- OFF No communication
- Flashing Configuration and addressing mode
- ON Cyclic data communication

ERR LED

The red ERR LED indicates the error status, e.g., if a corresponding input module has not been found.

OFF	No error
Flashing	
Slow (1.4 Hz)	I/O-MAP address changed
Fast (2.8 Hz)	Wireless module in I/O data mode
	– Missing input module
	– No bus communication
	Wireless module in PLC/Modbus RTU mode
	– No Modbus communication (safe state of outputs, depending on DIP switch setting)
ON	Critical internal error

3.3.5 Setting the I/O-MAP address

Use the thumbwheel to set the I/O-MAP address. The extension module in the Radioline wireless system is addressed using the I/O-MAP address. You can assign a maximum of 01 ... 99 addresses to the I/O extension modules in the entire wireless network.

Table 3-6 Setting the I/O-MAP address for the RAD-AO4-IFS

Thumbwheel setting	Description
01 ... 99	I/O-MAP address
00	Delivery state
** , 1* ... 9*	Setting not permitted
*1 ... *9	Interface System slave address, for use with other Interface System (IFS) master devices

3.3.6 Process data in PLC/Modbus RTU mode

The process image of the I/O extension module consists of six data words. For additional information, please refer to Section 3.3, "RAD-AO4-IFS - analog extension module with four outputs".

I/O module	Module type ID	Number of registers	Address area	Function code
RAD-AO4-IFS	30 _{hex}	06 _{hex}	40xx0 ... 40xx5	fc 03, 16

3.4 RAD-DI4-IFS - digital extension module with four inputs



WARNING: Risk of electric shock

Use the same phase for digital inputs and digital outputs. The isolating voltage between the individual channels must not exceed 300 V.

The digital RAD-DI4-IFS I/O extension module can process up to four input signals. The digital inputs process voltages between 0 V ... 50 V AC/DC at the low-voltage input and voltages between 0 V ... 250 V AC/DC at the high-voltage input. All inputs are electrically isolated from one another, from the supply voltage, and from the electronics.

3.4.1 Structure

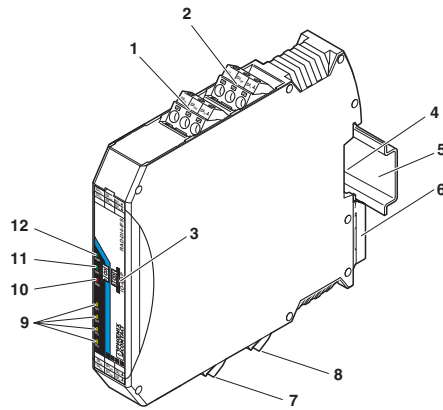


Figure 3-21 RAD-DI4-IFS structure

Item	Designation
1	Digital input as wide-range input
2	Digital input as wide-range input
3	White thumbwheel for setting the I/O-MAP address
4	Connection option for DIN rail connector
5	DIN rail
6	Metal foot catch for DIN rail fixing
7	Digital input as wide-range input
8	Digital input as wide-range input
9	Status LEDs for digital inputs DI1 ... DI4
10	ERR status LED, red (communication error)
11	DAT status LED, green (bus communication)
12	PWR status LED, green (supply voltage)

3.4.2 Basic circuit diagram

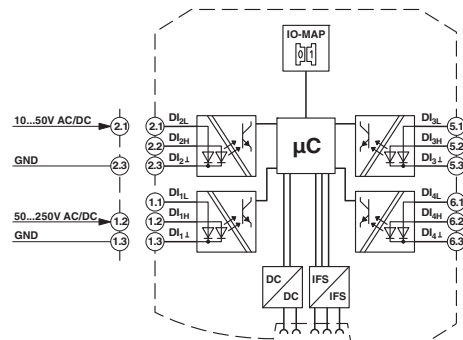


Figure 3-22 Basic circuit diagram for the RAD-DI4-IFS

3.4.3 Diagnostic LEDs

The RAD-DI4-IFS I/O extension module uses a total of seven LEDs to indicate the operating states.

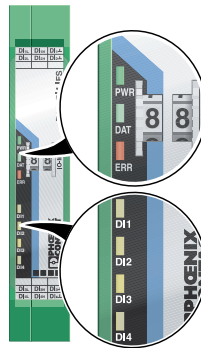


Figure 3-23 Diagnostic LEDs of the RAD-DI4-IFS

PWR LED

The green PWR LED indicates the supply voltage status.

OFF	No supply voltage
ON	Supply voltage OK

DAT LED

The green DAT LED indicates the bus communication status.

OFF	No communication
Flashing	Configuration and addressing mode
ON	Cyclic data communication

ERR LED

The red ERR LED indicates the error status, e.g., if a corresponding output module has not been found.

OFF	No error
Flashing	
Slow (1.4 Hz)	I/O-MAP address changed
Fast (2.8 Hz)	No bus communication
ON	Critical internal error

DI1 ... DI4

The yellow DI1 ... DI4 LEDs indicate the status of the digital inputs.

3.4.4 Setting the I/O-MAP address

Use the thumbwheel to set the I/O-MAP address. The extension module in the Radioline wireless system is addressed using the I/O-MAP address. You can assign a maximum of 01 ... 99 addresses to the I/O extension modules in the entire wireless network.

Table 3-7 Setting the I/O-MAP address for the RAD-DI4-IFS

Thumbwheel setting	Description
01 ... 99	I/O-MAP address
00	Delivery state
** , 1* ... 9*	Setting not permitted
*1 ... *9	Interface System slave address, for use with other Interface System (IFS) master devices

3.4.5 Process data in PLC/Modbus RTU mode

The process image of the I/O extension module consists of two data words. For additional information, please refer to Section 3.4, "RAD-DI4-IFS - digital extension module with four inputs".

I/O module	Module type ID	Number of registers	Address area	Function code
RAD-DI4-IFS	01 _{hex}	02 _{hex}	30xx0 ... 30xx1	fc 04

3.5 RAD-DI8-IFS - digital extension module with eight inputs



Use the I/O extension modules in connection with the RAD-900-... wireless module, firmware version 1.40 or later. You can update the firmware free of charge using the PSI-CONF software, Version 2.04 or later.

The firmware and software can be found on the Internet at phoenixcontact.net/products.

The digital RAD-DI8-IFS I/O extension module can process up to eight digital input signals or two pulse signals. You can use DIP switch 1 to set the operating mode. For more detailed information on setting the DIP switch, please refer to page 36.

The eight digital inputs are arranged in two groups of four inputs each with a common reference potential (GND). The two DC groups are electrically isolated from one another, from the supply voltage, and from the electronics.

3.5.1 Structure

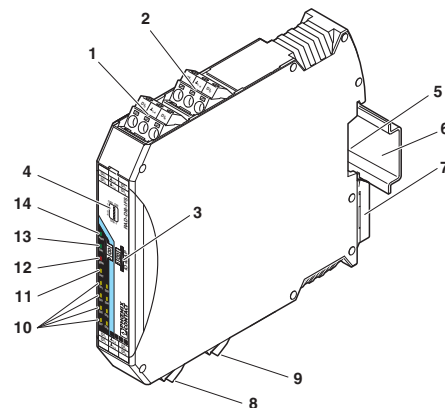


Figure 3-24 RAD-DI8-IFS structure

Item	Designation
1	Digital inputs 3 + 4
2	Digital inputs 1 + 2, DI1: pulse input 1
3	White thumbwheel for setting the I/O-MAP address
4	DIP switch for switching between static mode and pulse counter mode for digital inputs
5	Connection option for DIN rail connector
6	DIN rail
7	Metal foot catch for DIN rail fixing
8	Digital inputs 5 + 6
9	Digital inputs 7 + 8, DI7: pulse input 2
10	Status LEDs for digital inputs DI1 ... DI8

Item	Designation
11	CNT status LED, green (pulse counter mode)
12	ERR status LED, red (communication error)
13	DAT status LED, green (bus communication)
14	PWR status LED, green (supply voltage)

3.5.2 Basic circuit diagram

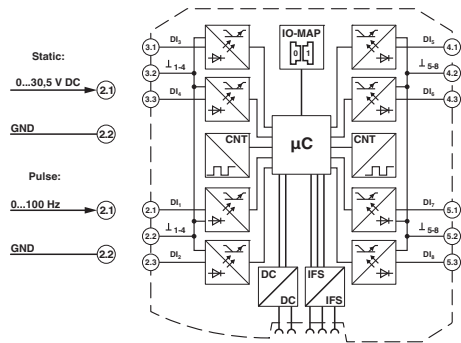


Figure 3-25 Basic circuit diagram for the RAD-DI8-IFS

3.5.3 Setting the DIP switches

You can use the DIP switches on the front to select between static mode or pulse counter mode.

- In static mode, the DI1 ... DI8 inputs are activated, 0 V ... 30.5 V DC voltage.
- In pulse counter mode, the DI1 and DI7 pulse inputs are activated, 0 Hz ... 100 Hz pulses.



The pulse counter function is only available in PLC/Modbus RTU mode. Set the operating mode using the PSI-CONF software (from Section 5.6, "Configuration via PSI-CONF software" onwards).

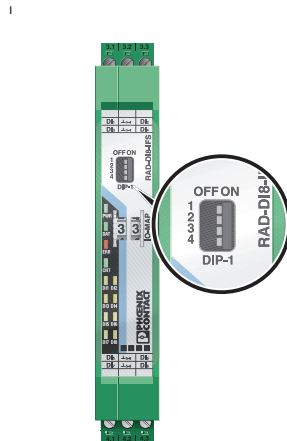


Figure 3-26 DIP switches of the RAD-DI8-IFS

Table 3-8 DIP switches of the RAD-DI8-IFS

Input	Output signal	DIP switch			
		1	2	3	4
Digital IN DI1 ... DI8	Static mode	OFF	n.c.	n.c.	n.c.
Counter IN DI1 + DI7	Pulse counter mode	ON	n.c.	n.c.	n.c.

n. c. = not connected, DIP switches 2 ... 4 have no function

- Use DIP switch 1 to select between static mode and pulse counter mode.
- Disconnect the device from the supply voltage.
- Switch the supply voltage back on.
- The selected mode is now active.

3.5.4 Functions in pulse counter mode

The counter state can only increase consecutively. When the maximum counter limit of 4,294,967,295 is reached, the counter is automatically set back to 0. In addition, you can manually reset the counter states in three different ways:

Reset counter state via power up

- Disconnect the device power supply and then reconnect the voltage.

Reset counter state via the Modbus RTU register

- Reset the counter states via Modbus RTU as follows:
 - DI1: bit 0 = 1 (register 40xx1)
 - DI7: bit 1 = 1 (register 40xx1)

Reset counter state by setting the inputs

- Set the corresponding input for at least 0.5 seconds:
 - Set the **DI3** input in order to reset the **DI1** counter state.
 - Set the **DI5** input in order to reset the **DI7** counter state.

3.5.5 Diagnostic LEDs

The RAD-DI8-IFS I/O extension module uses a total of twelve LEDs to indicate the operating states.

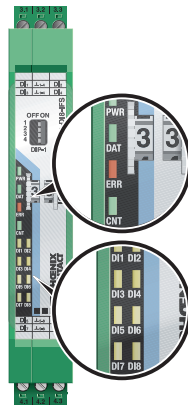


Figure 3-27 Diagnostic LEDs of the RAD-DI8-IFS

PWR LED

The green PWR LED indicates the supply voltage status.

- OFF No supply voltage
- ON Supply voltage OK

DAT LED

The green DAT LED indicates the bus communication status.

- OFF No communication
- Flashing Configuration and addressing mode
- ON Cyclic data communication

ERR LED

The red ERR LED indicates the error status.

- OFF No error
- Flashing
 - Slow (1.4 Hz) I/O-MAP address changed or mode switched using DIP switch 1, but not yet applied
 - Fast (2.8 Hz) No bus communication
- ON Critical internal error

CNT LED

The green CNT LED indicates that pulse counter mode is activated.

OFF	No error
Flashing	Mode switched using DIP switch 1, but not yet applied
ON	Pulse counter mode of digital inputs DI1 and DI7

DI1 ... DI8

The yellow DI1 ... DI8 LEDs indicate the status of the digital inputs.

In pulse counter mode: The DI1 and DI7 LEDs flash in time with the recorded pulses. The DI3 and DI5 LEDs light up when the counter state is reset.

DI3	ON (0.5 second)	Counter state DI1 reset to 0
DI5	ON (0.5 second)	Counter state DI7 reset to 0

3.5.6 Setting the I/O-MAP address

Use the thumbwheel to set the I/O-MAP address. The extension module in the Radioline wireless system is addressed using the I/O-MAP address. You can assign a maximum of 01 ... 99 addresses to the I/O extension modules in the entire wireless network.

Table 3-9 Setting the I/O-MAP address for the RAD-DI8-IFS

Thumbwheel setting	Description
01 ... 99	I/O-MAP address
00	Delivery state
** , 1* ... 9*	Setting not permitted
*1 ... *9	Interface System slave address, for use with other Interface System (IFS) master devices

3.5.7 Process data in PLC/Modbus RTU mode

The process image of the I/O extension module consists of eight data words. For additional information, please refer to Section 3.5, "RAD-DI8-IFS - digital extension module with eight inputs".

I/O module	Module type ID	Number of registers	Address area	Function code
RAD-DI8-IFS	02 _{hex} Static mode	02 _{hex} Static inputs	30xx0 ... 30xx1	fc 04
	40 _{hex} Pulse counter mode	06 _{hex} Pulse inputs	30xx0 ... 30xx5	fc 04
	40 _{hex} Pulse counter mode	02 _{hex} Reset counter states	40xx0 ... 40xx1	fc 03, 16

3.6 RAD-DOR4-IFS - digital extension module with four outputs


WARNING: Risk of electric shock

Use the same phase for digital inputs and digital outputs. The isolating voltage between the individual channels must not exceed 300 V.

The digital RAD-DOR4-IFS I/O extension module can process up to four input signals that are switched via relay outputs. The digital outputs are designed as floating relay contacts (PDT). All outputs are electrically isolated from one another, from the supply voltage, and from the electronics.

3.6.1 Structure

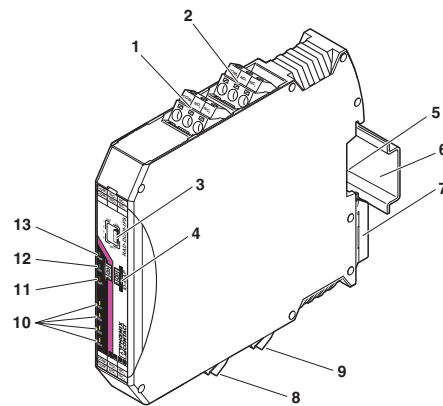


Figure 3-28 RAD-DOR4-IFS structure

Item	Designation
1	Relay output 2 with floating PDT contact
2	Relay output 1 with floating PDT contact
3	DIP switches for configuring the output behavior of the relay outputs (hold/reset)
4	White thumbwheel for setting the I/O-MAP address
5	Connection option for DIN rail connector
6	DIN rail
7	Metal foot catch for DIN rail fixing
8	Relay output 3 with floating PDT contact
9	Relay output 4 with floating PDT contact
10	Status LEDs for the relay outputs DO1 ... DO4
11	ERR status LED, red (communication error)
12	DAT status LED, green (bus communication)
13	PWR status LED, green (supply voltage)

3.6.2 Basic circuit diagram

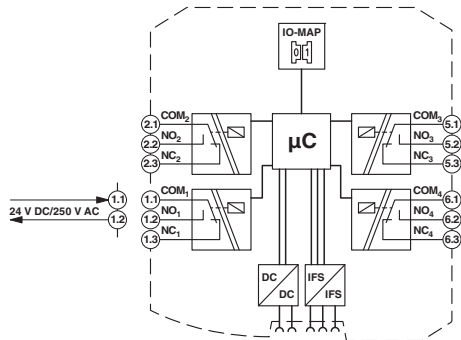


Figure 3-29 Basic circuit diagram for the RAD-DOR4-IFS

3.6.3 Setting the DIP switches

You can use the DIP switches on the front to set the behavior of the outputs in the event of an error (e.g., interruption of the wireless connection). Any changes in the setting of the DIP switches will be directly applied.

- RESET = Output value is set to 0
- HOLD = Hold last output value

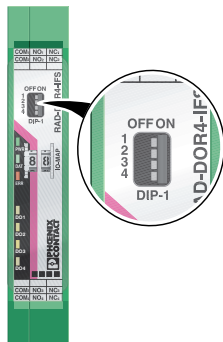


Figure 3-30 DIP switches of the RAD-DOR4-IFS

Table 3-10 DIP switches of the RAD-DOR4-IFS

Setting	Output signal	DIP switch			
		1	2	3	4
Digital OUT1	RESET	OFF			
Digital OUT1	HOLD	ON			
Digital OUT2	RESET		OFF		

Table 3-10 DIP switches of the RAD-DOR4-IFS

Setting	Output signal	DIP switch			
		1	2	3	4
Digital OUT2	HOLD		ON		
Digital OUT3	RESET			OFF	
Digital OUT3	HOLD			ON	
Digital OUT4	RESET				OFF
Digital OUT4	HOLD				ON

3.6.4 Diagnostic LEDs

The RAD-DOR4-IFS I/O extension module uses a total of seven LEDs to indicate the operating states.

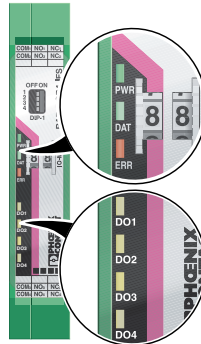


Figure 3-31 Diagnostic LEDs of the RAD-DOR4-IFS

PWR LED

The green PWR LED indicates the supply voltage status.

OFF	No supply voltage
ON	Supply voltage OK

DAT LED

The green DAT LED indicates the bus communication status.

OFF	No communication
Flashing	Configuration and addressing mode
ON	Cyclic data communication

ERR LED

The red ERR LED indicates the error status, e.g., if a corresponding input module has not been found.

OFF	No error
Flashing	
Slow (1.4 Hz)	I/O-MAP address changed
Fast (2.8 Hz)	Wireless module in I/O data mode
	– Missing input module
	– No bus communication
	Wireless module in PLC/Modbus RTU mode
	– No Modbus communication (safe state of outputs, depending on DIP switch setting)
ON	Critical internal error

DO1 ... DO4

The yellow LEDs DO1 ... DO4 LEDs indicate the status of the digital outputs.

3.6.5 Setting the I/O-MAP address

Use the thumbwheel to set the I/O-MAP address. The extension module in the Radioline wireless system is addressed using the I/O-MAP address. You can assign a maximum of 01 ... 99 addresses to the I/O extension modules in the entire wireless network.

Table 3-11 Setting the I/O-MAP address for the RAD-DOR4-IFS

Thumbwheel setting	Description
01 ... 99	I/O-MAP address
00	Delivery state
** , 1* ... 9*	Setting not permitted
*1 ... *9	Interface System slave address, for use with other Interface System (IFS) master devices

Process data in PLC/Modbus RTU mode

The process image of the I/O extension module consists of two data words. For additional information on process data, please refer to Section 3.6, “RAD-DOR4-IFS - digital extension module with four outputs”.

I/O module	Module type ID	Number of registers	Address area	Function code
RAD-DOR4-IFS	10 _{hex}	02 _{hex}	40xx0 ... 40xx1	fc 03, 16

3.7 RAD-DO8-IFS - digital extension module with eight outputs



Use the I/O extension modules in connection with the RAD-900-... wireless module, firmware version 1.40 or later. You can update the firmware free of charge using the PSI-CONF software, Version 2.04 or later.

The firmware and software can be found on the Internet at phoenixcontact.net/products.

The digital RAD-DO8-IFS I/O extension module processes up to eight digital output signals that are switched via transistor outputs. The eight outputs are arranged in two groups of four outputs each with a common electrical supply. The two output groups are electrically isolated from one another, from the supply voltage, and from the electronics.

Since the DO1 ... DO4 and DO5 ... DO8 output groups are electrically isolated, the digital outputs must be externally supplied (see Figure 3-33).

- The DO1 ... DO4 outputs are supplied via:
 - Terminal 1.1 (12 V DC ... 30.5 V DC)
 - Terminals 1.2/1.3 (GND)
- The DO5 ... DO8 outputs are supplied via:
 - Terminal 6.1 (12 V DC ... 30.5 V DC)
 - Terminals 6.2/6.3 (GND)

3.7.1 Structure

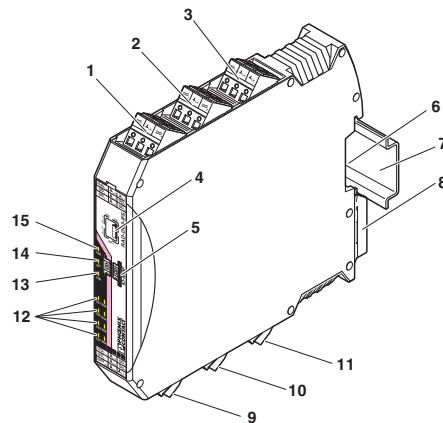


Figure 3-32 RAD-DO8-IFS structure

Item	Designation
1	Transistor outputs 3 + 4
2	Transistor outputs 1 + 2
3	Supply voltage for outputs 1 ... 4
4	DIP switches for setting the output behavior of the transistor outputs (hold/reset)
5	White thumbwheel for setting the I/O-MAP address
6	Connection option for DIN rail connector

Item	Designation
7	DIN rail
8	Metal foot catch for DIN rail fixing
9	Transistor outputs 5 + 6
10	Transistor outputs 7 + 8
11	Supply voltage for outputs 5 ... 8
12	Status LEDs of transistor outputs DO1 ... DO8
13	ERR status LED, red (communication error)
14	DAT status LED, green (bus communication)
15	PWR status LED, green (supply voltage)

3.7.2 Basic circuit diagram

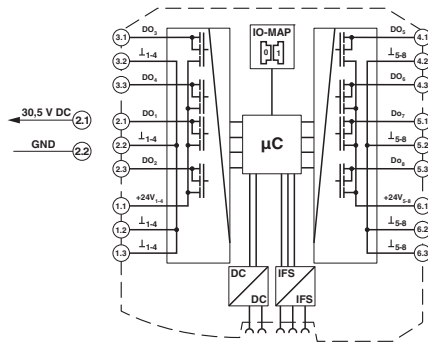


Figure 3-33 Basic circuit diagram for the RAD-DO8-IFS

3.7.3 Setting the DIP switches

You can use the DIP switches on the front to set the behavior of the outputs in the event of an error (e.g., interruption of the wireless connection). Any changes in the setting of the DIP switches will be directly applied.

- RESET = Output value is set to 0
- HOLD = Hold last output value

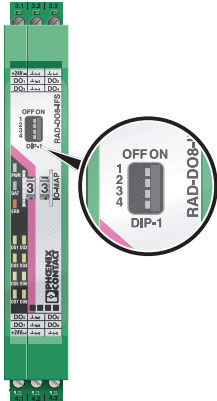


Figure 3-34 DIP switches of the RAD-DO8-IFS

Table 3-12 DIP switches of the RAD-DO8-IFS

Setting	Output signal	DIP switch			
		1	2	3	4
Digital OUT 1 ... 4	RESET	OFF		n. c.	n. c.
Digital OUT 1 ... 4	HOLD	ON		n. c.	n. c.
Digital OUT 5 ... 8	RESET		OFF	n. c.	n. c.
Digital OUT 5 ... 8	HOLD		ON	n. c.	n. c.

n. c. = not connected, DIP switches 3 and 4 have no function

3.7.4 Diagnostic LEDs

The RAD-DO8-IFS I/O extension module uses a total of eleven LEDs to indicate the operating states.

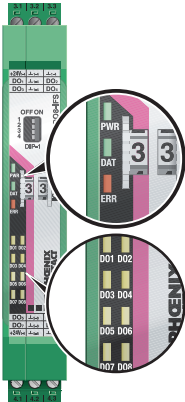


Figure 3-35 Diagnostic LEDs of the RAD-DO8-IFS

PWR LED

The green PWR LED indicates the supply voltage status.

OFF	No supply voltage
ON	Supply voltage OK

DAT LED

The green DAT LED indicates the bus communication status.

OFF	No communication
Flashing	Configuration and addressing mode
ON	Cyclic data communication

ERR LED

The red ERR LED indicates the error status, e.g., if a corresponding input module has not been found.

OFF	No error
Flashing	Wireless module in I/O data mode <ul style="list-style-type: none">- Missing input module- No bus communication Wireless module in PLC/Modbus RTU mode <ul style="list-style-type: none">- No Modbus communication (safe state of outputs, depending on DIP switch setting)- Short circuit at one output or several outputs
ON	Critical internal error

DO1 ... DO8

The yellow DO1 ... DO8 LEDs indicate the status of the digital outputs.

DO1 ... DO4	Flashing	Short circuit at one output or several outputs 1 ... 4
DO5 ... DO8	Flashing	Short circuit at one output or several outputs 5 ... 8

3.7.5 Setting the I/O-MAP address

Use the thumbwheel to set the I/O-MAP address. The extension module in the Radioline wireless system is addressed using the I/O-MAP address. You can assign a maximum of 01 ... 99 addresses to the I/O extension modules in the entire wireless network.

Table 3-13 Setting the I/O-MAP address for the RAD-DO8-IFS

Thumbwheel setting	Description
01 ... 99	I/O-MAP address
00	Delivery state
** , 1* ... 9*	Setting not permitted
*1 ... *9	Interface System slave address, for use with other Interface System (IFS) master devices

3.7.6 Process data in PLC/Modbus RTU mode

The process image of the I/O extension module consists of four data words. For additional information, please refer to Section 3.7, "RAD-DO8-IFS - digital extension module with eight outputs".

I/O module	Module type ID	Number of registers	Address area	Function code
RAD-DO8-IFS	11 _{hex}	02 _{hex} Outputs	40xx0 ... 40xx1	fc 03.16
		02 _{hex} Short-circuit detection	30xx0 ... 30xx1	fc 04

3.8 RAD-DAIO6-IFS - analog/digital extension module with six channels

**WARNING: Risk of electric shock**

Use the same phase for digital inputs and digital outputs. The isolating voltage between the individual channels must not exceed 300 V.

The analog/digital RAD-DAIO6-IFS I/O extension module has a total of six channels. The device is able to process two digital input and output signals as well as one analog input signal and one analog output signal. All inputs and outputs are electrically isolated from one another, from the supply voltage, and from the electronics.

Two digital inputs

The digital inputs process voltages between 0 V ... 50 V AC/DC at the low-voltage input and 0 V ... 250 V AC/DC at the high-voltage input.

Two digital outputs

The digital outputs are designed as floating relay contacts (PDT). The switching capacity is 2 A at 250 V AC/24 V DC.

Analog input

The analog input is able to process standard signals between 0/4 mA ... 20 mA. A supply voltage of at least 12 V DC is available at the PWR₁ connection terminal block for the use of passive sensors.

Analog output

The analog output is designed as active output. You can either select a current signal 0/4 mA ... 20 mA or a voltage signal 0 V ... 10 V.



Use either a current or voltage output at the analog output.

3.8.1 Structure

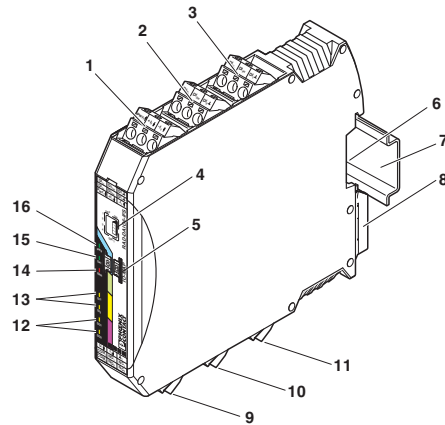


Figure 3-36 RAD-DAIO6-IFS structure

Item	Designation
1	Analog input for 2-, 3-, 4-wire measuring transducers
2	Digital input as wide-range input
3	Digital input as wide-range input
4	DIP switches for configuring the inputs and outputs
5	White thumbwheel for setting the I/O-MAP address
6	Connection option for DIN rail connector
7	DIN rail
8	Metal foot catch for DIN rail fixing
9	Analog output, alternatively current or voltage
10	Relay output with floating PDT contact
11	Relay output with floating PDT contact
12	Status LEDs of the digital DO1 ... DO2
13	Status LEDs of the digital DI1 ... DI2 inputs
14	ERR status LED, red (communication error)
15	DAT status LED, green (bus communication)
16	PWR status LED, green (supply voltage)

3.8.2 Basic circuit diagram

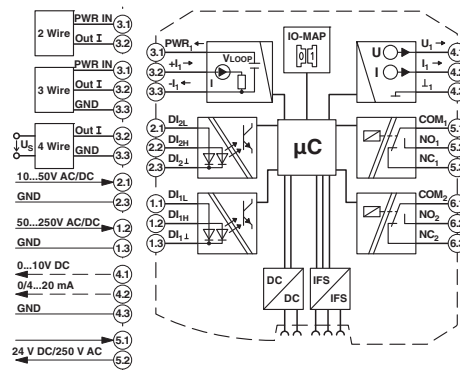


Figure 3-37 Basic circuit diagram for the RAD-DAIO6-IFS

3.8.3 Setting the DIP switches

The DIP switches on the front can be used to configure the input signals ranges. In addition, you can set the behavior of the outputs in the event of an error (e.g., interruption of the wireless connection). Any changes in the setting of the DIP switches will be directly applied.

Analog output

- RESET = Output value is set to 0
- HOLD = Hold last output value

Digital outputs

- RESET = Relay drops out
- HOLD = Hold last valid state

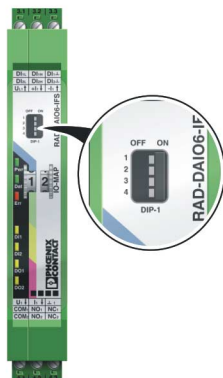


Figure 3-38 DIP switches of the RAD-DAIO6-IFS

Table 3-14 DIP switches of the RAD-DAIO6-IFS

Setting	Output signal	DIP switch			
		1	2	3	4
Analog IN	0 ... 20 mA	OFF			
Analog IN	4 ... 20 mA	ON			
Analog OUT	RESET		OFF		
Analog OUT	HOLD		ON		
Digital OUT1	RESET			OFF	
Digital OUT1	HOLD			ON	
Digital OUT2	RESET				OFF
Digital OUT2	HOLD				ON

3.8.4 Diagnostic LEDs

The RAD-DAIO6-IFS I/O extension module uses a total of seven LEDs to indicate the operating states.

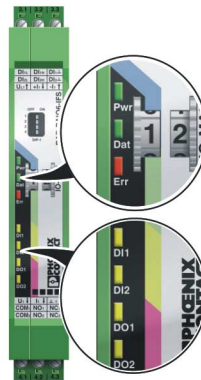


Figure 3-39 Diagnostic-LEDs of the RAD-DAIO6-IFS

PWR LED

The green PWR LED indicates the supply voltage status.

OFF	No supply voltage
ON	Supply voltage OK

DAT LED

The green DAT LED indicates the bus communication status.

OFF	No communication
Flashing	Configuration and addressing mode
ON	Cyclic data communication

ERR LED

The red ERR LED indicates the error status, e.g., if a corresponding output module has not been found.

OFF	No error
Flashing	
Slow (1.4 Hz)	I/O-MAP address changed
Fast (2.8 Hz)	Wireless module in I/O data mode
	– Missing input module
	– No bus communication
	Wireless module in PLC/Modbus RTU mode
	– No Modbus communication (safe state of outputs, depending on DIP switch setting)
ON	Critical internal error

DI1 / DI2

The yellow DI1 and DI2 LEDs indicate the status of the digital inputs.

DO1/DO2

The yellow DO1 and DO2 LEDs indicate the status of the digital outputs.

3.8.5 Setting the I/O-MAP address

Use the thumbwheel to set the I/O-MAP address. The extension module in the Radioline wireless system is addressed using the I/O-MAP address. You can assign a maximum of 01 ... 99 addresses to the I/O extension modules in the entire wireless network.

Table 3-15 Setting the I/O-MAP address for the RAD-DAIO6-IFS

Thumbwheel setting	Description
01 ... 99	I/O-MAP address
00	Delivery state
** , 1* ... 9*	Setting not permitted
*1 ... *9	Interface System slave address, for use with other Interface System (IFS) master devices

3.8.6 Process data in PLC/Modbus RTU mode

The process image of the I/O extension module consists of six data words. For additional information, please refer to Section 3.8, “RAD-DAIO6-IFS - analog/digital extension module with six channels”.

I/O module	Module type ID	Number of registers	Address area	Function code
RAD-DAIO6-IFS	60 _{hex}	03 _{hex} (inputs)	30xx0 ... 30xx2	fc 04
		03 _{hex} (outputs)	40xx0 ... 40xx2	fc 03, 16

3.9 RAD-RS485-IFS modules

For some distributed systems, or networks with very large I/O counts, the master wireless device can be expanded with RAD-RS485-IFS modules. I/O extension modules in the wireless network can be mapped to I/O extension modules connected to RAD-RS485-IFS modules. This is only supported in Wire In/Wire Out mode.

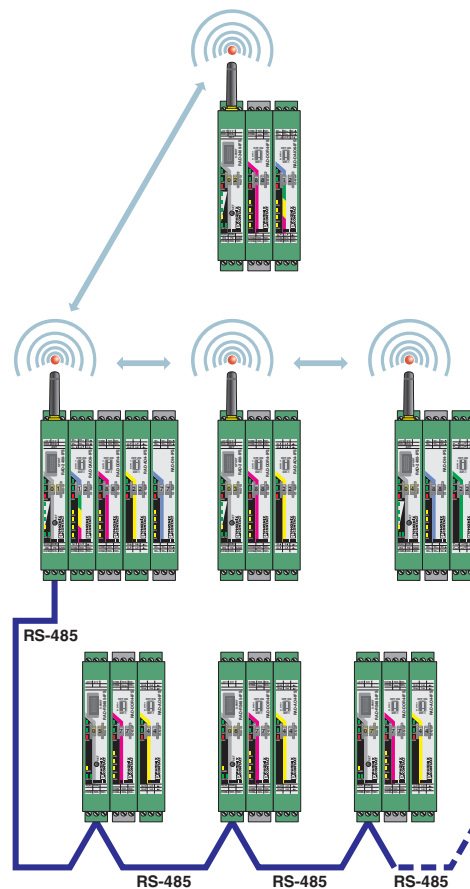


Figure 3-40 Typical RAD-RS485-IFS installation

4 Installation

4.1 DIN rail-mounted devices (RAD-900-IFS)

4.1.1 Mounting/removal

You can connect up to 32 different I/O extension modules to each wireless module via the DIN rail connector. Data is transmitted and power is supplied to the I/O extension modules via the bus foot.

When using the device in a connection station, use the supplied 17.5 mm wide DIN rail connector. Only use the DIN rail connector in connection with 24 V DC devices.



Mount the wireless module to the left and the I/O extension modules **exclusively to the right** of the wireless module.

The individual extension modules can be arranged in any order.

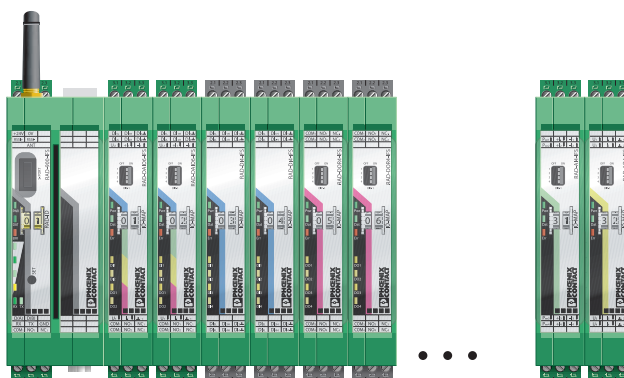


Figure 4-1 Radioline connection station with up to 32 I/O extension modules

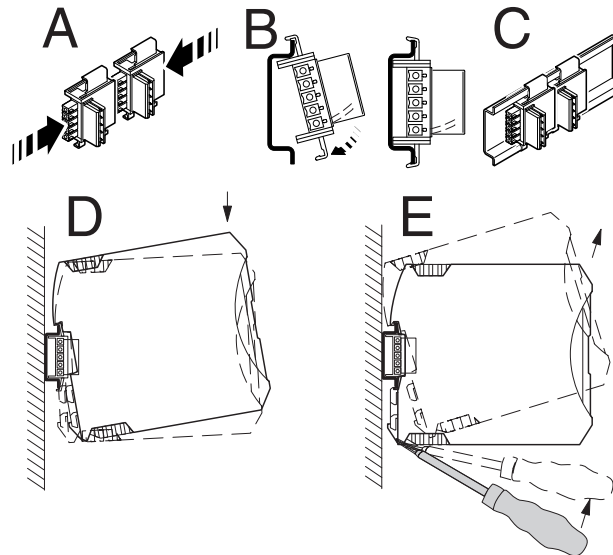


Figure 4-2 Mounting and removal

To mount a connection station with DIN rail connectors, proceed as follows:

1. Connect the DIN rail connectors together for a connection station.
2. Push the connected DIN rail connectors onto the DIN rail.
3. Place the device onto the DIN rail from above (see Figure 4-2, D). Make sure that the device and DIN rail connector are aligned correctly.
4. Holding the device by the housing cover, carefully push the device towards the mounting surface so that the device bus connector is fixed securely on the DIN rail connector.
5. Once the snap-on foot snaps onto the DIN rail, check that it is fixed securely. The device is only mechanically secured via the DIN rail.
6. Connect the desired number of I/O extension modules to the wireless module via the DIN rail connector.



Device replacement is also possible during operation when outside the hazardous area.

Removal

1. Use a suitable screwdriver to release the locking mechanism on the snap-on foot of the device (see Figure 4-2, E).
2. Hold onto the device by the housing cover and carefully tilt it upwards.
3. Carefully lift the device off the DIN rail connector and the DIN rail.

4.1.2 Connecting wires

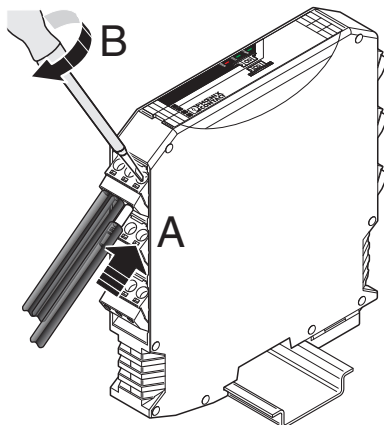


Figure 4-3 Connecting wires



For easy installation, it is also possible to pull out the screw terminal block from the device and to re-insert it after having connected the wires.

1. Crimp ferrules to the wires. Permissible cable cross section: 0.2 mm² ... 2.5 mm² (24 ... 14 AWG).
2. Insert the wire with ferrule into the corresponding connection terminal block.
3. Use a screwdriver to tighten the screw in the opening above the connection terminal block. Tightening torque: 0.6 Nm

4.1.3 Connecting the power supply

Via screw terminal blocks

Connect a DC voltage source (10.8 V ... 30.5 V DC) to the wireless module. The nominal voltage is 24 V DC. Supply voltage to the device via the terminals 1.1 (24 V) and 1.2 (0 V). In the case of a connection station, it is sufficient to supply the first device in the group.



NOTE:

The power supply must be connected to terminals 1.1 and 1.2. Power supply via the DIN rail connector (TBUS) is not permitted.

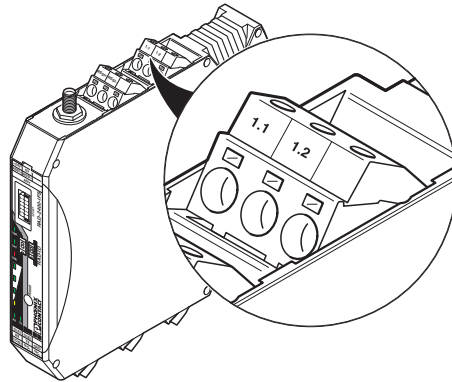


Figure 4-4 Connecting the power supply

In order to prevent damage to the wireless module, we recommend the installation of a surge arrester. Wiring between the surge arrester and the wireless module should be as short as possible. Please also observe the manufacturer's specifications.

4.1.4 Serial interfaces

The RAD-900-IFS wireless module has one RS-232 interface and one RS-485 2-wire interface. Connect the I/O device to the wireless module via the corresponding serial interface.



Both serial interfaces are deactivated by default. Activate and configure the RS-232 or RS-485 interface using the PSI-CONF software (from Section 5.6, "Configuration via PSI-CONF software" onwards).

You can only use one interface per wireless module. Parallel operation of both interfaces is not possible.

4.1.4.1 Connecting the RS-485 cable

In RS-485 mode, an RS-485 network with several I/O devices can be created. Use a twisted-pair, common shielded bus



NOTE:

Observe the polarity of the RS-485 cable. Install the bus cable with a termination network at the two furthest points of the RS-485 network.

Termination resistors are integrated into the RAD-900-IFS and can be switched on using the DIP switches on the side of the module.

RS-485 pin assignment

In RS-485 mode, you can create a network with several I/O devices. Use a twisted-pair bus cable to connect the I/O devices. Install this bus cable with a termination network at the two furthest points.

- Connect the single wires of the data cable to the COMBICON plug-in screw terminal block (Figure 2-1, item 10).
- Make sure the signal assignment is correct.

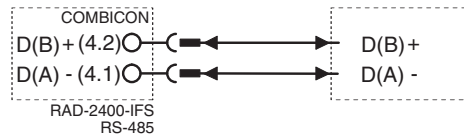


Figure 4-5 RS-485 interface pin assignment

RS-232 pin assignment

In RS-232 mode, point-to-point connections can be established.



The RS-232 interface of the wireless module is a DTE type (Data Terminal Equipment). This means that terminal point 5.2 (Tx) is always used for transmission and terminal point 5.1 (Rx) is always used for reception.

Only connect the wireless module to devices which meet the requirements of EN 60950.

According to the standard, you can connect a DCE device (Data Communication Equipment) to the RS-232 interface using a 1:1 cable (Figure 4-6). It is also possible to connect a DTE device using a crossed cable (Figure 4-7).

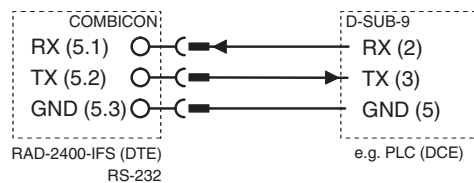


Figure 4-6 RS-232 interface pin assignment (DTE - DCE)

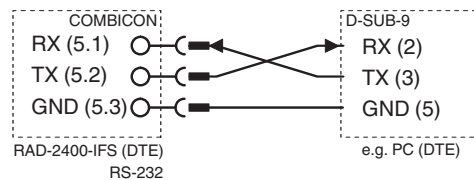


Figure 4-7 RS-232 interface pin assignment (DTE - DTE)

If you are not sure whether the device to be connected is of DTE or DCE type, measure the voltage between TX and GND in the idle state.

- If the voltage measures approximately -5 V, it is a DTE device.
- If the voltage measures approximately 0 V, it is a DCE device.

D-SUB 9 pin assignment

The RAD-900-IFS provides a D-SUB 9 female connector for attaching RS-232 serial devices.

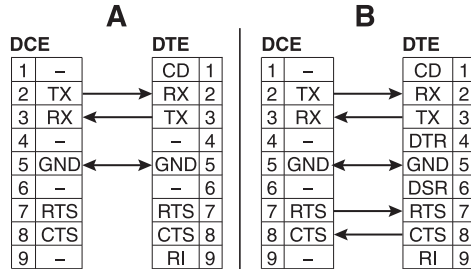


Figure 4-8 D-SUB 9 straight-through cable pinouts for 3-wire (A) and 5-wire (B)

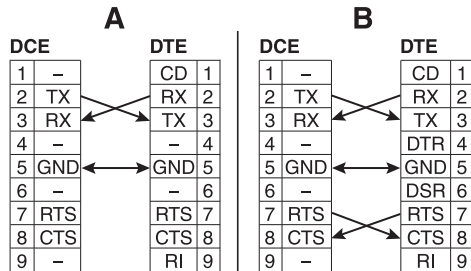


Figure 4-9 D-SUB 9 null cable pinouts for 3-wire (A) and 5-wire (B)

4.1.5 Connecting the antenna

The wireless module is provided with an RSMA antenna socket for an external antenna.



Install the antenna outside the control cabinet or building.

Observe the installation instructions of the antenna and the "Installation and operation" on page 6.

Observe the maximum permissible emitted transmission power of 36 dBm. The transmission power can be calculated as:

device transmission power + antenna gain - cable attenuation

Reduce the device transmission power, if necessary.

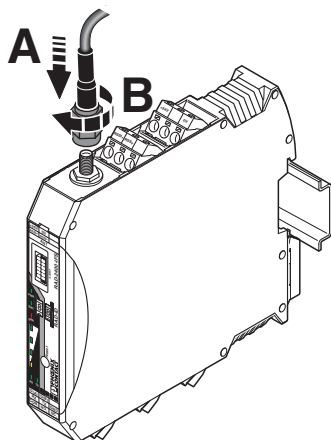


Figure 4-10 Connecting the antenna

4.2 Wall-mounted devices (RAD-900-DAIO6)

4.2.1 Mounting

The RAD-900-DAIO6 includes mounting feet for installing the device on a vertical surface.

1. Loosen the four screws securing the cover and remove the cover.
2. Attach the mounting feet to the RAD-900-DAIO6 in the desired orientation using the included screws, flat washers and lockwashers.

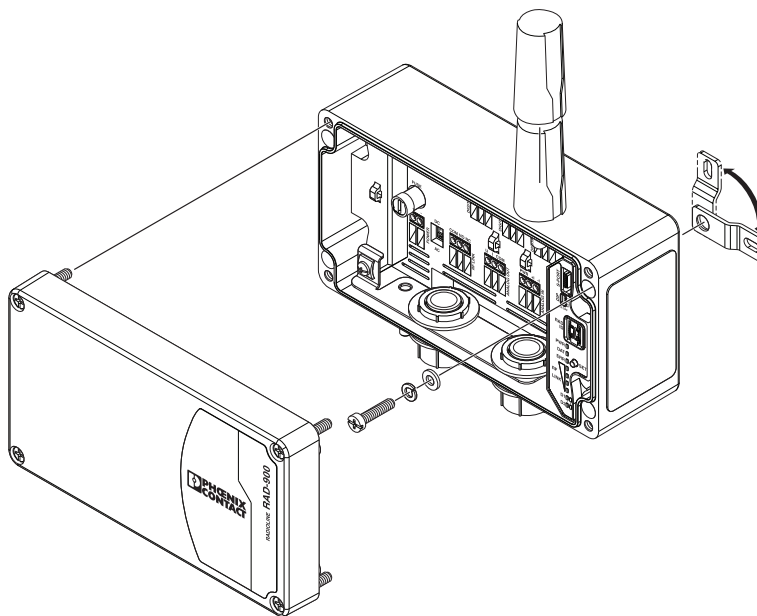


Figure 4-11 Mounting feet

3. Install the RAD-900-DAIO6 on the desired surface using appropriate hardware (not supplied).

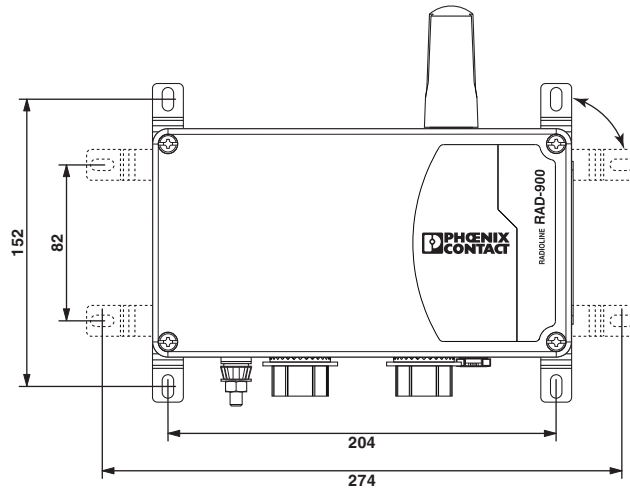


Figure 4-12 Mounting dimensions

Mounting considerations:

- Avoid mounting in direct sunlight to minimize the effects of solar loading (heating).
- Installation of a sun shield is recommended over the RAD-900-DAIO6 when it is mounted in direct sunlight and the ambient temperature can exceed 45°C.

4.2.2 Wire entry

The RAD-900-DAIO6 is supplied with two 1/2-in. NPT conduit hubs installed for connection to rigid or flexible conduit. Alternatively, cable glands may be installed using suitable cables. Use an approved thread sealant to ensure a water tight seal.



WARNING:

All connections must be sealed. If not, excess moisture accumulation can accumulate inside the device. Make sure to mount the transmitter with the electrical housing positioned downward for drainage. To avoid moisture accumulation in the housing, install wiring with a drip loop, and ensure the bottom of the drip loop is mounted lower than the conduit connections. The device is fitted with a breather vent to prevent excess moisture accumulation. Ensure the breather vent is kept free of debris.

4.2.3 Connecting wires

1. Crimp ferrules to the wires. Permissible cable cross section: 0.2 mm² ... 2.5 mm² (24 ... 14 AWG).
2. Insert the wire with ferrule into the corresponding connection terminal block.
3. Use a screwdriver to tighten the screw in the opening above the connection terminal block. Torque screw to 0.6 Nm.

4. Install zip ties to manage wire routing.

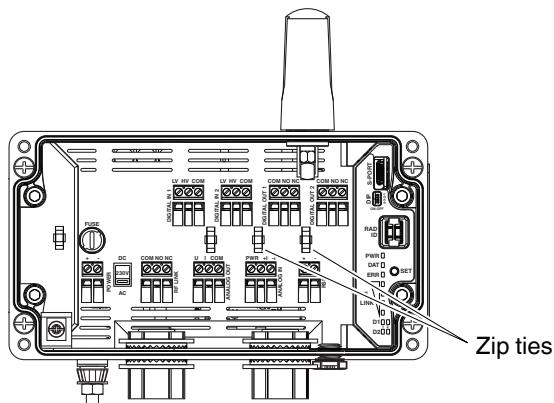


Figure 4-13 Zip ties

4.2.4 Connecting power



DANGER:

Always disconnect power before installing or performing maintenance.

Select the input voltage range via the selector switch

- When the switch is set to DC mode, connect a DC voltage source (10.8 ... 30.5 V DC) to the wireless module. The nominal voltage is 24 V DC.
- When the switch is set to AC mode, connect an AC voltage source (100 ... 240 V AC) to the wireless module. When powered by an AC voltage source, the maximum temperature is 65°C.



WARNING:

The fuse protects the RAD-900-DAIO6 in case of an overcurrent event or if the selector switch is in the wrong position.

In order to prevent damage to the wireless module, Phoenix Contact recommends the installation of a surge arrester. Wiring between the surge arrester and the wireless module should be as short as possible. Please also observe the manufacturer's specifications.

4.2.4.1 Replacing the fuse

The fuse can be replaced using a 5x20 mm slow-blow fuse rated for 800 mA @ 250 V AC. Use types Littelfuse® 0215.800MXP, Bel Fuse 5HT 800-R or equivalent.

1. Disconnect supply voltage.
2. To remove the fuse, turn the fuse cover 90° counter-clockwise and remove it to access the fuse.
3. Install the replacement fuse.



WARNING:

Never operate the device without the cover installed.

4. Replace the cover.

4.2.5 Connecting the antenna

The wireless module has an N-type antenna socket for an external antenna. Although a 0 dB omni-directional antenna is included with the wireless module, it may be replaced with a coaxial cable and high-gain antenna.



Install the antenna outside the control cabinet or building.

Observe the installation instructions of the antenna and the "Installation and operation" on page 6.

Observe the maximum permissible emitted transmission power of 36 dBm. The transmission power can be calculated as:

device transmission power + antenna gain - cable attenuation

Reduce the device transmission power, if necessary.

If the antenna is removed and re-installed or a cable is attached for a remote antenna, torque the antenna or cable connector between 0.7 and 1.1 Nm.

5 Configuration and startup

5.1 Default settings of the wireless module

All RAD-900-... wireless modules have the same configuration by default upon delivery or by resetting to the default settings at a later stage.

Table 5-1 Default settings of the wireless module

Parameter	Setting
Operating mode	I/O data (wire in/wire out)
Wireless interface	
Net ID	127
RF band	1
Encryption	OFF
Network structure	Star
Device type	Slave
Data rate of the wireless interface	125 kbps
Transmission power	1 W (30 dBm)



In order to be able to cover the largest possible distances, the preamplifier has been activated and transmission power set to 30 dBm by default. When operating the devices directly next to one another, the receiver might become overloaded. In this case, remove the antennas, increase the distance between the devices and antennas or reduce transmission power using the PSI-CONF software (from page 74 onwards).

5.1.1 Resetting to the default settings

The device can be reset to the default settings either manually or using the PSI-CONF software.

Resetting manually

1. Disconnect the device from the supply voltage.
2. Hold down the SET button located on the front of the device and switch the supply voltage on.
3. Press and hold the SET button until the DAT LED flashes.

Resetting via PSI-CONF software

1. Select "Wireless, RAD-900-IFS" on the "Device Selection" page.
2. Select "Local Device".
3. Select "Set device to factory default configuration".

5.1.2 Firmware update



Download the latest firmware free of charge at phoenixcontact.net/products.

The firmware can be updated using the PSI-CONF software. The device is reset to the default settings after a firmware update.

1. Select "Wireless, RAD-900-IFS" on the "Device Selection" page.
2. Select "Update firmware".

5.2 Operating mode of the wireless module

The Radioline wireless system offers four different options for signal and data transmission:

Operating mode	Configuration
I/O data mode	Default setting, configuration only possible via thumbwheel
Serial data mode	Configuration via PSI-CONF software
PLC/Modbus RTU mode	
PLC/Modbus RTU dual mode	



Only one operating mode can be selected. It is **not** possible to simultaneously transmit I/O signals and serial data.

If the wireless system is operated in an environment where other networks are also present (e.g., additional Radioline networks in the 900 MHz band), then a configuration memory can be used (see "Configuration via CONFSTICK" on page 71). For configuring extended settings of the wireless modules, it is also possible to use the PSI-CONF software (from page 74 onwards).

I/O data mode

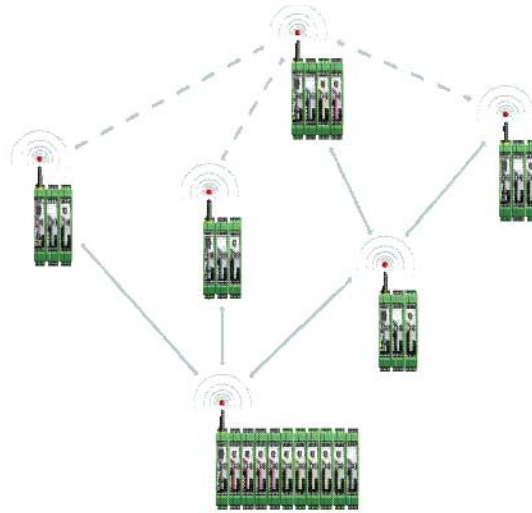


Figure 5-1 I/O data mode

By default, all wireless modules are in the I/O data mode. For simple I/O-to-I/O applications with extension modules, you can easily set the addresses using the thumbwheel. You can therefore establish a wireless connection to other wireless modules without any programming effort (see “Setting the address of the wireless module via the thumbwheel” on page 71 and “Setting the address of the extension modules via the thumbwheel” on page 80).

Serial data mode (RAD-900-IFS only)

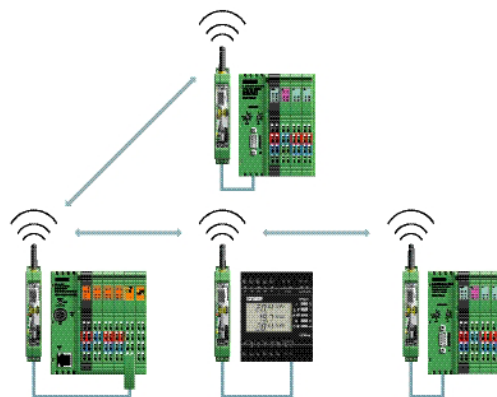


Figure 5-2 Serial data mode

In serial data mode, multiple controllers or serial I/O devices are networked easily and quickly using wireless technology. In this way, serial RS-232 or RS-485 cables can be replaced.

Each wireless module must be configured using the PSI-CONF software (from page 74 onwards).

PLC/Modbus RTU mode

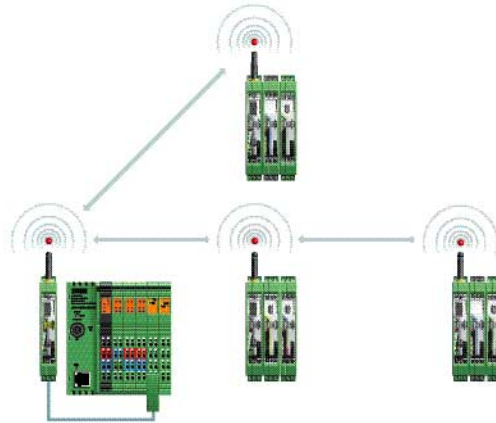


Figure 5-3 PLC/Modbus RTU mode

Connect the I/O extension modules to the controller directly via the integrated RS-232 and RS-485 interface by means of wireless communication. In PLC/Modbus RTU mode, the master wireless module (RAD ID = 01) operates as a Modbus slave. The master wireless module has its own Modbus address.

Connect I/O extension modules to each wireless module in the network. The I/O data of the extension module is stored in the internal Modbus memory map of the master wireless module. In addition, the diagnostic data from all wireless devices is stored here.

Each wireless module must be configured using the PSI-CONF software (from page 74 onwards).

PLC/Modbus RTU dual mode

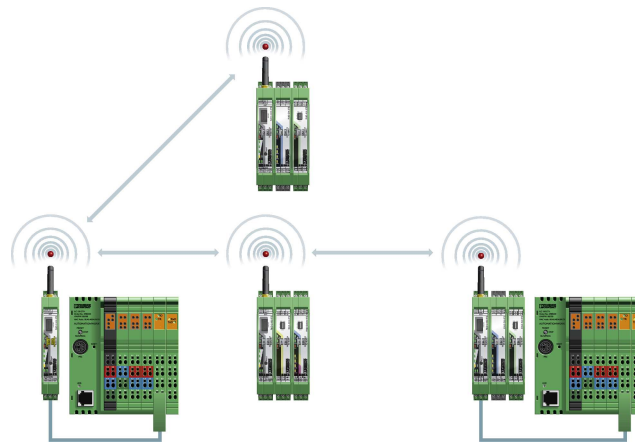


Figure 5-4 PLC/Modbus RTU dual mode

Dual mode combines the PLC/Modbus RTU mode and the serial data mode. Serial Modbus devices can be connected to the RS-232 or RS-485 ports, and connect I/O extension modules to each wireless module in the network.

The I/O data of the extension module and the diagnostic data is stored in the internal Modbus memory map of the wireless module. Each wireless module with I/O extension modules has its own Modbus address. In addition, the diagnostic data from all wireless devices can be read from the master wireless module.

Each wireless module must be configured using the PSI-CONF software (from page 74 onwards).

5.3 Setting the address of the wireless module via the thumbwheel

Set the desired station address with the yellow thumbwheel on the wireless module. There must be one master (RAD ID = 01) and at least one repeater/slave (RAD ID = 02 ... 99) in a network.



Unique addressing is required in a network. If two wireless modules have the same address in a network, the network will not function properly.

Setting the address via the thumbwheel has priority over setting the address via the PSI-CONF software.

After making any change to the module address, press the SET button for one second to apply the setting.

The following settings can be made using the yellow thumbwheel:

Thumbwheel setting	Description
01	Master address
02 ... 99	Slave address
00	Not permitted
	Addressing wireless modules using the PSI-CONF software (address 1 ... 250) IDs 100 to 250 must be configured using PSI-CONF software

5.4 Configuration via CONFSTICK



WARNING: Explosion hazard when used in potentially explosive areas
Do **not** insert or remove the CONFSTICK in a potentially explosive atmosphere.

By default upon delivery, all wireless modules have the same network ID and the same RF band. Using a configuration memory (CONFSTICK), you can configure a unique and secure network without the need for software.

The CONFSTICK is used as a network key. Its network address (network ID) is unique and cannot be assigned via the PSI-CONF software. Only wireless modules with the same network ID are allowed to connect with each other.

Each individual network device must be configured. Only one CONFSTICK is needed for all wireless modules in the network. After configuration, remove the CONFSTICK from the wireless module.

In addition, the CONFSTICK contains a preset frequency band (RF band). An RF band is a group of frequencies compiled of individual frequencies of the entire 900 MHz band. Different RF bands use different frequencies.

In order to operate several Radioline wireless systems, you should select different RF bands.



Set different RF bands between 1 ... 8 and network IDs between 1 ... 127 using the PSI-CONF software (see page 75).

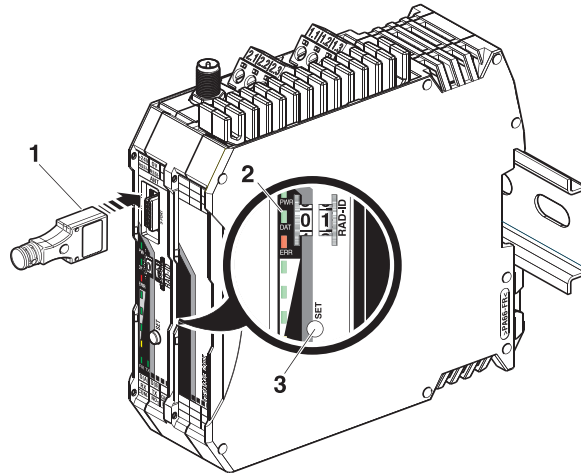


Figure 5-5 Configuration via CONFSTICK

Item	Description
1	RAD-CONF-RF CONFSTICK
2	Status LEDs
3	SET button

1. Carefully insert the CONFSTICK with the 12-pos. IFS connector into the S port of the wireless module.
2. Press the SET button on the wireless module for one second. Parameter read in is started. Read in has been completed when the DAT LED lights up once. The new parameters are activated.
3. Remove the CONFSTICK from the wireless module.
4. Repeat this process for each individual wireless module in the network.

5.5 Copying device settings via memory stick

To transfer the configuration of a wireless module to another wireless module, save the configuration to a memory stick (RAD-MEMORY, Order No. 2902828).

**WARNING: Explosion hazard when used in potentially explosive areas**

Do **not** insert or remove the memory stick in a potentially explosive atmosphere.



Pay attention to the firmware version of the wireless modules before using the memory stick. In order to ensure that a wireless module is capable of reading the memory stick, it must have the same or later firmware version as the wireless module whose configuration file is to be copied. Wireless modules with a lower firmware version are not able to read the memory stick.

Common network parameters

- Operating mode
- Network ID
- RF band
- Data rate of the wireless interface
- Encryption
- Network type

Individual device parameters

- Station name
- RAD ID
- Transmission power
- List of permitted connections
- Serial interface parameters

5.5.1 Saving parameters from the wireless module to the memory stick

Copying common network parameters and individual device parameters to the memory stick:

1. Press the SET button located on the wireless module and hold down for at least six seconds.
2. The four RSSI bar graph LEDs start a light sequence from bottom to top.
3. Insert the memory stick in the S port of the wireless module. The copying of parameters is started automatically.
4. Wait until the light sequence stops. The write process has been completed.
5. Remove the memory stick from the wireless module.

5.5.2 Reading the memory stick

Reading in common network parameters via the memory stick

1. Insert the memory stick in the S port of the wireless module.
2. Press the SET button located on the wireless module and hold down for at least one second. Parameter read in is started. Read in has been completed when the DAT LED lights up once. The new parameters are activated.
3. Remove the memory stick from the wireless module.

Reading in common network parameters and individual device parameters via the memory stick

This function enables all common network parameters and individual device parameters to be read into the wireless module. A full copy of devices can be created, e.g., as a backup copy.

1. Insert the memory stick in the S port of the wireless module.
2. Press the SET button located on the wireless module and hold down for at least six seconds. Parameter read in is started, the DAT LED flashes.
3. The read in process has been completed once the DAT LED stops flashing. The new parameters are activated.
4. Remove the memory stick from the wireless module.



If an error is detected while saving or checking the data, the DAT and ERR LEDs flash simultaneously.

5.6 Configuration via PSI-CONF software

You can make special settings using the PSI-CONF configuration and diagnostics software. The software is available to download at phoenixcontact.net/products. A PC with a Windows operating system is required to use the software. Use the RAD-CABLE-USB (Order No. 2903447) USB cable for configuration and diagnostics.



WARNING: Explosion hazard when used in potentially explosive areas

The USB cable must **not** be used in potentially explosive areas.



For additional information on the USB cable, please refer to the RAD-CABLE-USB package slip. The latest documentation can be downloaded at phoenixcontact.net/products.

Install the software and the USB driver for the RAD-CABLE-USB cable. Follow the software wizard.

5.6.1 Extended configuration, individual settings

After reading an existing network project or creating a new project, the network settings can be modified under “Individual Settings”. The wireless network can be optimized and adapted to your special requirements. When moving the mouse over the individual network parameters, you obtain a short description under “Help”.



If several wireless systems are operated parallel and in close proximity, you are required to set the RF band and the network ID. These parameters can be set via the PSI-CONF software or by using a CONFSTICK (see “Configuration via CONFSTICK” on page 71).

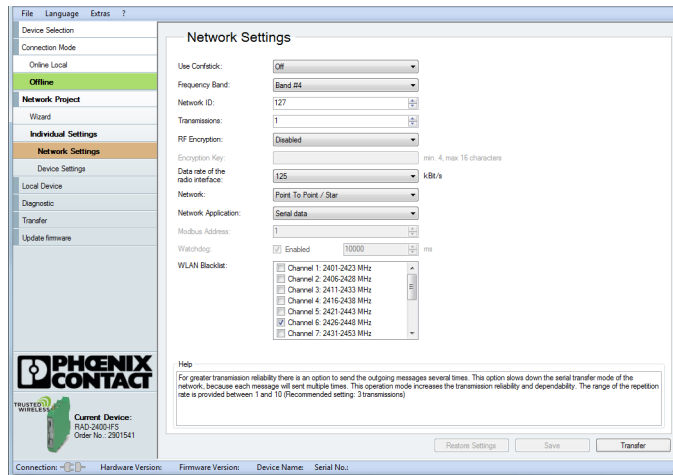


Figure 5-6 PSI-CONF software: Network Settings

5.6.2 Data transmission speed of the wireless interface

The range is an important parameter in industrial wireless applications, especially in outdoor applications. Even in cases where long ranges do not have to be covered, good receiver sensitivity enables transmission in harsh outdoor conditions, e.g., when there is no direct line of sight.

The receiver sensitivity determines the signal amplitude which can just about be received by the wireless module. The lower the data transmission speed of the wireless interface, the higher the receiver sensitivity and thereby the range.



Adjust the data transmission speed of the wireless interface to the respective application using the PSI-CONF software (default setting = 125 kbps).

Table 5-2 Data transmission speed of the wireless interface

Data transmission speed	Typical receiver sensitivity	Typical link budget	Potential distance with line of sight and a system reserve of 12 dB
500 kbps	-95 dBm	-125 dBm	12 km
250 kbps	-102 dBm	-132 dBm	25 km
125 kbps	-105 dBm	-135 dBm	35 km (default setting)
16 kbps	-112 dBm	-142 dBm	80 km

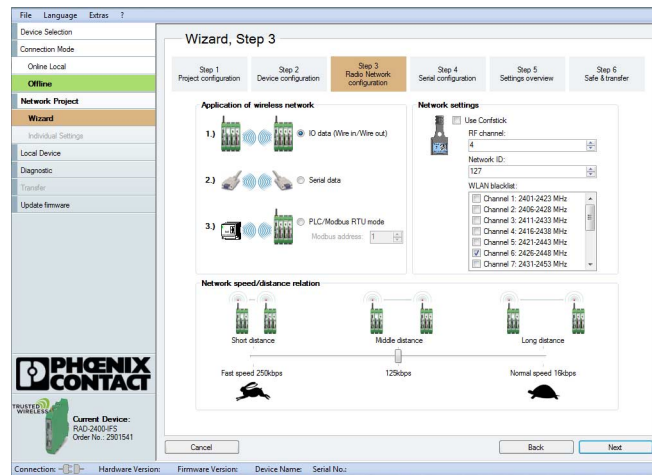


Figure 5-7 PSI-CONF software: Wizard, Step 3

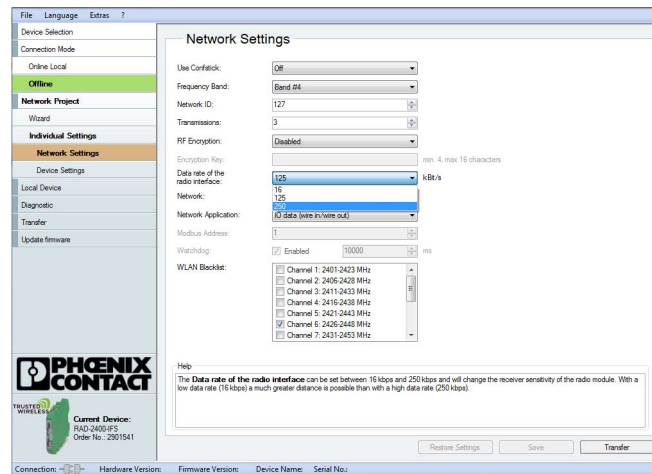


Figure 5-8 PSI-CONF software: Setting the data transmission speed

5.6.3 Device settings



In order to be able to cover the largest possible distances, the preamplifier has been activated and transmission power set to 30 dBm by default. When operating the devices directly next to one another, the receiver might become overloaded. In this case, remove the antennas, increase the distance between the devices and antennas, or reduce transmission power using the PSI-CONF software.

Assign a device name or set the transmission power under “Device Settings”. All device parameters are listed on the “Overview” tab.

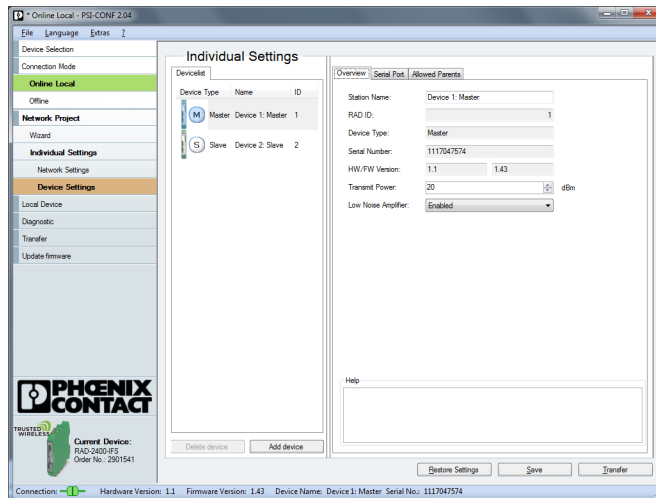


Figure 5-9 PSI-CONF software: Individual Settings, Overview

Depending on the operating mode, configure the serial interface under “Individual Settings” on the “Serial Port” tab.

In I/O data mode (default upon delivery), both interfaces are deactivated. To activate the serial interface, select the “Serial data,” “PLC/Modbus RTU mode,” or “PLC/Modbus RTU dual mode” network application under “Network Settings”.



Only use one interface per wireless module. Parallel operation of both interfaces is not possible.

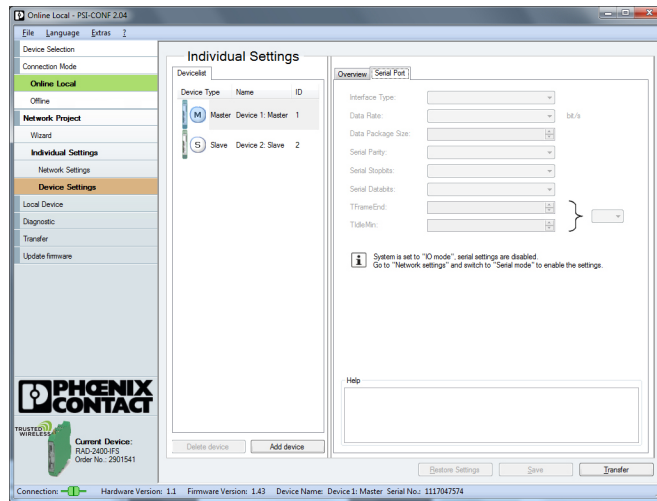


Figure 5-10 PSI-CONF software: Individual Settings, Serial Port

Define the wireless modules to which a connection may be established on the “Allowed Parents” tab under “Individual Settings”. This setting is required, for example, when creating repeater chains. Repeater chains are used to circumvent obstacles or to set up redundant wireless paths by means of several repeaters.



The “Allowed Parents” tab is only available if the “Line/Mesh” network type has been selected.

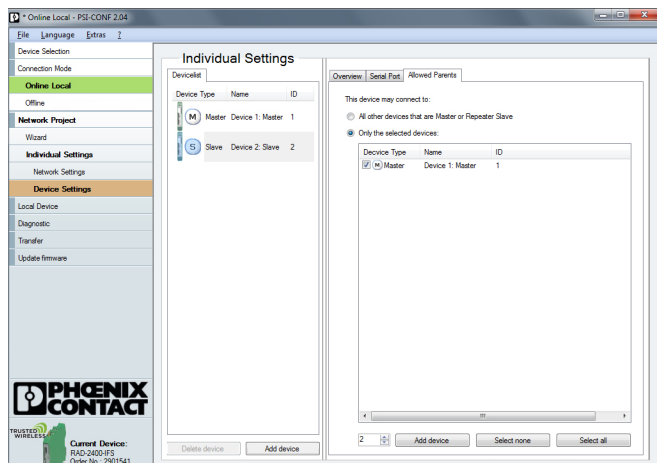


Figure 5-11 PSI-CONF software: Individual Settings, Allowed Parents

5.7 Starting up I/O extension modules

5.7.1 Combinations of extension modules

Several appropriate output modules at different stations can be assigned to one digital or analog input module. The inputs are transmitted in parallel to the outputs. The channels of the input module are mirrored to the channels of the output module.



It is not possible to separately assign the individual input channels of an extension module to different output modules.

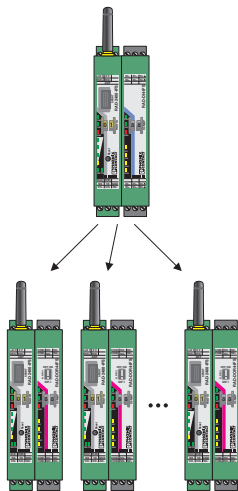


Figure 5-12 Assignment of digital inputs and digital outputs

The combined RAD-DAIO6-IFS extension modules can only be assigned in pairs, because each module is provided with inputs and outputs. That is why only two modules in the network may have the same I/O MAP address.

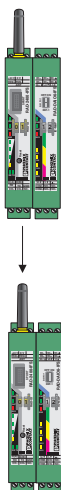


Figure 5-13 RAD-DAIO6-IFS assignment: analog/digital inputs and outputs

Table 5-3 Assignment of input and output modules

Input module		Output module	
2901537	RAD-AI4-IFS	2901538	RAD-AO4-IFS
2904035	RAD-PT100-4-IFS	2901538	RAD-AO4-IFS
2901535	RAD-DI4-IFS	2901536	RAD-DOR4-IFS
2901539	RAD-DI8-IFS	2902811	RAD-DO8-IFS
2901533	RAD-DAIO6-IFS	2901533	RAD-DAIO6-IFS

5.7.2 Setting the address of the extension modules via the thumbwheel

For an I/O-to-I/O transmission of signals, assign a corresponding output module to the input module. Set the I/O-MAP address (01 ... 99) using the white thumbwheel on the I/O extension module.

Addressing extension modules

- Use the thumbwheel to set the address.
- Press the SET button on the front of the wireless module to read the current configuration.

The following settings can be made using the white thumbwheel:

Thumbwheel setting	Description
01 ... 99	I/O-MAP address
00	Delivery state
** , 1* ... 9*	Setting not permitted
*1 ... *9	Interface System slave address, for use with other Interface System (IFS) master devices

The following conditions must be met:

- Assign a maximum of 1 ... 99 addresses to the extension modules in the entire wireless network.

Wireless module in I/O data mode

- The input module **must** be provided with the same I/O-MAP address as the assigned output module at the other wireless station (I/O mapping). Output modules with the same I/O-MAP address may appear several times in the network at different stations.
- The I/O-MAP address of an input module may only appear once in the network.
- The channels of the input module are directly assigned to the channels of the output module:

Input module	→	Output module
Channel 1	→	Channel 1
Channel 2	→	Channel 2
...	→	...



It is **not** possible to individually assign the channels of the input and output modules.

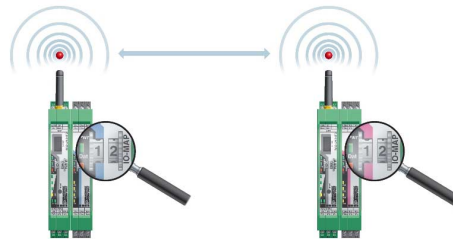


Figure 5-14 Input module and output module with the same address

Wireless module in PLC/Modbus RTU mode

- Output modules may not have the same I/O-MAP address as input modules. Exception: Output modules with the same I/O-MAP address may appear several times in the network at different stations.
- The I/O-MAP address of an input module may only appear once in the network.
- The input and output data is saved in a Modbus memory map in the master wireless module. You can read or write the process data via the serial interface of the master wireless module (RAD ID = 01) using the Modbus RTU command. The process data tables can be found starting at “Modbus memory map” on page 100.

5.7.3 Wireless module in PLC/Modbus RTU dual mode

- Each wireless module may be assigned a Modbus address. The master wireless module Modbus address may be changed from 01 if an existing Modbus device is already assigned this address. A Modbus address may only appear once in the network.
- Output modules may not have the same I/O-MAP address as input modules on a single wireless device (station). Exception: Output modules with the same I/O-MAP address may appear several times at the same station.

- The input and output data is saved in a Modbus memory map in the wireless module. You can read or write the process data via the serial interface of the master wireless module (RAD ID = 01) using the Modbus RTU command. The process data tables can be found starting at “Modbus memory map” on page 100.

5.8 Starting up the RAD-900-DAIO6

5.8.1 Setting the address of the RAD-900-DAIO6 via the thumbwheel

For an I/O-to-I/O transmission of signals, both the RAD ID and I/O-MAP address are set using the yellow thumbwheel on the RAD-900-DAIO6.

Addressing extension modules

- Use the thumbwheel to set the address.
- Press the SET button on the front of the wireless module to read the current configuration.

The following settings can be made using the yellow thumbwheel:

Thumbwheel setting	Description
01 ... 99	RAD ID and I/O-MAP address
01	Delivery state
**, 1* ... 9*, *1 ... *9	Settings not permitted

The following conditions must be met:

- Assign a maximum of 1 ... 99 addresses to the RAD-900-DAIO6 in the entire wireless network. If the address is set to 01, the RAD-900-DAIO6 may only be used in point-to-point mode with another RAD-900-DAIO6.

Wireless module in I/O data mode

The RAD-900-DAIO6 may be used to create a point-to-point or point-to-multipoint connection with RAD-900-IFS devices. In this case, set the I/O-MAP address to between 02 and 99 using the white thumbwheel on the corresponding RAD-DAIO6-IFS extension module(s) to match the yellow thumbwheel setting on the RAD-900-DAIO6.

- The I/O-MAP address of an input module may only appear once in the network.
- The input channels are directly assigned to the corresponding output channels at the other wireless station.

- The RAD-900-DAIO6 may be used to create a point-to-point connection with another RAD-900-DAIO6. In this case, one RAD-900-DAIO6 must have its address set to **01** and the other must be set to **02**.

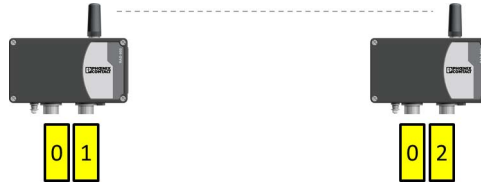


Figure 5-15 Thumbwheel addressing of the RAD-900-DAIO6 in point-to-point mode

Wireless module in PLC/Modbus RTU mode

- Multiple RAD-900-DAIO6 devices may not use the same thumbwheel address in a single network.
- The input and output data is saved in a Modbus memory map in the master wireless module. You can read or write the process data via the serial interface of the master wireless module (RAD ID = 01) using the Modbus RTU command. The process data tables can be found starting at “Modbus memory map” on page 100.

5.8.2 RAD-900-DAIO6 in PLC/Modbus RTU dual mode

- Each wireless module is assigned a Modbus address. The Modbus address of each module is that of the RAD-ID (yellow thumbwheel) set on the module. The master wireless module Modbus address may be changed from **01**, if an existing Modbus device is already assigned this address. A Modbus address may only appear once in the network.
- Each RAD-900-DAIO6 device must use a unique thumbwheel address within a single network.
- The input and output data is saved in a Modbus memory map in the wireless module. You can read or write the process data via the serial interface of the master wireless module (RAD ID = 01) using the Modbus RTU command. The process data tables can be found starting at “Modbus memory map” on page 100.

5.9 Startup time of the wireless station

Once a wireless station has been started (power "ON"), the wireless module will take 15 seconds to be ready for operation. Each linked I/O extension module increases the startup time by 3 seconds.

Startup time of a wireless station = 15 seconds + (number of I/O modules x 3 seconds)

Accordingly, a complete wireless station with 32 I/O extension modules requires a startup time of 111 seconds. Only after this period of time has elapsed is the wireless station ready for operation.

6 Serial data mode (RAD-900-IFS only)

In serial data mode, multiple controllers or serial I/O devices are networked quickly and easily using wireless technology. In this way, serial RS-232 or RS-485 cables can be replaced.

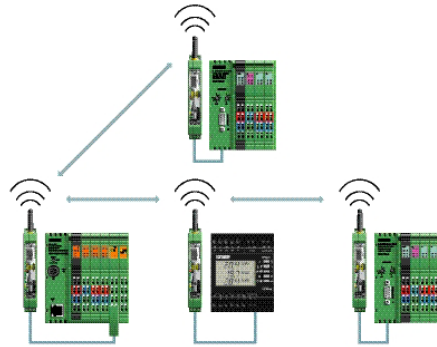


Figure 6-1 Serial data mode

Configure the serial interface of the RAD-900-IFS wireless module using the PSI-CONF software. In order to connect the wireless module to the PC, you need the RAD-CABLE-USB cable (Order No. 2903447).



WARNING: Explosion hazard when used in potentially explosive areas

The USB cable must **not** be used in potentially explosive areas.



When operating the network in serial data mode, it may not be possible to diagnose all devices. In this case, stop the serial application in order to allow for complete diagnostics. Use PSI-CONF software to assign different serial settings to the devices under "Individual Settings".

- Start the PSI-CONF software.
- Follow the software wizard.
- Once you have run through all steps of the wizard, save the project and transmit it to the wireless modules.

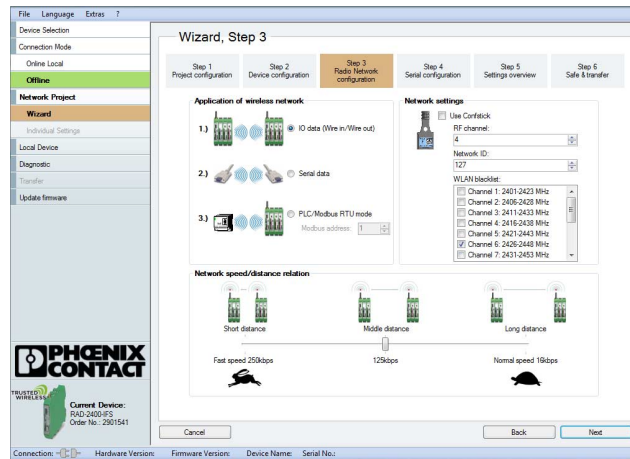


Figure 6-2 PSI-CONF software: Wizard, Step 3

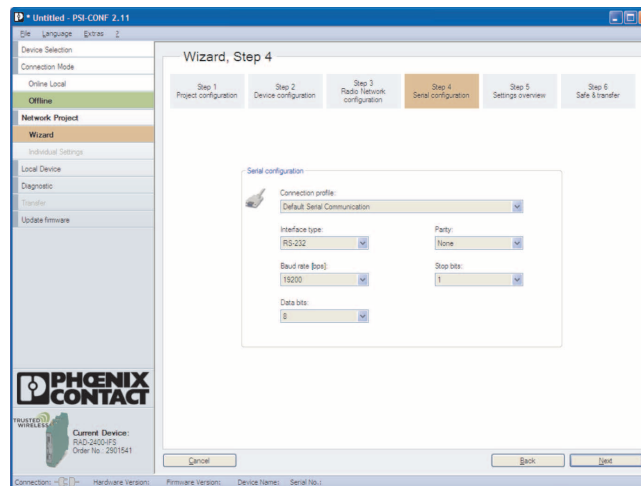


Figure 6-3 PSI-CONF software: Wizard, Step 4

6.1 Frame-based data transmission

$T_{IdleMin}$ parameter (minimum pause between two frames)

The $T_{IdleMin}$ parameter refers to the minimum pause that must elapse between two frames on the output side (wireless module is transmitting data via serial interface).

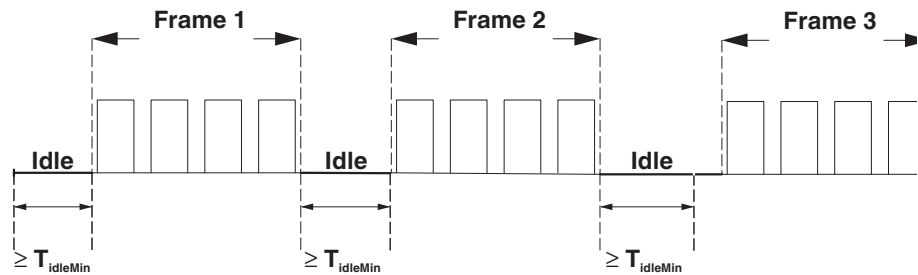


Figure 6-4 Frame-based data transmission: $T_{IdleMin}$ parameter

$T_{FrameEnd}$ parameter

$T_{FrameEnd}$ is the time which is kept by the transmitting wireless module between two frames.

If the data received by the wireless module is followed by a certain period of time where no further data is received, the wireless module assumes that the frame has arrived in its entirety. The frame is then transmitted. This period of time is referred to as $T_{FrameEnd}$.

$T_{FrameEnd}$ must be shorter than the minimum interval between two frames ($T_{FrameEnd} < T_{IdleMin}$). $T_{FrameEnd}$ must, however, also be greater than the maximum interval that is permitted between two characters in a frame. Otherwise the frame might be fragmented.

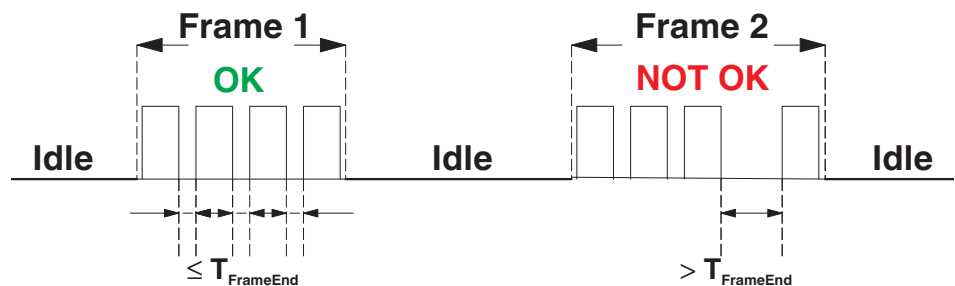


Figure 6-5 Frame-based data transmission: $T_{FrameEnd}$ parameter

Setting telegram pauses, based on the example of Modbus/RTU

A frame is also referred to as a telegram. The length of the transmission pause between the telegrams depends on the set data rate. The beginning and end of a telegram is recognized by means of a time condition. A pause of 3.5 characters means that the telegram is complete and the next character is to be interpreted as the slave address. A telegram must therefore be sent as a continuous data flow. If there is an interruption of more than 1.5 characters within a telegram, the data will be discarded by the receiver.

If the master is not able to transmit the successive characters quickly enough and the communication is aborted, you must increase the minimum pause time ($T_{FrameEnd}$) between the individual characters of a telegram. Frames with a length of 1480 characters can be transmitted by the Radioline wireless system.

- In order to adapt data transmission to other protocols, it is possible to adapt the $T_{FrameEnd}$ and $T_{IdleMin}$ parameters. Set the interface parameters under “Individual Settings”.

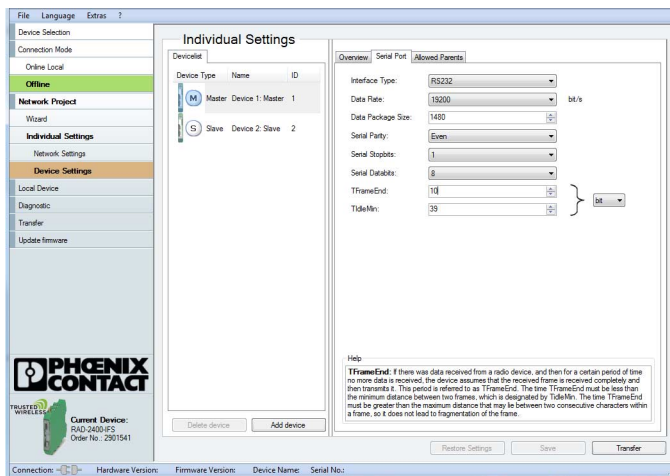


Figure 6-6 PSI-CONF software: Individual Settings

7 PLC/Modbus RTU mode



The PLC/Modbus RTU mode is available for firmware version 1.30 or later. If necessary, start an update using the PSI-CONF software (version 2.03 or later).

Activate the PLC/Modbus RTU mode using the PSI-CONF software (from Section 5.6, “Configuration via PSI-CONF software” onwards).

In PLC/Modbus RTU mode, you can read the I/O values of the extension modules connected to the wireless slave modules via the Modbus RTU protocol (I/O to serial). The wireless module provides an RS-232 or RS-485 interface for this purpose. In PLC/Modbus RTU mode, the master wireless module works as a Modbus slave and has its own Modbus slave address.

You can connect I/O extension modules to each wireless device in the network. A wireless network can have a maximum of 99 extension modules. Use the white thumbwheel to set the I/O-MAP addresses.

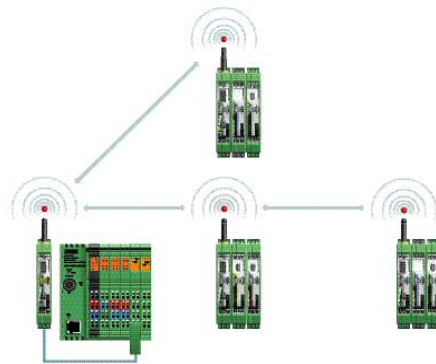


Figure 7-1 PLC/Modbus RTU mode

7.1 Configuration via PSI-CONF software

1. Start the PSI-CONF software (see Section 5.6, “Configuration via PSI-CONF software”).
2. Create a new network project.
3. Follow the software wizard.

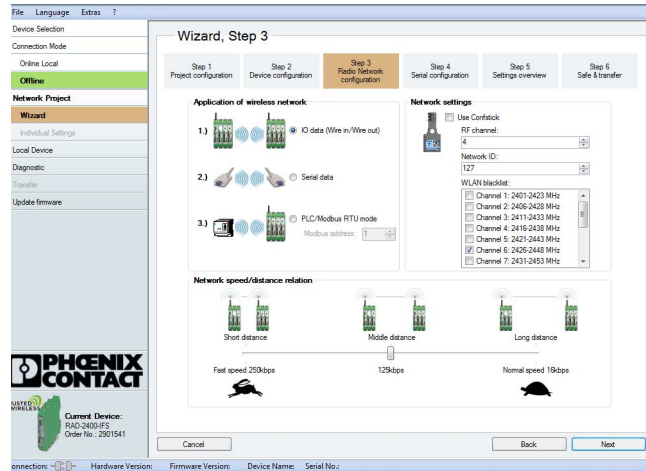


Figure 7-2 PSI-CONF software: Wizard, Step 3

4. Select “PLC/Modbus RTU mode” and assign a Modbus address.
5. Follow the software wizard.



The Modbus address is a unique address in the Modbus network. It is only assigned to the master wireless module (RAD ID = 01). Assign an address between 1 ... 247.

In order to enable the master wireless module to communicate with a controller via the RS-232 or RS-485 interface, you must set the interface parameters. Please note that the controller settings must match the settings of the wireless module.

Table 7-1 Configuration via PSI-CONF software

Parameter	Possible values	Default setting
Interface type	RS-232, RS-485	RS-232
Data rate	300 ... 115,200 bps	19,200 bps
Parity	None, even, odd	None
Number of stop bits	1; 2	1
Number of data bits	8	8
Modbus address	1 ... 247	1

The Modbus connection between the controller and the wireless module can be monitored via a watchdog. For additional information on the watchdog, refer to page 91.

7.2 Addressing I/O extension modules

In PLC/Modbus RTU mode, a wireless network can have a maximum of 99 I/O extension modules.

Use the white thumbwheel on the I/O extension module to set the I/O-MAP address. You can find information on addressing extension modules from “Setting the address of the extension modules via the thumbwheel” on page 80 onwards.

7.3 Watchdog

The Modbus telegram watchdog monitors the connection between the master wireless module and the controller. It is triggered each time a Modbus telegram is received correctly. Activate the watchdog using the PSI-CONF software.

- Select the “Network Settings” item under “Individual Settings”. Set a watchdog time between 200 ms ... 65,000 ms.

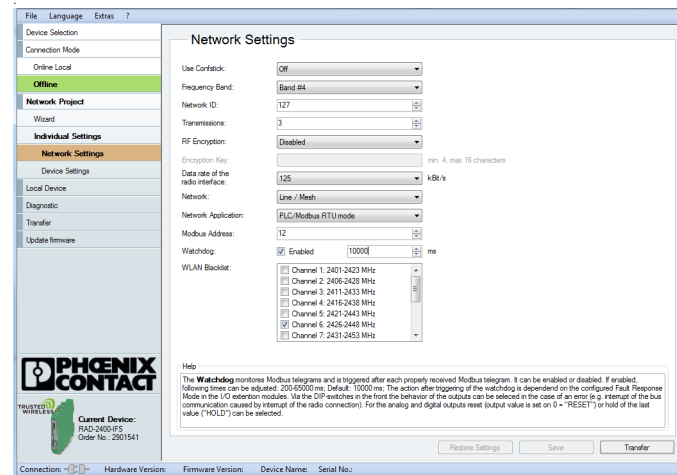


Figure 7-3 PSI-CONF software: Individual Settings, Network Settings

If the watchdog is triggered, an action will be performed on the I/O output modules. You can set this behavior in the event of an error using the DIP switches on the front.

- OFF = RESET: Output value is set to 0
- ON = HOLD: Hold last output value

For more detailed information regarding switch setting for the different extension modules, please refer to Section 3, “Description of I/O extension modules”.

If the watchdog is activated and Modbus communication interrupted, the red ERR LED will flash on all wireless modules in the network. Depending on the DIP switch settings, the output modules issue the corresponding hold or reset value.

8 PLC/Modbus RTU dual mode



PLC/Modbus RTU dual mode is available for firmware version 1.80 or later. You can update the firmware free of charge using the PSI-CONF software, Version 2.33 or later. The firmware and software can be found on the Internet at phoenixcontact.net/products.

Activate the PLC/Modbus RTU dual mode using the PSI-CONF software (from Section 5.6, "Configuration via PSI-CONF software" onwards).

In PLC/Modbus RTU dual mode, you can read the I/O values of the extension modules connected to the wireless slave modules via the Modbus RTU protocol (I/O to serial). In addition, serial Modbus devices can be connected over the wireless network. The master wireless module provides an RS-232 or RS-485 interface to a Modbus RTU master.

In PLC/Modbus RTU dual mode, all the wireless modules work as Modbus slaves and have unique Modbus slave addresses. The Modbus ID of each wireless module is set using the yellow thumbwheel.

You can connect I/O extension modules to each wireless device in the network. A wireless station can have a maximum of 32 extension modules. Use the white thumbwheel to set the I/O-MAP addresses.

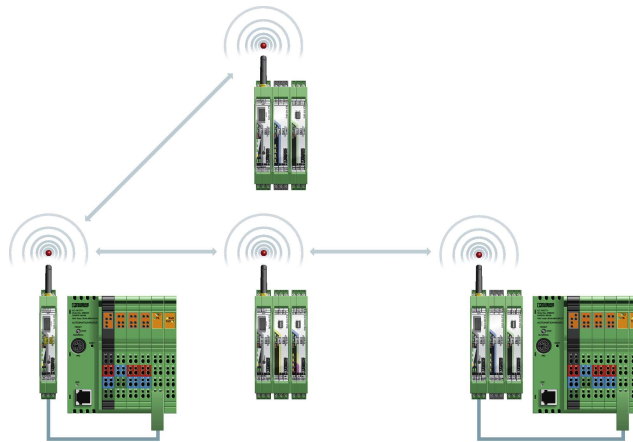


Figure 8-1 PLC/Modbus RTU dual mode

8.1 Configuration via PSI-CONF software

1. Start the PSI-CONF software (see Section 5.6, “Configuration via PSI-CONF software”).
2. Create a new network project.
3. Follow the software wizard.

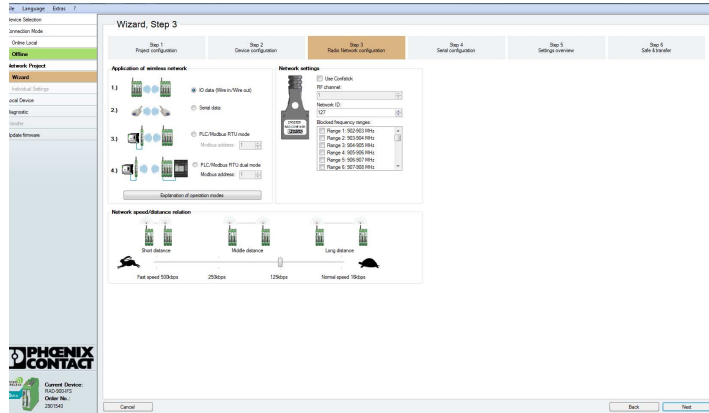


Figure 8-2 PSI-CONF software: Wizard, Step 3

4. Select “PLC/Modbus RTU dual mode” and assign a Modbus address.
5. Follow the software wizard.



The Modbus address is a unique address in the Modbus network. Assign an address between 1 ... 247.

In order to enable the master wireless module to communicate with a controller via the RS-232 or RS-485 interface, you must set the interface parameters. Please note that the controller settings must match the settings of the wireless module.

Table 8-1 Configuration via PSI-CONF software

Parameter	Possible values	Default setting
Interface type	RS-232, RS-485	RS-232
Data rate	300 ... 115,200 bps	19,200 bps
Parity	None, even, odd	None
Number of stop bits	1; 2	1
Number of data bits	8	8
Modbus address	1 ... 247	1

The Modbus connection between the controller and the wireless module can be monitored via a watchdog. For additional information on the watchdog, refer to page 95.

8.2 Addressing I/O extension modules

In PLC/Modbus RTU dual mode, a wireless station can have a maximum of 32 I/O extension modules.

Use the white thumbwheel on the I/O extension module to set the I/O-MAP address. You can find information on addressing extension modules from “Setting the address of the extension modules via the thumbwheel” on page 80 onwards.

8.3 Watchdog

The Modbus telegram watchdog monitors the connection between the master wireless module and the controller. It is triggered each time a Modbus telegram is received correctly. You can activate the watchdog using the PSI-CONF software.

- Select the “Network Settings” item under “Individual Settings”. Set a watchdog time between 200 ms ... 65,000 ms.

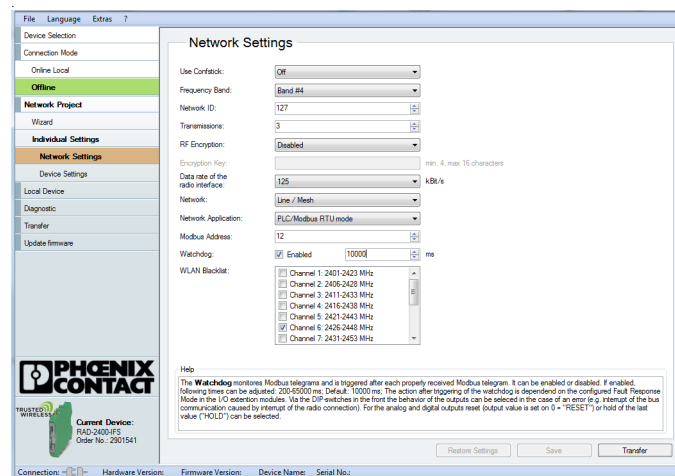


Figure 8-3 PSI-CONF software: Individual Settings, Network Settings

If the watchdog is triggered, an action will be performed on the I/O output modules. You can set this behavior in the event of an error using the DIP switches on the front.

- OFF = RESET: Output value is set to 0
- ON = HOLD: Hold last output value

For more detailed information regarding switch setting for the different extension modules, please refer to Section 3, “Description of I/O extension modules”.

If the watchdog is activated and Modbus communication interrupted, the red ERR LED will flash on all wireless modules in the network. Depending on the DIP switch settings, the output modules issue the corresponding hold or reset value.

9 Addressing I/O extension modules and RAD-900-DAIO6 with Modbus RTU

9.1 Modbus function codes

In the Modbus protocol, the function codes define which data is to be read or written. With a single request, the registers 1 ... 123 can be read or written.

Table 9-1 Supported Modbus function codes

Code number	Function code	Description
fc 03	Read Holding Register	Read process output data (address area 40010 ... 40999)
fc 04	Read Input Register	Read process input data (address area 30010 ... 30999)
fc 16	Write Multiple Registers	Write multiple output registers word by word



Other function codes exist in the Modbus protocol, but they are not supported.

9.2 Modbus protocol

The data is transmitted using the Modbus/RTU (Remote Terminal Unit) protocol. Communication takes place according to the master/slave method. The Modbus master initiates communication with a request to the slave. If the slave detects that its address has been accessed by the master, the slave always sends a response.

Only the master is able to initiate communication. The slaves are not able to initiate communication and do not communicate with each other.

The connected extension modules write the analog or digital input and output values to an internal register. The Modbus master (e.g., a PLC) can read the individual registers using the Modbus address of the slaves. The data to be transmitted is always included in a defined frame. The frame is referred to as telegram.

The Modbus protocol defines the format of the telegrams. If an error occurs when the telegram is received on the slave side, or if the slave is unable to carry out the master request, an error telegram is sent back to the master.

Request from master

The function code in the request informs the addressed slave which action is to be carried out. The address and data bytes contain all additional information that the slave requires in order to carry out the action.

Example: The master uses function code 03 to request the slave to read the process output data and send its content to the master. The data and address bytes need to include the following information: from which register reading should start and how many registers should be read. Using the CRC check value, the slave is able to detect whether the complete telegram has been received.

Response from slave

If the response from a slave is valid, the function code will match the request from the master. The address and data field contains the data recorded by the slave (e.g., register values).

The function code is modified in the event of an error. The address and data field then contains a code that describes the error. By using the CRC check value, the master is able to determine whether the telegram content is valid or not.

The Modbus/RTU telegrams are separated by telegram pauses known as end-of-frame times. The end-of-frame time must be at least 3.5 x as long as the time required for one transmitted character. The end-of-frame time cannot be changed.

Table 9-2 Modbus protocol: structure of telegrams (frames)

Frame	Description	Size
Slave address	Slave address, valid area 1 ... 247	8 bits
Function code	Definition whether the parameter is to be read or written	8 bits
Address	Register address	16 bits
Data	<ul style="list-style-type: none"> – E.g., from the master: Which parameters are requested? – E.g., from the slave: Content of the requested parameters 	N x 16 bits
CRC (Cyclic Redundancy Check)	Test value for the cyclic redundancy check in order to detect errors in data transmission	16 bits

9.3 Addressing registers

Function code 04

You must enter 0000 (hex0000) as the start address in order to read register 30001. The address area 3xxxx is already defined by the function code field.

Function codes 03 and 16

In order to read/write registers 40032 ... 40039, you must enter 0031 (hex001F) as the start address. The address area 4xxxx is already defined by the function code field.

9.4 Module type and error code register

You can read the module type and data currentness of the I/O extension modules from the registers 30xx0 and 40xx0.

Table 9-3 Module type and currentness of data

30xx0, 40xx0 ¹															Module type and currentness of data																
15	14	13	12	11	10	09	08	07	06	05	04	03	02	01	00									X ²	Module type						

¹ xx = I/O-MAP address set using the thumbwheel

² X = Currentness of data, bit 8

The individual I/O extension modules can be clearly distinguished by the module type. The module type ID of the extension module can be read in the Modbus register.

Table 9-4 Module type IDs

Module type	Order No.	Module type ID
Analog inputs		
RAD-AI4-IFS	2901537	20 _{hex}
RAD-PT100-4-IFS	2904035	21 _{hex}
Analog outputs		
RAD-AO4-IFS	2901538	30 _{hex}
Digital inputs		
RAD-DI4-IFS	2901535	01 _{hex}
RAD-DI8-IFS	2901539	02 _{hex} (static mode) 40 _{hex} (pulse counter mode)
Digital outputs		
RAD-DOR4-IFS	2901536	10 _{hex}
RAD-DO8-IFS	2902811	11 _{hex}
Analog/digital inputs and outputs		
RAD-DAIO6-IFS	2901533	60 _{hex}
RAD-900-DAIO6	2702877	60 _{hex}

“Module type” register value

If the module type in the register is invalid or unavailable, then the register value is 0.

“Currentness of data” register value

If the data in the register is not up-to-date, the register value is 1. This is, for example, the case if the wireless connection to an input module fails. The input process data is then retained in the Modbus table, but is no longer updated. In the case of an output module, the “Currentness of data” register value is set to 1 until the output process data has been written to the Modbus registers.

The read I/O data is only valid and current if a valid module type value is returned by the slave and the “Currentness of data” register value equals 0.

9.4.1 Assigning I/O extension modules to the register

Use the white thumbwheel on the I/O extension module to assign an I/O-MAP address in the Modbus memory map. Example: If you set the thumbwheel of an input module to the I/O-MAP address = 01, the register assignment is 30010.

Table 9-5 Setting the white thumbwheel for register 30010 (read)

Read register	I/O-MAP address (white thumbwheel)	Consecutive number 0 ... 9
30	01	0

9.5 Modbus memory map

The I/O data from the extension modules is stored in an internal register, the Modbus memory map. In PLC/Modbus RTU mode, the Modbus memory map is contained in the master wireless module with the RAD ID = 01. In PLC/Modbus RTU dual mode, the Modbus memory map is contained within each wireless module. The data contained can be read or written by a Modbus master.

The following process data tables for the individual extension modules show at what position the I/O data is stored in the Modbus memory map. You can find a complete overview of the Modbus memory map from page 109 onwards.

The RSSI signal register can be found starting on page 113.

9.5.1 RAD-AI4-IFS process data

I/O module	Module type ID	Number of registers	Address area	Function code
RAD-AI4-IFS	20 _{hex}	06 _{hex}	30xx0 ... 30xx5 ¹	fc 04

¹ xx = I/O-MAP address set using the thumbwheel

30xx1	Reserved
--------------	-----------------

30xx2 Analog input 1 (terminal point 2.x)															
15	14	13	12	11	10	09	08	07	06	05	04	03	02	01	00
AI1															

30xx3 Analog input 2 (terminal point 3.x)															
15	14	13	12	11	10	09	08	07	06	05	04	03	02	01	00
AI2															

30xx4 Analog input 3 (terminal point 4.x)															
15	14	13	12	11	10	09	08	07	06	05	04	03	02	01	00
AI3															

30xx5 Analog input 4 (terminal point 5.x)															
15	14	13	12	11	10	09	08	07	06	05	04	03	02	01	00
AI4															

30xx6 ... 30xx9	Reserved
------------------------	-----------------

9.5.2 RAD-PT100-4-IFS process data

I/O module	Module type ID	Number of registers	Address area	Function code
RAD-PT100-4-IFS	21 _{hex}	06 _{hex}	30xx0 ... 30xx5 ¹	fc 04

¹ xx = I/O-MAP address set using the thumbwheel

30xx1	Reserved
--------------	-----------------

30xx2 Pt 100 input 1 (terminal point 2.x)															
15	14	13	12	11	10	09	08	07	06	05	04	03	02	01	00
T1															

30xx3 Pt 100 input 2 (terminal point 3.x)															
15	14	13	12	11	10	09	08	07	06	05	04	03	02	01	00
T2															

30xx4 Pt 100 input 3 (terminal point 4.x)															
15	14	13	12	11	10	09	08	07	06	05	04	03	02	01	00
T3															

30xx5 Pt 100 input 4 (terminal point 5.x)															
15	14	13	12	11	10	09	08	07	06	05	04	03	02	01	00
T4															

30xx6 ... 30xx9	Reserved
------------------------	-----------------

9.5.3 RAD-AO4-IFS process data

I/O module	Module type ID	Number of registers	Address area	Function code
RAD-AO4-IFS	30 _{hex}	06 _{hex}	40xx0 ... 40xx5 ¹	fc 03, 16

¹ xx = I/O-MAP address set using the thumbwheel

40xx1	Reserved														
40xx2	Analog output 1 (terminal point 2.x)														
15	14	13	12	11	10	09	08	07	06	05	04	03	02	01	00
AO1															
40xx3	Analog output 2 (terminal point 3.x)														
15	14	13	12	11	10	09	08	07	06	05	04	03	02	01	00
AO2															
40xx4	Analog output 3 (terminal point 4.x)														
15	14	13	12	11	10	09	08	07	06	05	04	03	02	01	00
AO3															
40xx5	Analog output 4 (terminal point 5.x)														
15	14	13	12	11	10	09	08	07	06	05	04	03	02	01	00
AO4															
40xx6 ... 40xx9	Reserved														

9.5.4 RAD-DI4-IFS process data

I/O module	Module type ID	Number of registers	Address area	Function code
RAD-DI4-IFS	01 _{hex}	02 _{hex}	30xx0 ... 30xx1 ¹	fc 04

¹ xx = I/O-MAP address set using the thumbwheel

30xx1 Digital inputs															
15	14	13	12	11	10	09	08	07	06	05	04	03	02	01	00
												DI4	DI3	DI2	DI1
Terminal point															
												6.x	5.x	2.x	1.x
30xx2 ... 30xx9								Reserved							

9.5.5 RAD-DI8-IFS process data

I/O module	Module type ID	Number of registers	Address area	Function code
RAD-DI8-IFS	02 _{hex} Static mode	02 _{hex} Static inputs	30xx0 ... 30xx1 ¹	fc 04
	40 _{hex} Pulse counter mode	06 _{hex} Pulse inputs	30xx0 ... 30xx5 ¹	fc 04
	40 _{hex} Pulse counter mode	02 _{hex} Reset counter states	40xx0 ... 40xx1 ¹	fc 03, 16

¹ xx = I/O-MAP address set using the thumbwheel

30xx1 Digital inputs DI1 ... DI8 (static mode)															
15	14	13	12	11	10	09	08	07	06	05	04	03	02	01	00
								DI8	DI7	DI6	DI5	DI4	DI3	DI2	DI1
Terminal point															
								5.x	5.x	4.x	4.x	3.x	3.x	2.x	2.x

30xx2 DI1: 32-bit pulse input, pulse counter mode (terminal point 2.x)															
15	14	13	12	11	10	09	08	07	06	05	04	03	02	01	00
Counter state DI1, low word															

30xx3 DI1: 32-bit pulse input, pulse counter mode (terminal point 2.x)															
31	30	29	28	27	26	25	24	23	22	21	20	19	18	17	16
Counter state DI1, high word															

30xx4 DI7: 32-bit pulse input, pulse counter mode (terminal point 5.x)															
15	14	13	12	11	10	09	08	07	06	05	04	03	02	01	00
Counter state DI7, low word															

30xx5 DI7: 32-bit pulse input, pulse counter mode (terminal point 5.x)															
31	30	29	28	27	26	25	24	23	22	21	20	19	18	17	16
Counter state DI7, high word															

30xx6 ... 30xx9	Reserved
-----------------	----------

40xx1 Reset of counter states DI1/DI7															
15	14	13	12	11	10	09	08	07	06	05	04	03	02	01	00
														X ¹	X ²

¹ Bit 1 = 1: counter state DI7 reset to 0

² Bit 0 = 1: counter state DI1 reset to 0

40xx2 ... 40xx9	Reserved
-----------------	----------

9.5.6 RAD-DOR4-IFS process data

I/O module	Module type ID	Number of registers	Address area	Function code
RAD-DOR4-IFS	10 _{hex}	02 _{hex}	40xx0 ... 40xx1 ¹	fc 03, 16

¹ xx = I/O-MAP address set using the thumbwheel

40xx1 Digital outputs															
15	14	13	12	11	10	09	08	07	06	05	04	03	02	01	00
												DO 4	DO 3	DO 2	DO 1
Terminal point															
												6.x	5.x	2.x	1.x
40xx2 ... 40xx9		Reserved													

9.5.7 RAD-DO8-IFS process data

I/O module	Module type ID	Number of registers	Address area	Function code
RAD-DO8-IFS	11 _{hex}	02 _{hex} Outputs	40xx0 ... 40xx1 ¹	fc 03.16
		02 _{hex} Short-circuit detection	30xx0 ... 30xx1 ¹	fc 04

¹ xx = I/O-MAP address set using the thumbwheel

30xx1 Short-circuit detection at the digital outputs															
15	14	13	12	11	10	09	08	07	06	05	04	03	02	01	00
Reserved														X ¹	X ²

¹ **Bit 1 = 1:** Short circuit detected at one or several outputs 5 ... 8.

² **Bit 0 = 1:** Short circuit detected at one or several outputs 1 ... 4.

30xx2 ... 30xx9	Reserved
-----------------	----------

40xx1 Digital outputs DO1 ... DO8															
Channel (high byte)								Channel (low byte)							
15	14	13	12	11	10	09	08	07	06	05	04	03	02	01	00
Reserved								DO 8	DO 7	DO 6	DO 5	DO 4	DO 3	DO 2	DO 2
Terminal point															
								5.x	5.x	4.x	4.x	3.x	3.x	2.x	2.x

40xx2 ... 40xx9	Reserved
-----------------	----------

9.5.8 RAD-DAIO6-IFS and RAD-900-DAIO6 process data

I/O module	Module type ID	Number of registers	Address area	Function code
RAD-DAIO6-IFS	60 _{hex}	03 _{hex} (inputs)	30xx0 ... 30xx2 ¹	fc 04
		03 _{hex} (outputs)	40xx0 ... 40xx2 ¹	fc 03, 16

¹ xx = I/O-MAP address set using the thumbwheel

30xx1 Digital inputs															
15	14	13	12	11	10	09	08	07	06	05	04	03	02	01	00
														DI2	DI1
Terminal point															
														2.x	1.x

30xx2 Analog input (terminal point 3.x)															
15	14	13	12	11	10	09	08	07	06	05	04	03	02	01	00
AI1															

30xx3 ... 30xx9	Reserved
------------------------	-----------------

40xx1 Digital outputs															
15	14	13	12	11	10	09	08	07	06	05	04	03	02	01	00
														DO 2	DO 1
Terminal point															
														6.x	5.x

40xx2 Analog output (terminal point 4.x)															
15	14	13	12	11	10	09	08	07	06	05	04	03	02	01	00
AO1															
Terminal point															
														4.x	

40xx3 ... 40xx9	Reserved
------------------------	-----------------

9.5.9 Complete overview of the Modbus memory map

I/O input data, address area 30010 ... 30999, Modbus function code 04			
RAD-DAIO6-IFS and RAD-900-DAIO6			
	IO-MAP	High byte 15 ... 8	Low byte 7 ... 0
30	xx	0	Currentness of data Module type ID X X X X X X X X X X
30	xx	1	DI 2 1 X X
30	xx	2	AI1 X X X X X X X X X X X X X X X X
30xx3 ... 30xx9 reserved			

I/O output data, address area 40010 ... 40999 Modbus function code 03, 16			
RAD-DAIO6-IFS and RAD-900-DAIO6			
	IO-MAP	High byte 15 ... 8	Low byte 7 ... 0
40	xx	0	Currentness of data Module type ID X X X X X X X X X X
40	xx	1	DO 2 1 X X
40	xx	2	AO1 X X X X X X X X X X X X X X X X
40xx3 ... 40xx9 reserved			

RAD-DI4-IFS			
	IO-MAP	High byte 15 ... 8	Low byte 7 ... 0
30	xx	0	Currentness of data Module type ID X X X X X X X X X X
30	xx	1	DI4 ... DI1 X X X X
30xx2 ... 30xx9 reserved			

RAD-DOR4-IFS			
	IO-MAP	High byte 15 ... 8	Low byte 7 ... 0
40	xx	0	Currentness of data Module type ID X X X X X X X X X X
40	xx	1	DO4 ... DO1 X X X X
40xx2 ... 40xx9 reserved			

RAD-DI8-IFS			
	IO-MAP	High byte 15 ... 8	Low byte 7 ... 0
30	xx	0	Currentness of data Module type ID X X X X X X X X X X
30	xx	1	DI8 ... DI1 X X X X X X X X
30	xx	2	Counter state DI1 (low word) X X X X X X X X X X X X X X X X
30	xx	3	Counter state DI1 (high word) X X X X X X X X X X X X X X X X
30	xx	4	Counter state DI7 (low word) X X X X X X X X X X X X X X X X
30	xx	5	Counter state DI7 (high word) X X X X X X X X X X X X X X X X
30xx6 ... 30xx9 reserved			

RAD-DI8-IFS			
	IO-MAP	High byte 15 ... 8	Low byte 7 ... 0
40	xx	0	Currentness of data Module type ID X X X X X X X X X X
40	xx	1	Bit 0 = 1: Reset DI1 Bit 1 = 1: Reset DI7 X X
40xx2 ... 40xx9 reserved			

RAD-900-...

I/O input data, address area 30010 ... 30999																																																					
Modbus function code 04																																																					
RAD-DO8-IFS																																																					
	IO-MAP																																																				
		High byte 15 ... 8	Low byte 7 ... 0																																																		
30	xx	0	<table border="1"> <tr> <th colspan="8">Currentness of data</th> <th colspan="8">Module type ID</th> </tr> <tr> <td></td><td></td><td></td><td></td><td></td><td></td><td></td><td></td> <td>X</td><td>X</td><td>X</td><td>X</td><td>X</td><td>X</td><td>X</td><td>X</td> </tr> </table>	Currentness of data								Module type ID																X	X	X	X	X	X	X	X																		
Currentness of data								Module type ID																																													
								X	X	X	X	X	X	X	X																																						
30	xx	1	<table border="1"> <tr> <th colspan="16">Short-circuit detection</th> </tr> <tr> <th colspan="16">Bit 0: DO 1 ... 4, Bit 1: 5 ... 8</th> </tr> <tr> <td></td><td></td><td></td><td></td><td></td><td></td><td></td><td></td><td></td><td></td><td></td><td></td><td></td><td></td><td></td><td></td> <td>X</td><td>X</td> </tr> </table>	Short-circuit detection																Bit 0: DO 1 ... 4, Bit 1: 5 ... 8																																X	X
Short-circuit detection																																																					
Bit 0: DO 1 ... 4, Bit 1: 5 ... 8																																																					
																X	X																																				
30xx2 ... 30xx9 reserved																																																					

I/O output data, address area 40010 ... 40999																																																																					
Modbus function code 03, 16																																																																					
RAD-DO8-IFS																																																																					
	IO-MAP																																																																				
		High byte 15 ... 8	Low byte 7 ... 0																																																																		
40	xx	0	<table border="1"> <tr> <th colspan="8">Currentness of data</th> <th colspan="8">Module type ID</th> </tr> <tr> <td></td><td></td><td></td><td></td><td></td><td></td><td></td><td></td> <td>X</td><td>X</td><td>X</td><td>X</td><td>X</td><td>X</td><td>X</td><td>X</td> </tr> </table>	Currentness of data								Module type ID																X	X	X	X	X	X	X	X																																		
Currentness of data								Module type ID																																																													
								X	X	X	X	X	X	X	X																																																						
40	xx	1	<table border="1"> <tr> <th colspan="16">DO</th> </tr> <tr> <td></td><td></td><td></td><td></td><td></td><td></td><td></td><td></td><td></td><td></td><td></td><td></td><td></td><td></td><td></td><td></td> <td>9</td><td>8</td><td>7</td><td>6</td><td>5</td><td>4</td><td>3</td><td>2</td><td>1</td> </tr> <tr> <td></td><td></td><td></td><td></td><td></td><td></td><td></td><td></td><td></td><td></td><td></td><td></td><td></td><td></td><td></td><td></td> <td>X</td><td>X</td><td>X</td><td>X</td><td>X</td><td>X</td><td>X</td><td>X</td><td>X</td> </tr> </table>	DO																																9	8	7	6	5	4	3	2	1																	X	X	X	X	X	X	X	X	X
DO																																																																					
																9	8	7	6	5	4	3	2	1																																													
																X	X	X	X	X	X	X	X	X																																													
40xx2 ... 40xx9 reserved																																																																					

RAD-AI4-IFS																																			
	IO-MAP																																		
		High byte 15 ... 8	Low byte 7 ... 0																																
30	xx	0	<table border="1"> <tr> <th colspan="8">Currentness of data</th> <th colspan="8">Module type ID</th> </tr> <tr> <td></td><td></td><td></td><td></td><td></td><td></td><td></td><td></td> <td>X</td><td>X</td><td>X</td><td>X</td><td>X</td><td>X</td><td>X</td><td>X</td> </tr> </table>	Currentness of data								Module type ID																X	X	X	X	X	X	X	X
Currentness of data								Module type ID																											
								X	X	X	X	X	X	X	X																				
30	xx	1	Reserved																																
30	xx	2	<table border="1"> <tr> <th colspan="16">AI1</th> </tr> <tr> <td>X</td><td>X</td><td>X</td><td>X</td><td>X</td><td>X</td><td>X</td><td>X</td><td>X</td><td>X</td><td>X</td><td>X</td><td>X</td><td>X</td><td>X</td><td>X</td> </tr> </table>	AI1																X	X	X	X	X	X	X	X	X	X	X	X	X	X	X	X
AI1																																			
X	X	X	X	X	X	X	X	X	X	X	X	X	X	X	X																				
30	xx	3	<table border="1"> <tr> <th colspan="16">AI2</th> </tr> <tr> <td>X</td><td>X</td><td>X</td><td>X</td><td>X</td><td>X</td><td>X</td><td>X</td><td>X</td><td>X</td><td>X</td><td>X</td><td>X</td><td>X</td><td>X</td><td>X</td> </tr> </table>	AI2																X	X	X	X	X	X	X	X	X	X	X	X	X	X	X	X
AI2																																			
X	X	X	X	X	X	X	X	X	X	X	X	X	X	X	X																				
30	xx	4	<table border="1"> <tr> <th colspan="16">AI3</th> </tr> <tr> <td>X</td><td>X</td><td>X</td><td>X</td><td>X</td><td>X</td><td>X</td><td>X</td><td>X</td><td>X</td><td>X</td><td>X</td><td>X</td><td>X</td><td>X</td><td>X</td> </tr> </table>	AI3																X	X	X	X	X	X	X	X	X	X	X	X	X	X	X	X
AI3																																			
X	X	X	X	X	X	X	X	X	X	X	X	X	X	X	X																				
30	xx	5	<table border="1"> <tr> <th colspan="16">AI4</th> </tr> <tr> <td>X</td><td>X</td><td>X</td><td>X</td><td>X</td><td>X</td><td>X</td><td>X</td><td>X</td><td>X</td><td>X</td><td>X</td><td>X</td><td>X</td><td>X</td><td>X</td> </tr> </table>	AI4																X	X	X	X	X	X	X	X	X	X	X	X	X	X	X	X
AI4																																			
X	X	X	X	X	X	X	X	X	X	X	X	X	X	X	X																				
30xx6 ... 30xx9 reserved																																			

RAD-AO4-IFS																																			
	IO-MAP																																		
		High byte 15 ... 8	Low byte 7 ... 0																																
40	xx	0	<table border="1"> <tr> <th colspan="8">Currentness of data</th> <th colspan="8">Module type ID</th> </tr> <tr> <td></td><td></td><td></td><td></td><td></td><td></td><td></td><td></td> <td>X</td><td>X</td><td>X</td><td>X</td><td>X</td><td>X</td><td>X</td><td>X</td> </tr> </table>	Currentness of data								Module type ID																X	X	X	X	X	X	X	X
Currentness of data								Module type ID																											
								X	X	X	X	X	X	X	X																				
40	xx	1	Reserved																																
40	xx	2	<table border="1"> <tr> <th colspan="16">AO1</th> </tr> <tr> <td>X</td><td>X</td><td>X</td><td>X</td><td>X</td><td>X</td><td>X</td><td>X</td><td>X</td><td>X</td><td>X</td><td>X</td><td>X</td><td>X</td><td>X</td><td>X</td> </tr> </table>	AO1																X	X	X	X	X	X	X	X	X	X	X	X	X	X	X	X
AO1																																			
X	X	X	X	X	X	X	X	X	X	X	X	X	X	X	X																				
40	xx	3	<table border="1"> <tr> <th colspan="16">AO2</th> </tr> <tr> <td>X</td><td>X</td><td>X</td><td>X</td><td>X</td><td>X</td><td>X</td><td>X</td><td>X</td><td>X</td><td>X</td><td>X</td><td>X</td><td>X</td><td>X</td><td>X</td> </tr> </table>	AO2																X	X	X	X	X	X	X	X	X	X	X	X	X	X	X	X
AO2																																			
X	X	X	X	X	X	X	X	X	X	X	X	X	X	X	X																				
40	xx	4	<table border="1"> <tr> <th colspan="16">AO3</th> </tr> <tr> <td>X</td><td>X</td><td>X</td><td>X</td><td>X</td><td>X</td><td>X</td><td>X</td><td>X</td><td>X</td><td>X</td><td>X</td><td>X</td><td>X</td><td>X</td><td>X</td> </tr> </table>	AO3																X	X	X	X	X	X	X	X	X	X	X	X	X	X	X	X
AO3																																			
X	X	X	X	X	X	X	X	X	X	X	X	X	X	X	X																				
40	xx	5	<table border="1"> <tr> <th colspan="16">AO4</th> </tr> <tr> <td>X</td><td>X</td><td>X</td><td>X</td><td>X</td><td>X</td><td>X</td><td>X</td><td>X</td><td>X</td><td>X</td><td>X</td><td>X</td><td>X</td><td>X</td><td>X</td> </tr> </table>	AO4																X	X	X	X	X	X	X	X	X	X	X	X	X	X	X	X
AO4																																			
X	X	X	X	X	X	X	X	X	X	X	X	X	X	X	X																				
40xx6 ... 40xx9 reserved																																			

9.6 Error codes and formats for analog input and output values

The measured value is represented in bits 0 ... 15. Values higher than 8000_{hex} indicate an error.

Analog RAD-AI4-IFS inputs

Table 9-6 Representation of analog RAD-AI4-IFS values

Data word			
hex	dec/error code	0 mA ... 20 mA	4 mA ... 20 mA
0000	0	0 mA	-
1770	6000	4 mA	4 mA
7530	30000	20 mA	20 mA
7F00	32512	21.67 mA	21.67 mA
8001	Overrange	>21.67 mA	>21.67 mA
8002	Open circuit	-	<3.2 mA
8080	Underrange	< 0 mA	-

Analog RAD-AO4-IFS outputs

Table 9-7 Representation of analog RAD-AO4-IFS values

Data word			
hex	dec/error code	0 mA ... 20 mA	0 V ... 10 V
0000	0	0 mA	0 V
7530	30000	20 mA	10 V
7F00	32512	21.67 mA	10.84 V

Analog RAD-DAIO6-IFS and RAD-900-DAIO6 inputs and outputs

Table 9-8 Representation of analog RAD-DAIO6-IFS values

Data word				
hex	dec/error code	0 ... 20 mA	4 ... 20 mA	0 V ... 10 V
0000	0	0 mA	-	0 V
1770	6000	4 mA	4 mA	2 V
7530	30000	20 mA	20 mA	10 V
7F00	32512	21.67 mA	21.67 mA	10.84 V
8001	Overrange	>21.67 mA	>21.67 mA	-
8002	Open circuit	-	<3.2 mA	-
8080	Underrange	<0 mA	-	-

Error codes and formats for Pt 100 values

Table 9-9 Representation of the RAD-PT100-4-IFS Pt 100 values

Data word		RAD-PT100-4-IFS Pt 100 input	RAD-AO4-IFS analog output		Possible cause
hex	dec / error code	-50°C ... +250°C	0 mA ... 20 mA	0 V ... 10 V	
0000	0	-50°C	0 mA	0 V	
7530	30000	+250°C	20 mA	10 V	
7F00	32512	+275.12°C	21.67 mA	10.84 V	
8001	Overrange				
8002	Open circuit				Sensor wired incorrectly, measuring line too long, cable resistance too high
8080	Underrange				

9.7 RSSI signal register

The RSSI values indicate the received signal strength on the wireless module. In both PLC/Modbus RTU and PLC/Modbus RTU dual modes, you can read the RSSI values via the serial interface of the master wireless module (RAD ID = 01) using Modbus/RTU commands. The RSSI values of all wireless modules are within the address area 35001 ... 35250.

Table 9-10 RSSI signal register

Address area		35001 ... 35250															
Modbus function code		fc 04															
Address	Wireless module	High byte								Low byte, RSSI value							
		15	14	13	12	11	10	09	08	07	06	05	04	03	02	01	00
35001	RSSI - RAD ID = 1 (master)	Reserved								X	X	X	X	X	X	X	X
35002	RSSI - RAD ID = 2	Reserved								X	X	X	X	X	X	X	X
...	...	Reserved								X	X	X	X	X	X	X	X
35250	RSSI - RAD ID = 250	Reserved								X	X	X	X	X	X	X	X

- Bits 8 ... 15 are reserved.
- Values < 255 indicate the RSSI value in -dBm.
- The value 255 means that the RSSI value is invalid or the device cannot be reached.

Example for reading the RSSI register of the station with RAD ID = 2:
function code 04, start address 5001 (hex1389)



In PLC/Modbus RTU dual mode, the RSSI value is also within the register 35000 of each wireless module, since each one has its own Modbus address.

10 Detecting and removing errors

If the wireless system does not function properly, proceed as follows:

- First, ensure there is a good wireless signal (2 green bar graph LEDs or RSSI voltage ≥ 1.5 V).
- Check the status of the individual stations:
 - If the PSI-CONF software is installed, check the device status of all network devices via online diagnostics.
 - If the PSI-CONF software has not been installed, check the bar graph LEDs on the front of each device.
- Find the error using the tables from page 116 onwards.



Avoid contact between the antennas of two wireless module, otherwise the receiver might become overloaded.

Ground loops are caused by the grounding of the antenna via the antenna fixing unit, grounding the power supply or serial interface. To avoid ground loops, connect these components to a single ground point.

Strength of the receive signal

Determine the strength of the receive signal by means of the RSSI voltage. The signal strength is displayed on the LED bar graph on the wireless module.

- In a point-to-point connection, the LED bar graph is active on the master and on the repeater/slave.
- In a wireless network with more than one repeater/slave, only the yellow LED on the master is permanently on. The signal strength is displayed on the repeaters/slaves. The displayed signal strength is always related to the next wireless module in direction of the master (parents).

The RSSI indicator is a voltage output in the range between 0 V DC ... 3 V DC. The higher the voltage, the better the wireless connection. The measured voltage is directly related to the receive signal in -dB. However, please observe the small voltage fluctuation due to multipath propagation.

The recommended minimum signal strength is 1.5 V DC. This results in a power reserve of approximately 10 dB which ensures communication even in the event of unfavorable transmission conditions.

Measure the RSSI voltage at the RSSI test socket or read it using the PSI-CONF software. When connecting the master wireless module to a PC, you can read the RSSI voltages in the entire wireless network. At a slave or repeater, it is only possible to read the RSSI voltage of the specific wireless module connected.

Table 10-1 RSSI voltage





	16k	125k	250k	500k	RSSI voltage
LED 3 	-75 dBm	-70 dBm	-65 dBm	-60 dBm	2.5 V
LED 2 	-85 dBm	-80 dBm	-75 dBm	-70 dBm	2.0 V
LED 1 	-95 dBm	-90 dBm	-85 dBm	-80 dBm	1.5 V
LINK LED 	LINK	LINK	LINK	LINK	~1.0 V

Table 10-2 Detecting and removing errors: wireless module

LED, wireless module	Current state and possible cause	Solution
-	Wireless module cannot be configured using the PSI-CONF software	<ul style="list-style-type: none"> • Make sure that the wireless module is supplied with power. • Make sure that you are using the correct cable: <ul style="list-style-type: none"> – RAD-CABLE-USB (Order No. 2903447), power supply via the USB port on the PC – IFS-USB-DATACABLE (Order No. 2320500), external power supply • Install the USB driver. The driver is installed automatically during PSI-CONF software installation (see Section 5.6, “Configuration via PSI-CONF software”).
PWR off	No power supply, mains probably switched off.	<ul style="list-style-type: none"> • Switch the mains on, restore the power supply. • Ensure the power select switch is in the correct position for the type of power (RAD-900-DAIO6 only) • Check the fuse (RAD-900-DAIO6)
DAT off	No communication between wireless module and I/O extension module. Wireless module possibly in “Serial data” operating mode.	<ul style="list-style-type: none"> • Check whether the I/O extension module is properly snapped onto the DIN rail connector and whether it is connected to the wireless module. • Check the operating mode of the wireless module using the PSI-CONF software. The wireless module must either be in “I/O data” or “PLC/Modbus RTU” mode (see Section 5.6, “Configuration via PSI-CONF software”). • Reset the wireless module to the default settings (I/O data mode), if required. Disconnect the device from the supply voltage, hold down the SET button and switch the supply voltage on again (see “Resetting to the default settings” on page 67).
ERR on	Local bus error The input or output module is disconnected from the DIN rail connector and the bus.	<ul style="list-style-type: none"> • Check whether the I/O extension module is properly snapped onto the DIN rail connector. • Press the SET button on the front of the wireless module or carry out a power up. The data of the I/O extension modules are read in again.
ERR + DAT flashing	Writing to the memory stick has not been possible	<ul style="list-style-type: none"> • Repeat the process in order to correctly write to the memory stick.

Table 10-2 Detecting and removing errors: wireless module [...]

LED, wireless module	Current state and possible cause	Solution
ERR flashing fast (2.8 Hz), bar graph does not light up	No wireless connection, even though the wireless modules are not far away from each other	<ul style="list-style-type: none"> • Make sure that, in a network, only one wireless module is configured as the master (RAD ID = 01) and all other wireless modules are slaves or repeaters. Reconfigure the wireless network, if necessary. • Check whether the set RAD ID is a permitted address. • Make sure that each RAD ID (yellow thumbwheel) only occurs once in the network. • There could be an overload problem: In order to be able to cover the largest possible distances, the preamplifier has been activated and transmission power set to 20 dBm by default. When operating the devices directly next to one another, the receiver might become overloaded. In this case, remove the antennas, increase the distance between the devices/antennas or reduce transmission power using the PSI-CONF software (from Section 5.6, "Configuration via PSI-CONF software" onwards). • Using the PSI-CONF software, check whether the network parameters have the same settings on all wireless modules (operating mode, network ID, RF band, data rate of the wireless interface, encryption, network type, from Section 5.6, "Configuration via PSI-CONF software" onwards). • Reset the wireless module to the default settings (I/O data mode), if required. Disconnect the device from the supply voltage, hold down the SET button and switch the supply voltage on again (see "Resetting to the default settings" on page 67).
	No wireless connection, the wireless modules are far away from each other	<ul style="list-style-type: none"> • Check whether the antennas are connected and aligned properly. • Make sure that the antenna connections are tight and free from corrosion. • Install the antenna at a higher point. Adhere to the Fresnel zone. • Use a different antenna with higher antenna gain or use shorter cables with lower signal attenuation. • Check whether there is another transmitting antenna in close proximity. Position the antenna further away from all other antennas (at least 1 m in the horizontal direction or 0.6 m in the vertical direction). • Make sure that the power supply is sufficient. • Make sure that there is no connection between the core and the shield of the cable in the connected antenna system.

Table 10-2 Detecting and removing errors: wireless module [...]

LED, wireless module	Current state and possible cause	Solution
LED bar graph, yellow LED is on only	Connection with low receive signal	<ul style="list-style-type: none"> • Check whether the antennas are connected and aligned properly. • Make sure that the antenna connections are tight and free from corrosion. • Install the antenna at a higher point. Observe the Fresnel zone. • Use a different antenna with higher antenna gain or use shorter cables with lower signal attenuation. • Check whether there is another transmitting antenna in close proximity. Position the antenna further away from all other antennas (at least 1 m in the horizontal direction or 0.6 m in the vertical direction). • Make sure that the power supply is sufficient. • Make sure that there is no connection between the core and the shield of the cable in the connected antenna system.
	Several repeaters/slaves at the wireless master	<ul style="list-style-type: none"> • No action required, normal display for a wireless network with more than one repeater/slave. The signal strength is indicated on the repeaters/slaves and is always related to the next wireless module in the direction of the master (parents).
In I/O data mode		
ERR flashing slowly (1.4 Hz)	Double assignment of IO-MAP address, two input modules have the same I/O-MAP address in a network	<ul style="list-style-type: none"> • The I/O MAP address of an input module may appear only once in the network. Use the white thumbwheel to set different I/O-MAP addresses.
	Missing input module Example: An output module does not have the corresponding input module with the same I/O-MAP address.	<ul style="list-style-type: none"> • Check whether an input module with the same I/O-MAP address has been assigned to each output module. • Set the I/O-MAP address (01 ... 99) using the white thumbwheel on the extension module. The input module must be provided with the same I/O-MAP address as the assigned output module at the other wireless station.
	Missing output module Example: An input module does not have the corresponding output module with the same I/O-MAP address.	<ul style="list-style-type: none"> • Check whether an output module with the same I/O-MAP address has been assigned to each input module. • Set the I/O-MAP address (01 ... 99) using the white thumbwheel on the extension module. The output module must be provided with the same I/O-MAP address as the assigned input module at the other wireless station.
	RAD ID changed Example: The yellow thumbwheel setting has accidentally been modified and the modification has not yet been confirmed via the SET button.	<ul style="list-style-type: none"> • Check the RAD ID setting on the yellow thumbwheel of the wireless module. • If necessary, set the correct RAD ID and press the SET button.

Table 10-2 Detecting and removing errors: wireless module [...]

LED, wireless module	Current state and possible cause	Solution
In PLC/Modbus RTU mode		
ERR flashing slowly (1.4 Hz)	Double assignment of I/O-MAP address, two input modules have the same I/O-MAP address in a network	<ul style="list-style-type: none"> The I/O MAP address of an input module may appear only once in the network. Use the white thumbwheel to set different I/O-MAP addresses.
	RAD ID changed Example: The yellow thumbwheel setting has accidentally been modified and the modification has not yet been confirmed via the SET button.	<ul style="list-style-type: none"> Check the RAD ID setting on the yellow thumbwheel of the wireless module. If necessary, set the correct RAD ID and press the SET button.
	No Modbus communication (only if watchdog is activated) Example: The communication line between the Modbus/RTU controller and the master wireless module is broken.	<ul style="list-style-type: none"> Check the communication line between the Modbus/RTU controller and the master wireless module with RAD ID 01. Check the wiring of the RS-232/485 connections on the wireless modules. Check the serial interface settings (baud rate, parity, data bits and stop bits) for the wireless modules and serial termination devices. Check whether the I/O extension module is properly snapped onto the DIN rail connector. Check whether the wireless module is in PLC/Modbus RTU mode using the PSI-CONF software (see Section 5.6, "Configuration via PSI-CONF software"). Press the SET button on the wireless module or carry out a power up in order to read in the station structure.
In "Serial data" or "PLC/Modbus RTU" mode		
RX, TX off	Wireless connection present, but application does not transmit any data	<ul style="list-style-type: none"> Check the wiring of the RS-232/485 connections on the wireless modules. Check the serial interface settings (baud rate, parity, data bits and stop bits) for the wireless modules and serial termination devices (from Section 5.6, "Configuration via PSI-CONF software" onwards).

Table 10-3 Detecting and removing errors: I/O extension module

LED, I/O module	Current state and possible cause	Solution
PWR off	No power supply. Mains probably switched off.	<ul style="list-style-type: none"> • Switch the mains on, restore the power supply. • Ensure the power select switch is in the correct position for the type of power (RAD-900-DAIO6 only) • Check the fuse (RAD-900-DAIO6)
DAT off	No communication between wireless module and I/O extension module. Wireless module possibly in “Serial data” operating mode.	<ul style="list-style-type: none"> • Check whether the I/O extension module is properly snapped onto the DIN rail connector and whether it is connected to the wireless module. • Check the operating mode of the wireless module using the PSI-CONF software. The wireless module must either be in “I/O data” or “PLC/Modbus RTU” mode (see Section 5.6, “Configuration via PSI-CONF software”). • Reset the wireless module to the default settings (I/O data mode, see “Resetting to the default settings” on page 67), if required.
ERR on	Critical internal error Example: Technical defect	<ul style="list-style-type: none"> • Please contact Phoenix Contact technical support.
ERR flashing slowly (1.4 Hz)	I/O-MAP address changed Example: The white thumbwheel setting has accidentally been modified and the modification has not yet been confirmed via the SET button.	<ul style="list-style-type: none"> • Check the IO-MAP address setting on the white thumbwheel of the I/O extension module. • If necessary, set the correct I/O-MAP address and press the SET button on the wireless module.
In I/O data mode		
ERR flashing fast (2.8 Hz)	Missing input module Example: An output module does not have the corresponding input module with the same I/O-MAP address.	<ul style="list-style-type: none"> • Check whether an input module with the same I/O-MAP address has been assigned to each output module. • Set the I/O-MAP address (01 ... 99) using the white thumbwheel on the extension module. The input module must be provided with the same I/O-MAP address as the assigned output module at the other wireless station.
	No bus communication, no wireless connection present	<ul style="list-style-type: none"> • See measures for the wireless module, page 117

Table 10-3 Detecting and removing errors: I/O extension module [...]

LED, I/O module	Current state and possible cause	Solution
In PLC/Modbus RTU mode		
ERR flashing fast (2.8 Hz)	No Modbus communication (safe state of outputs, depending on DIP switch setting)	<ul style="list-style-type: none"> • Check the communication line between the Modbus/RTU controller and the master wireless module with RAD ID 01. • Check the wiring of the RS-232/485 connections on the master and the PLC. • Check the serial interface settings (baud rate, parity, data bits and stop bits) for the master and the PLC (from Section 5.6, "Configuration via PSI-CONF software" onwards). • Check whether the I/O extension module is properly snapped onto the DIN rail connector. • Check whether the wireless module is in PLC/Modbus RTU mode using the PSI-CONF software (see Section 5.6, "Configuration via PSI-CONF software"). • Press the SET button on the wireless module or carry out a power up in order to read in the station structure.
	No bus communication, no wireless connection present	<ul style="list-style-type: none"> • See measures for the wireless module, page 117

10.1 Loopback test during serial data transmission

With an RS-232 interface, you can use the loopback test to check the data path from the master to the slave and back again. To this end, you need to short-circuit two terminal points of the RS-232 interface on the slave wireless module. It is then possible to transmit characters to the master wireless module using a terminal program (e.g., HyperTerminal). The characters are echoed back to the terminal program.



Note for Windows 7 users:

HyperTerminal is no longer available in Windows 7. Instead you can use any other terminal program.

To carry out a loopback test, proceed as follows:

- Close all PC programs on your PC, including the PSI-CONF software.
- Connect the PC to the master wireless module and start HyperTerminal via "Start, All Programs, Accessories, Communication, HyperTerminal". The COM port settings on the PC must correspond to the interface settings on the master wireless module.

- Connect the terminal points 5.1 and 5.2 of the RS-232 interface on the slave module you need to test.

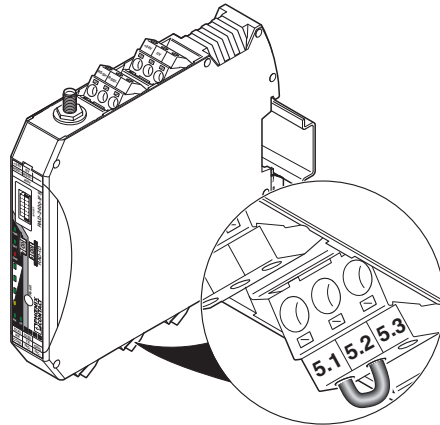


Figure 10-1 Loopback test for an RS-232 interface

- Connect both wireless modules to the power supply.
- Check the wireless connection via the LED bar graph.
- Enter several characters of your choice. HyperTerminal transmits these characters over the wireless path. On the slave side the characters are output (e.g., at terminal point 5.1, RX cable of the RS-232 interface) and immediately read again using the bridge (e.g., at terminal point 5.2, TX cable of the RS-232 interface). This returns the already transmitted characters and they appear twice on the HyperTerminal screen.
 - The screen remains blank if the check was not successful. Monitor the TX and RX LEDs on every wireless module. You can thereby determine the point up to which data has been transmitted.
 - In case the characters only appear once, check the HyperTerminal settings for hidden outgoing characters. The following options must be enabled under “File, Properties, Settings, ASCII Setup”:
 “Echo typed characters locally” and
 “Append line feeds to incoming line ends”

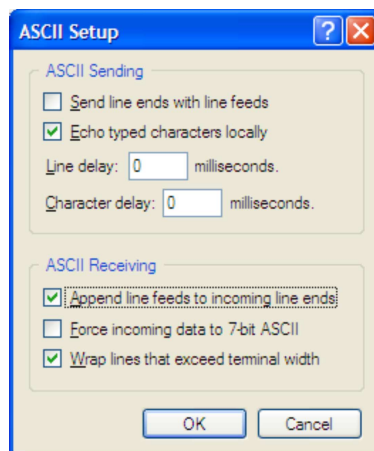


Figure 10-2 Settings in HyperTerminal

11 Diagnostics on the wireless module

11.1 Diagnostic LEDs

A total of nine LEDs on the wireless module indicate the operating states.

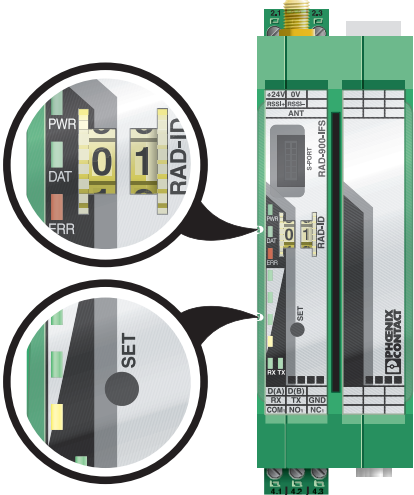


Figure 11-1 Diagnostic LEDs of the RAD-900-IFS

PWR LED

The green PWR LED indicates the supply voltage status.

- OFF No supply voltage
- ON Supply voltage OK

DAT LED

The green DAT LED indicates the bus communication status.

- OFF No communication
- Flashing Configuration mode
- ON Cyclic data communication

ERR LED

The red ERR LED indicates the error status.

OFF No error

Flashing Slow (1.4 Hz)

Wireless module in I/O data mode

- Double assignment of I/O-MAP address (e.g., two input modules with the same I/O-MAP address)
- Missing input module
- Missing output module
- RAD ID changed

Wireless module in PLC/Modbus RTU mode

- Double assignment of I/O-MAP address (e.g., two input modules with the same I/O-MAP address)
- RAD ID changed
- No Modbus communication

Fast (2.8 Hz) Wireless connection interrupted

ON Local bus error (e.g., input or output module not read)

11.2 LED bar graph

The LED bar graph indicates the receive signal strength.

Table 11-1 LED bar graph

Bar graph	LEDs	Receive signal	RSSI voltage
	All 4 LEDs light up	Maximum signal strength 16k -75 dBm 125k -70 dBm 250k -65 dBm 500k -60 dBm	2.5 ... 3 V
	Yellow and 2 green LEDs light up	Very good signal 16k -85 dBm 125k -80 dBm 250k -75 dBm 500k -70 dBm	2 ... 2.5 V
	Yellow and 1 green LED lights up	Good signal 16k -95 dBm 125k -90 dBm 250k -85 dBm 500k -80 dBm	1.5 ... 2 V
	Yellow LED lights up	Low signal 16k LINK 125k LINK 250k LINK 500k LINK	1 ... 1.5 V
	OFF	Not connected, configuration mode or overload ¹	0 V

¹ In order to be able to cover the greatest possible distances, the preamplifier has been activated and transmission power set to 30 dBm by default. When operating the devices directly next to one another, the receiver might become overloaded. In this case, remove the antennas, increase the distance between the devices and antennas or reduce transmission power using the PSI-CONF software.

LED bar graph - light sequence

The light sequence from bottom to top signalizes:

- Firmware update or
- Wireless module is in write mode for the memory stick

TX LED, transmit data

The green TX LED indicates communication with the RS-232/RS-485 interface. The wireless module is transmitting data.



When using "Wire in/Wire out" mode, the TX LED of the master wireless module always flashes to scan for RAD-RS485-IFS modules.

RX LED, receive data

The green RX LED indicates communication with the RS-232/RS-485 interface. The wireless module is receiving data.

SET button

You can confirm a station change with the SET button, without performing a power up. Station changes include:

- Changing the RAD ID address of the wireless module
- Changing the I/O-MAP address of the extension module
- Adding or remove an I/O extension module
- Using a CONFSTICK or memory stick

After making any change, press the SET button for at least one second to apply the settings. The DAT LED starts flashing. Read in has been completed when the DAT LED stops flashing.

RF link relay

The RF link relay in the wireless module diagnoses the state of the wireless connection. The relay picks up when the wireless connection is established. If the wireless module does not receive a data packet correctly over a period of 10 seconds, the relay drops out. The relay picks up again automatically when the wireless connection is re-established.

The RF link relay has been designed as a PDT contact.



The RF link relay can be used as a fault message contact to indicate the failure of the wireless connection to the controller.

RSSI test socket

A voltage measuring device can be connected to the RSSI test socket to measure the RSSI voltage between 0 V ... 3 V. The RSSI voltage depends on the data rate set for the wireless interface. The higher the RSSI voltage, the better the wireless connection.

For example, the RSSI voltage may be helpful when positioning and aligning the antenna. The recommended minimum signal strength is 2.0 V DC. This results in a power reserve of approximately 10 dB which ensures communication even in the event of unfavorable transmission conditions.

RSSI LED bar graph

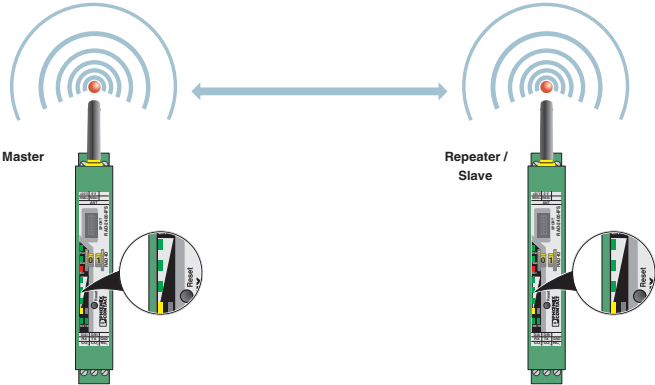


Figure 11-2 Bar graph for point-to-point connection

In a point-to-point connection with only two wireless modules, the LED bar graph is active on both the master and repeater/slave.

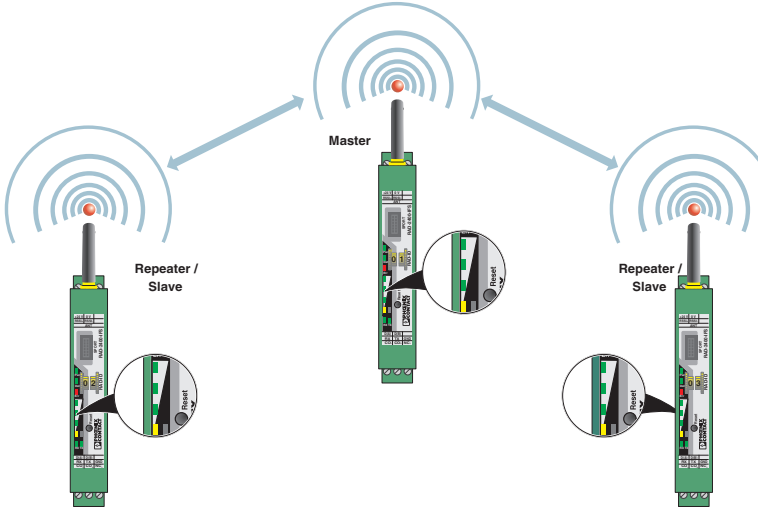


Figure 11-3 Bar graph for point-to-multipoint connection

In a wireless network with more than one repeater/slave, only the yellow LED on the master is permanently on. The signal strength is displayed on the repeaters/slaves. The signal strength indicated is always that of the next wireless module in the direction of the master (parents).

Read the RSSI values via the serial interface of the master wireless module using Modbus RTU commands (see “Modbus memory map” on page 100).

11.3 Diagnostics via PSI-CONF software

Display all current device settings for the station under “Diagnostic” on the “Overview” tab. Select the desired station from the device list.

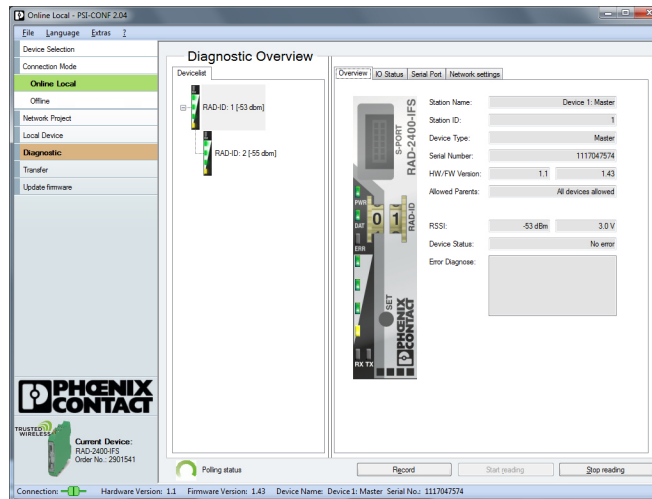


Figure 11-4 PSI-CONF software: Diagnostic, Overview



The entire wireless network can be diagnosed using the master wireless module (RAD ID = 01).

When operating the network in serial data mode, it may not be possible to diagnose all devices. In this case, stop the serial application in order to allow for complete diagnostics. For information on troubleshooting, please refer to Section 10, “Detecting and removing errors”.

If an error occurs in the network, an error message is displayed under “Device Status”. If the error is no longer present, the error message is reset.

Possible error message:

- Missing input module
- Missing output module
- Double assignment of I/O-MAP address
- Error on IFS bus
- Wireless connection interrupted
- RAD ID changed
- CONFSTICK has not yet been inserted

The "I/O Status" tab displays the status and the current values of the connected I/O extension modules.

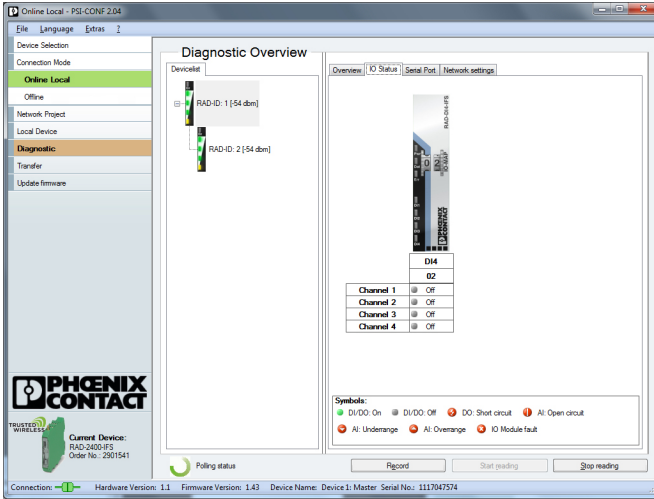


Figure 11-5 PSI-CONF software: Diagnostic, I/O Status

The "Serial Port" tab indicates the currently set parameters of the RS-232/RS-485 interface.

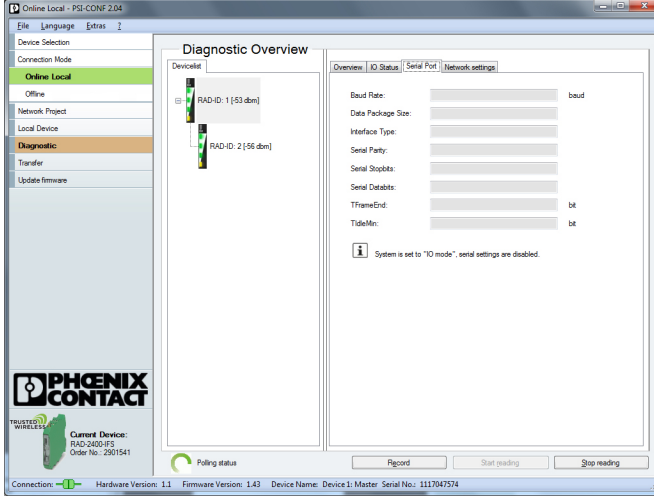


Figure 11-6 PSI-CONF software: Diagnostic, Serial Port

The “Network Settings” tab shows the currently set network parameters as well as the settings of the CONFSTICK, if used.

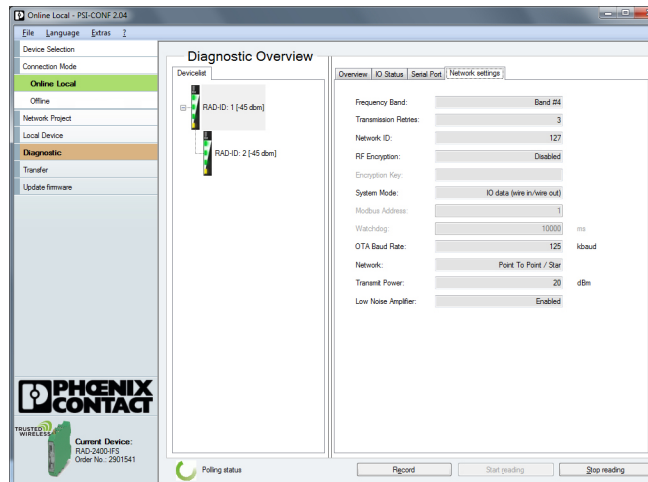


Figure 11-7 PSI-CONF software: Diagnostic, Network Settings

11.3.1 Recording parameters

The following parameters can be recorded using the PSI-CONF software:

- Signal strength
 - Network structure
 - Status and current values of the connected extension modules
1. Click “Record” under “Diagnostic”.
 2. Select “Network diagnostics” or “I/O diagnostics” under “Select the type of data to record”.
 3. Under “Recording interval”, you can specify how often the values should be recorded.
For network diagnostics: Activate “Record signal strength” or “Record network structures”.
 4. Select a storage location and click on “Start Recording”.

Diagnostic data is now written to a CSV file which can be opened, for example, with Excel.

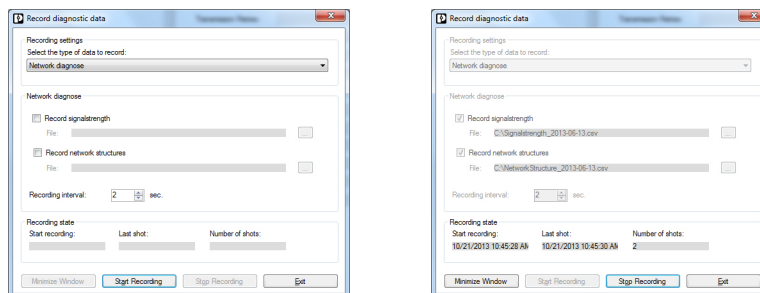


Figure 11-8 PSI-CONF software: Record diagnostic data, Network diagnostics

12 Appendixes

12 1 List of figures

Section 2

Figure 2-1:	RAD-900-IFS structure	10
Figure 2-2:	RAD-900-IFS circuit diagram	11
Figure 2-3:	RAD-900-DAIO6 structure	12
Figure 2-4:	RAD-900-DAIO6 circuit diagram	13

Section 3

Figure 3-1:	RAD-AI4-IFS structure	16
Figure 3-2:	Basic circuit diagram for the RAD-AI4-IFS	17
Figure 3-3:	DIP switches of the RAD-AI4-IFS	17
Figure 3-4:	Diagnostic LEDs of the RAD-AI4-IFS	18
Figure 3-5:	2-wire connection technology	21
Figure 3-6:	3-wire connection technology	21
Figure 3-7:	4-wire connection technology	22
Figure 3-8:	Systematic temperature measuring error ΔT depending on the cable length l	22
Figure 3-9:	Systematic temperature measuring error ΔT depending on the cable cross section A	23
Figure 3-10:	Systematic temperature measuring error ΔT depending on the cable temperature T_A	23
Figure 3-11:	Shielding with 3-wire connection technology	24
Figure 3-12:	2-wire connection technology with twisted pair cables and shielding ..	24
Figure 3-13:	3-wire connection technology with twisted pair cables and shielding ..	25
Figure 3-14:	RAD-PT100-4-IFS structure	25
Figure 3-15:	Basic circuit diagram for the RAD-PT100-4-IFS	26
Figure 3-16:	Diagnostic LEDs of the RAD-PT100-4-IFS	26
Figure 3-17:	RAD-AO4-IFS structure	28
Figure 3-18:	Basic circuit diagram for the RAD-AO4-IFS	29
Figure 3-19:	DIP switches of the RAD-AO4-IFS	29
Figure 3-20:	Diagnostic LEDs of the RAD-AO4-IFS	30
Figure 3-21:	RAD-DI4-IFS structure	32
Figure 3-22:	Basic circuit diagram for the RAD-DI4-IFS	33

Figure 3-23:	Diagnostic LEDs of the RAD-DI4-IFS	33
Figure 3-24:	RAD-DI8-IFS structure	35
Figure 3-25:	Basic circuit diagram for the RAD-DI8-IFS	36
Figure 3-26:	DIP switches of the RAD-DI8-IFS	37
Figure 3-27:	Diagnostic LEDs of the RAD-DI8-IFS	38
Figure 3-28:	RAD-DOR4-IFS structure	41
Figure 3-29:	Basic circuit diagram for the RAD-DOR4-IFS	42
Figure 3-30:	DIP switches of the RAD-DOR4-IFS	42
Figure 3-31:	Diagnostic LEDs of the RAD-DOR4-IFS	43
Figure 3-32:	RAD-DO8-IFS structure	45
Figure 3-33:	Basic circuit diagram for the RAD-DO8-IFS	46
Figure 3-34:	DIP switches of the RAD-DO8-IFS	47
Figure 3-35:	Diagnostic LEDs of the RAD-DO8-IFS	47
Figure 3-36:	RAD-DAIO6-IFS structure	51
Figure 3-37:	Basic circuit diagram for the RAD-DAIO6-IFS	52
Figure 3-38:	DIP switches of the RAD-DAIO6-IFS	52
Figure 3-39:	Diagnostic-LEDs of the RAD-DAIO6-IFS	53
Figure 3-40:	Typical RAD-RS485-IFS installation	55

Section 4

Figure 4-1:	Radioline connection station with up to 32 I/O extension modules	57
Figure 4-2:	Mounting and removal	58
Figure 4-3:	Connecting wires	59
Figure 4-4:	Connecting the power supply	60
Figure 4-5:	RS-485 interface pin assignment	61
Figure 4-6:	RS-232 interface pin assignment (DTE - DCE)	61
Figure 4-7:	RS-232 interface pin assignment (DTE - DTE)	61
Figure 4-8:	D-SUB 9 straight-through cable pinouts for 3-wire (A) and 5-wire (B)	62
Figure 4-9:	D-SUB 9 null cable pinouts for 3-wire (A) and 5-wire (B)	62
Figure 4-10:	Connecting the antenna	63
Figure 4-11:	Mounting feet	63
Figure 4-12:	Mounting dimensions	64
Figure 4-13:	Zip ties	65

Section 5

Figure 5-1:	I/O data mode	69
Figure 5-2:	Serial data mode	69
Figure 5-3:	PLC/Modbus RTU mode	70
Figure 5-4:	PLC/Modbus RTU dual mode	70
Figure 5-5:	Configuration via CONFSTICK	72
Figure 5-6:	PSI-CONF software: Network Settings	75
Figure 5-7:	PSI-CONF software: Wizard, Step 3	76
Figure 5-8:	PSI-CONF software: Setting the data transmission speed	76
Figure 5-9:	PSI-CONF software: Individual Settings, Overview	77
Figure 5-10:	PSI-CONF software: Individual Settings, Serial Port	78
Figure 5-11:	PSI-CONF software: Individual Settings, Allowed Parents	78
Figure 5-12:	Assignment of digital inputs and digital outputs	79
Figure 5-13:	RAD-DAIO6-IFS assignment: analog/digital inputs and outputs	79
Figure 5-14:	Input module and output module with the same address	81
Figure 5-15:	Thumbwheel addressing of the RAD-900-DAIO6 in point-to-point mode	83

Section 6

Figure 6-1:	Serial data mode	85
Figure 6-2:	PSI-CONF software: Wizard, Step 3	86
Figure 6-3:	PSI-CONF software: Wizard, Step 4	86
Figure 6-4:	Frame-based data transmission: $T_{IdleMin}$ parameter	87
Figure 6-5:	Frame-based data transmission: $T_{FrameEnd}$ parameter	87
Figure 6-6:	PSI-CONF software: Individual Settings	88

Section 7

Figure 7-1:	PLC/Modbus RTU mode	89
Figure 7-2:	PSI-CONF software: Wizard, Step 3	90
Figure 7-3:	PSI-CONF software: Individual Settings, Network Settings	91

Section 8

Figure 8-1:	PLC/Modbus RTU dual mode	93
Figure 8-2:	PSI-CONF software: Wizard, Step 3	94
Figure 8-3:	PSI-CONF software: Individual Settings, Network Settings	95

Section 10

Figure 10-1:	Loopback test for an RS-232 interface	122
Figure 10-2:	Settings in HyperTerminal	122

Section 11

Figure 11-1:	Diagnostic LEDs of the RAD-900-IFS	123
Figure 11-2:	Bar graph for point-to-point connection	127
Figure 11-3:	Bar graph for point-to-multipoint connection	127
Figure 11-4:	PSI-CONF software: Diagnostic, Overview	128
Figure 11-5:	PSI-CONF software: Diagnostic, I/O Status	129
Figure 11-6:	PSI-CONF software: Diagnostic, Serial Port	129
Figure 11-7:	PSI-CONF software: Diagnostic, Network Settings	130
Figure 11-8:	PSI-CONF software: Record diagnostic data, Network diagnostics ..	130

12 2 List of tables

Section 2

Table 2-1:	RAD-900-IFS structure	10
Table 2-2:	RAD-900-DAIO6 structure	12
Table 2-3:	DIP switches of the RAD-DAIO6-IFS	13

Section 3

Table 3-1:	I/O extension modules	15
Table 3-2:	DIP switches of the RAD-AI4-IFS.....	18
Table 3-3:	Setting the I/O-MAP address for the RAD-AI4-IFS.....	19
Table 3-4:	Setting the I/O-MAP address for the RAD-PT100-4-IFS	27
Table 3-5:	DIP switches of the RAD-AO4-IFS.....	30
Table 3-6:	Setting the I/O-MAP address for the RAD-AO4-IFS.....	31
Table 3-7:	Setting the I/O-MAP address for the RAD-DI4-IFS.....	34
Table 3-8:	DIP switches of the RAD-DI8-IFS	37
Table 3-9:	Setting the I/O-MAP address for the RAD-DI8-IFS.....	39
Table 3-10:	DIP switches of the RAD-DOR4-IFS	42
Table 3-11:	Setting the I/O-MAP address for the RAD-DOR4-IFS	44
Table 3-12:	DIP switches of the RAD-DO8-IFS.....	47
Table 3-13:	Setting the I/O-MAP address for the RAD-DO8-IFS.....	49
Table 3-14:	DIP switches of the RAD-DAIO6-IFS	53
Table 3-15:	Setting the I/O-MAP address for the RAD-DAIO6-IFS	54

Section 5

Table 5-1:	Default settings of the wireless module.....	67
Table 5-2:	Data transmission speed of the wireless interface	76
Table 5-3:	Assignment of input and output modules	80

Section 7

Table 7-1:	Configuration via PSI-CONF software	90
------------	---	----

Section 8

Table 8-1:	Configuration via PSI-CONF software	94
------------	---	----

Section 9

Table 9-1:	Supported Modbus function codes	97
Table 9-2:	Modbus protocol: structure of telegrams (frames)	98
Table 9-3:	Module type and currentness of data.....	99
Table 9-4:	Module type IDs.....	99
Table 9-5:	Setting the white thumbwheel for register 30010 (read).....	100
Table 9-6:	Representation of analog RAD-AI4-IFS values	112
Table 9-7:	Representation of analog RAD-AO4-IFS values	112
Table 9-8:	Representation of analog RAD-DAIO6-IFS values.....	112
Table 9-9:	Representation of the RAD-PT100-4-IFS Pt 100 values	113
Table 9-10:	RSSI signal register	113

Section 10

Table 10-1:	RSSI voltage.....	115
Table 10-2:	Detecting and removing errors: wireless module	116
Table 10-3:	Detecting and removing errors: I/O extension module	120

Section 11

Table 11-1:	LED bar graph	125
-------------	---------------------	-----

Please observe the following notes

General terms and conditions of use for technical documentation

Phoenix Contact reserves the right to alter, correct, and/or improve the technical documentation and the products described in the technical documentation at its own discretion and without giving prior notice, insofar as this is reasonable for the user. The same applies to any technical changes that serve the purpose of technical progress.

The receipt of technical documentation (in particular user documentation) does not constitute any further duty on the part of Phoenix Contact to furnish information on modifications to products and/or technical documentation. You are responsible to verify the suitability and intended use of the products in your specific application, in particular with regard to observing the applicable standards and regulations. All information made available in the technical data is supplied without any accompanying guarantee, whether expressly mentioned, implied or tacitly assumed.

In general, the provisions of the current standard Terms and Conditions of Phoenix Contact apply exclusively, in particular as concerns any warranty liability.

This manual, including all illustrations contained herein, is copyright protected. Any changes to the contents or the publication of extracts of this document is prohibited.

Phoenix Contact reserves the right to register its own intellectual property rights for the product identifications of Phoenix Contact products that are used here. Registration of such intellectual property rights by third parties is prohibited.

Other product identifications may be afforded legal protection, even where they may not be indicated as such.

How to contact us

Internet

Up-to-date information on Phoenix Contact products and our Terms and Conditions can be found on the Internet at:

phoenixcontact.com

Make sure you always use the latest documentation.

It can be downloaded at:

phoenixcontact.net/products

Subsidiaries

If there are any problems that cannot be solved using the documentation, please contact your Phoenix Contact subsidiary.

Subsidiary contact information is available at phoenixcontact.com.

Published by

PHOENIX CONTACT GmbH & Co. KG

Flachmarktstraße 8

32825 Blomberg

GERMANY

PHOENIX CONTACT Development and Manufacturing, Inc.

586 Fulling Mill Road

Middletown, PA 17057

USA

Should you have any suggestions or recommendations for improvement of the contents and layout of our manuals, please send your comments to:

tecdoc@phoenixcontact.com