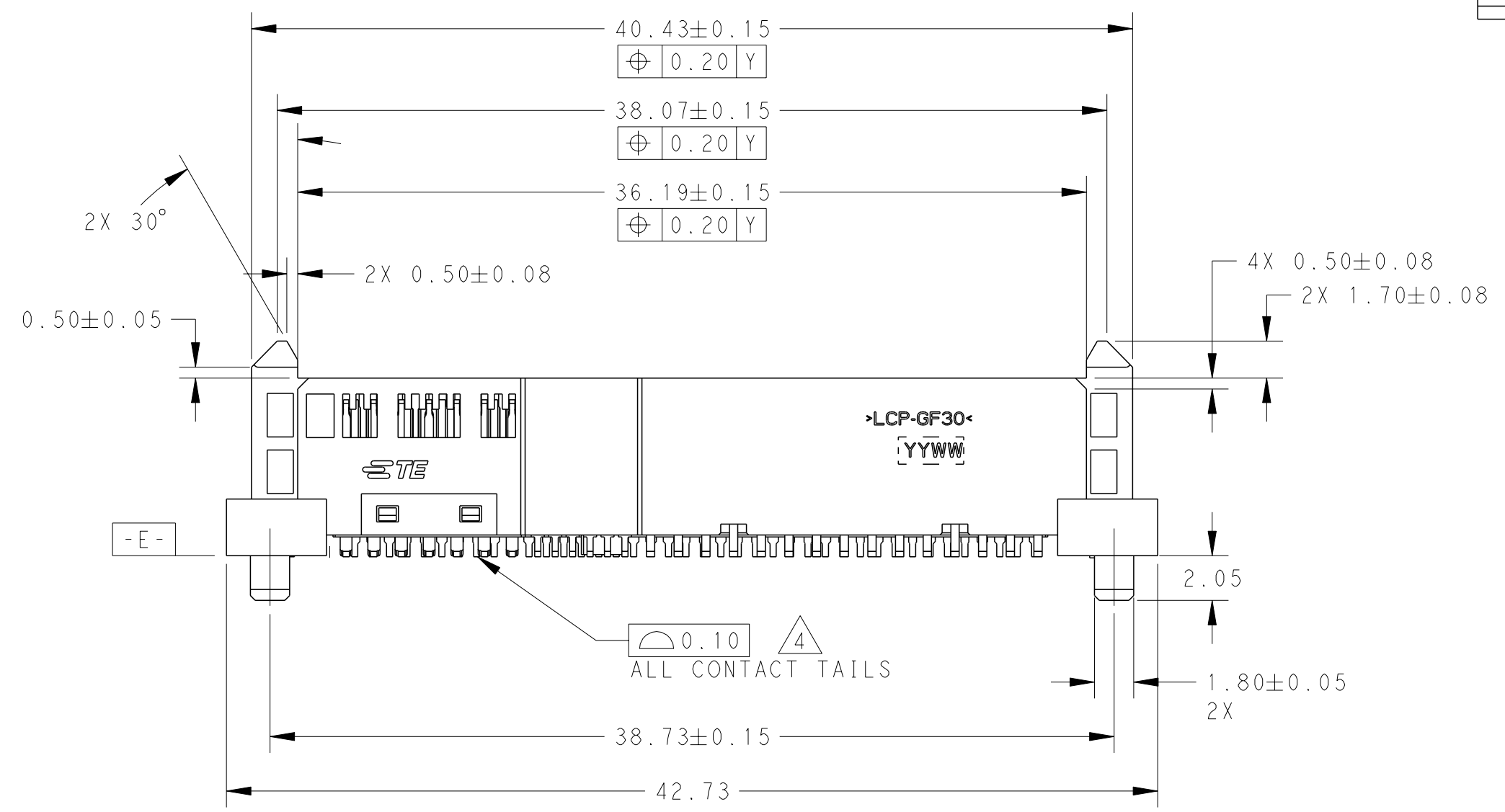
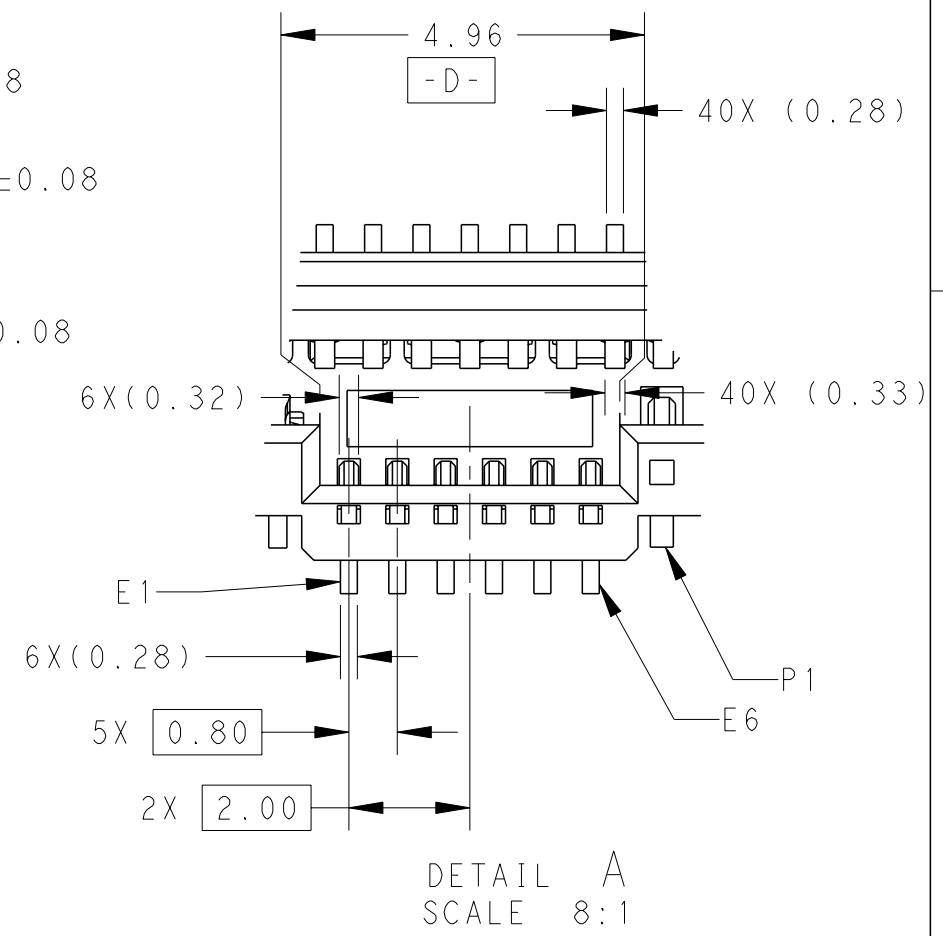
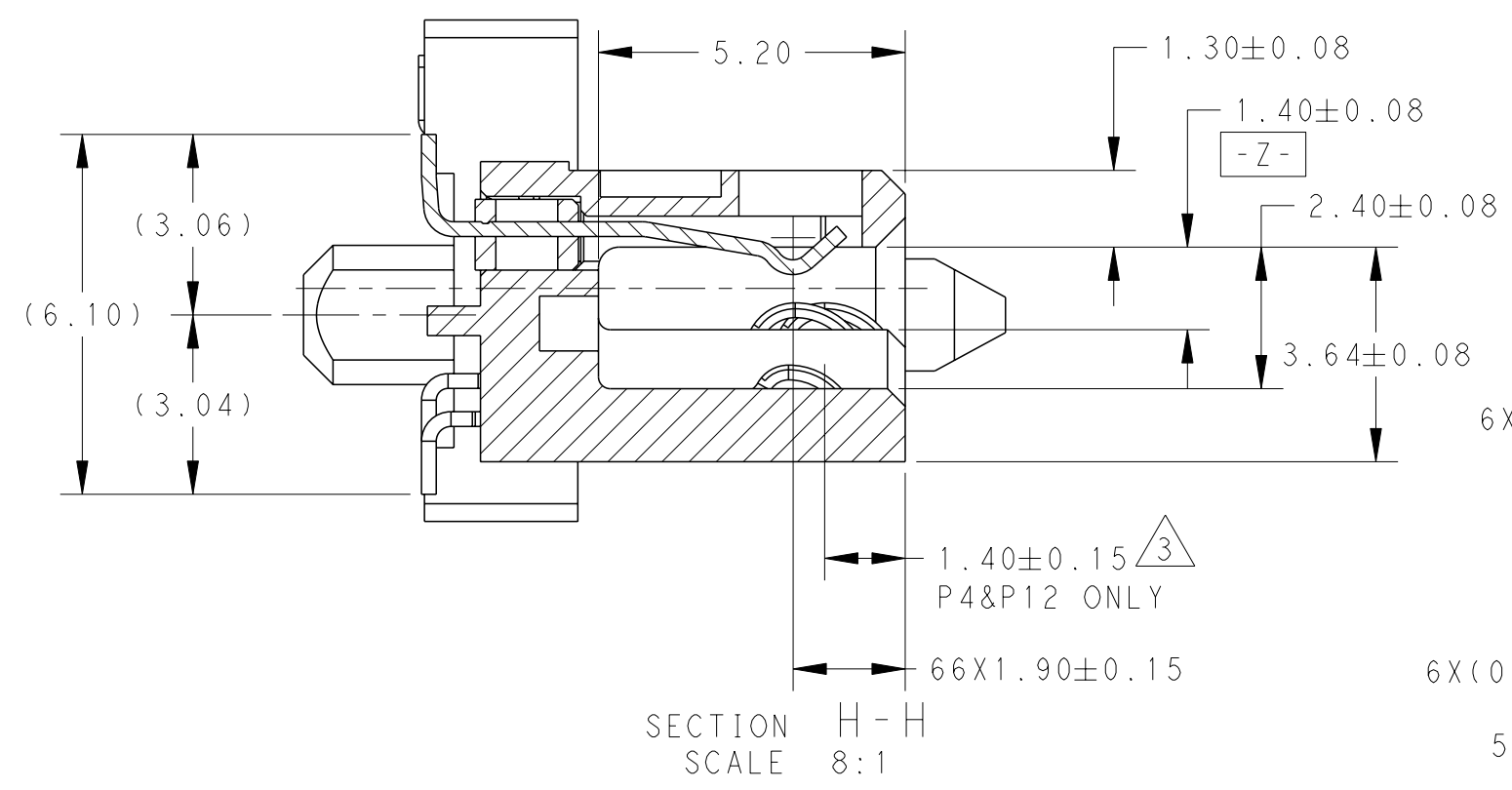
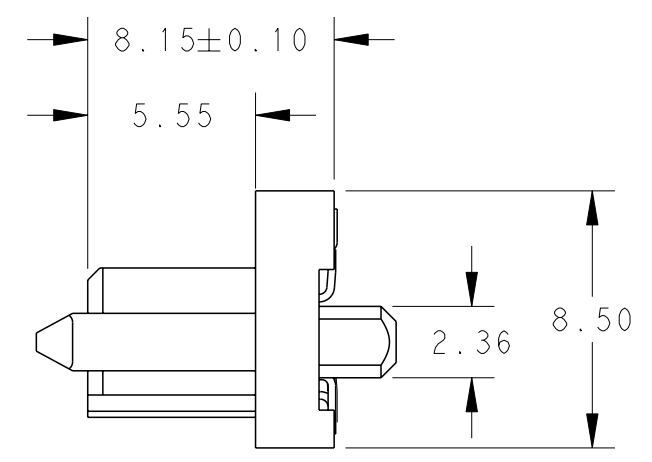
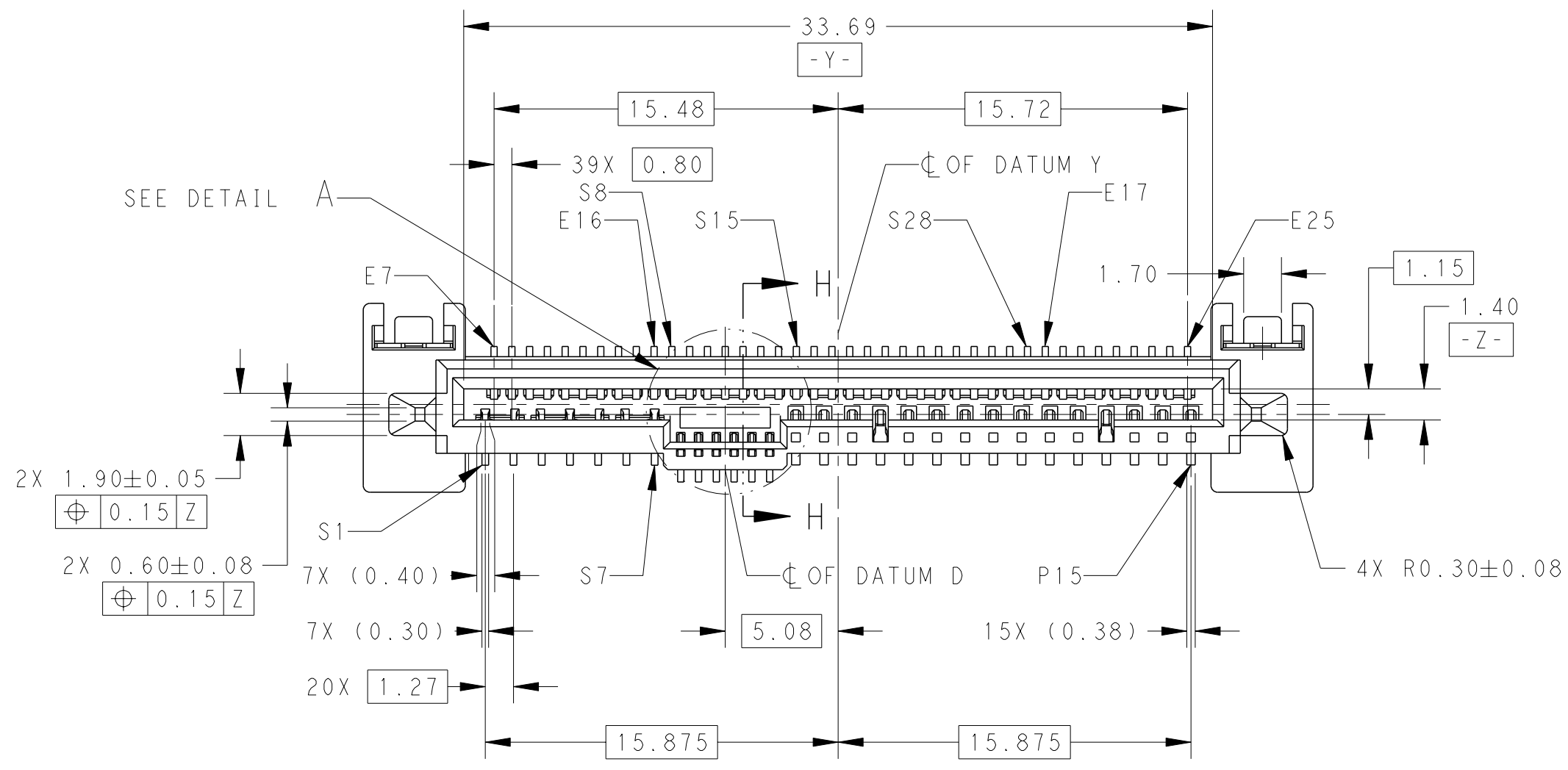


THIS DRAWING IS UNPUBLISHED. RELEASED FOR PUBLICATION 20
 © COPYRIGHT 20 BY - ALL RIGHTS RESERVED.

REVISIONS					
P	LTR	DESCRIPTION	DATE	DWN	APVD
	A	RELEASED FOR MASS PRODUCTION	22JAN2021	TX	DZ

NOTES:

- 1 MATERIAL:
HOUSING: HIGH TEMP THERMOPLASTIC, UL94V-0,
COLOR:BLACK
CONTACT: COPPER ALLOY
BOARDLOCK: COPPER ALLOY
- 2 FINISH:
CONTACT AREA:
MIN 0.76µm GOLD PLATING
SOLDERTAIL: MIN 2.54µm MATTE TIN PLATING
UNDERPLATE: MIN 1.27µm NICKEL PLATING
- 3 PIN #P4 AND #P12 ONLY
- 4 SOLDER TAIL TO BE 0.05 MAX ABOVE
AND 0.10 MAX BELOW DATUM E
- 5 1.33 MAX MEASURED AT DATUM C

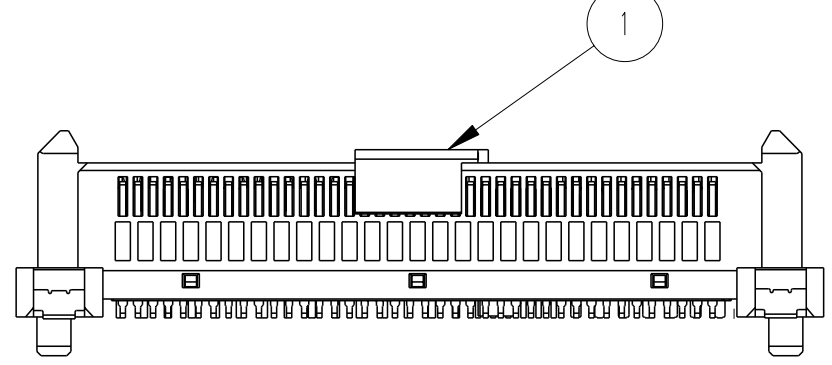
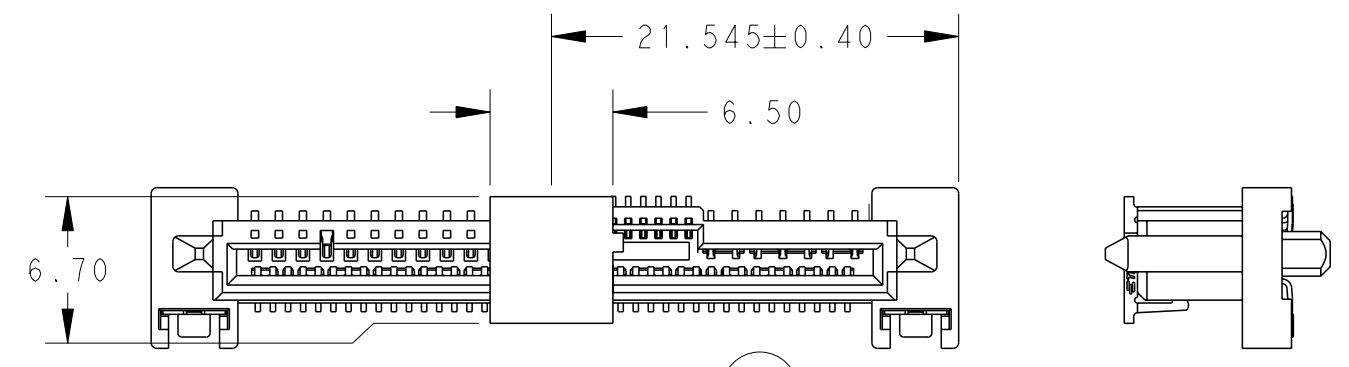


TRAY	YES	2359516-3
TAPE & REEL	YES	2359516-2
TRAY	NO	2359516-1
PACKAGING	PICK-UP CAP (1)	PART NUMBER

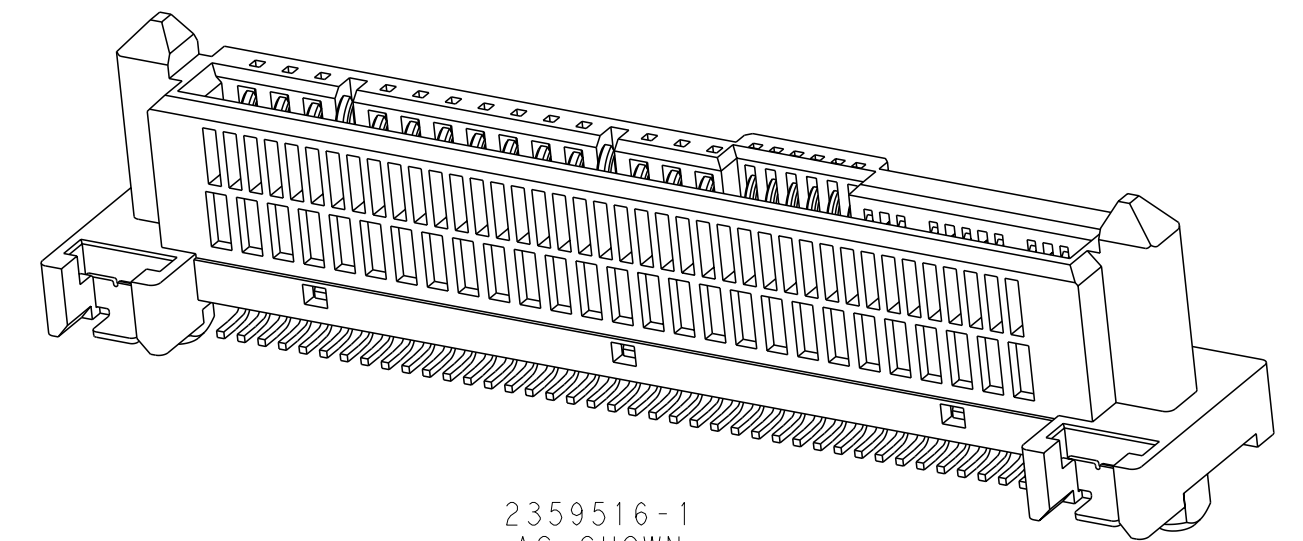
THIS DRAWING IS A CONTROLLED DOCUMENT.		DWN TIM XUE 23MAY2019	TE Connectivity	
DIMENSIONS: mm		CHK SEAN HAN 23MAY2019		
TOLERANCES UNLESS OTHERWISE SPECIFIED:		APVD S. HAN 23MAY2019	NAME SFF-8639 GEN4 RECEPTACLE CONN	
0 PLC ± 1 PLC ±0.20 2 PLC ±0.20 3 PLC ±0.20 4 PLC ±		PRODUCT SPEC	SIZE CAGE CODE DRAWING NO RESTRICTED TO	
ANGLES ±3° FINISH		APPLICATION SPEC	A200779 C-2359516	
MATERIAL		WEIGHT	SCALE 2:1 SHEET 1 OF 2 REV A	
CUSTOMER DRAWING				

THIS DRAWING IS UNPUBLISHED. RELEASED FOR PUBLICATION 20
 © COPYRIGHT 20 BY - ALL RIGHTS RESERVED.

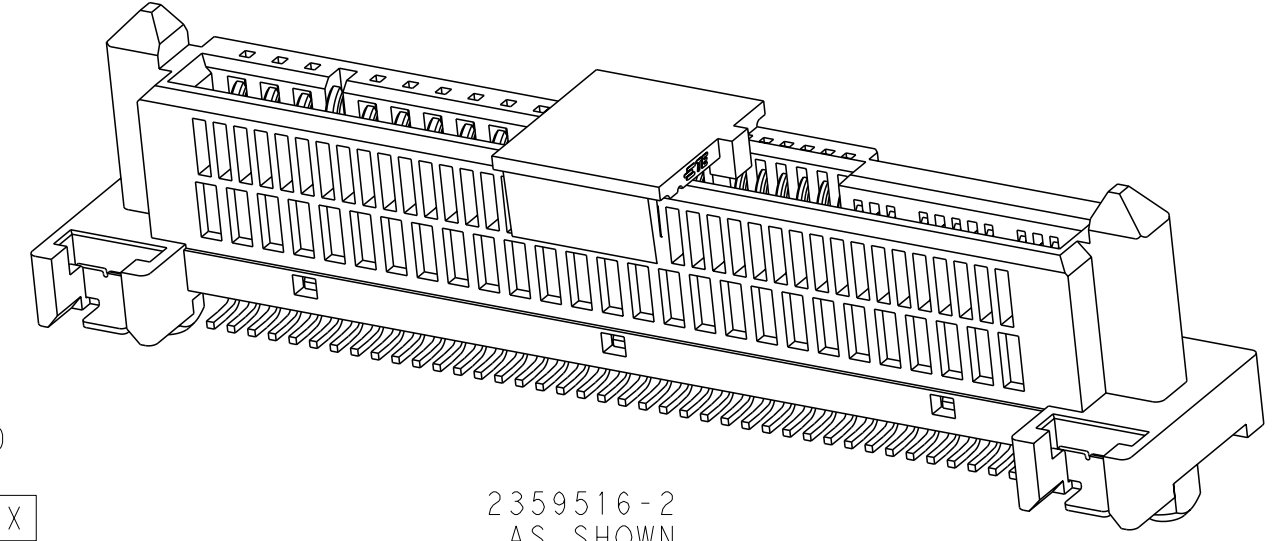
LOC		DIST		REVISIONS			
P	LTR	DESCRIPTION	DATE	DWN	APVD		
		SEE SHEET 1					



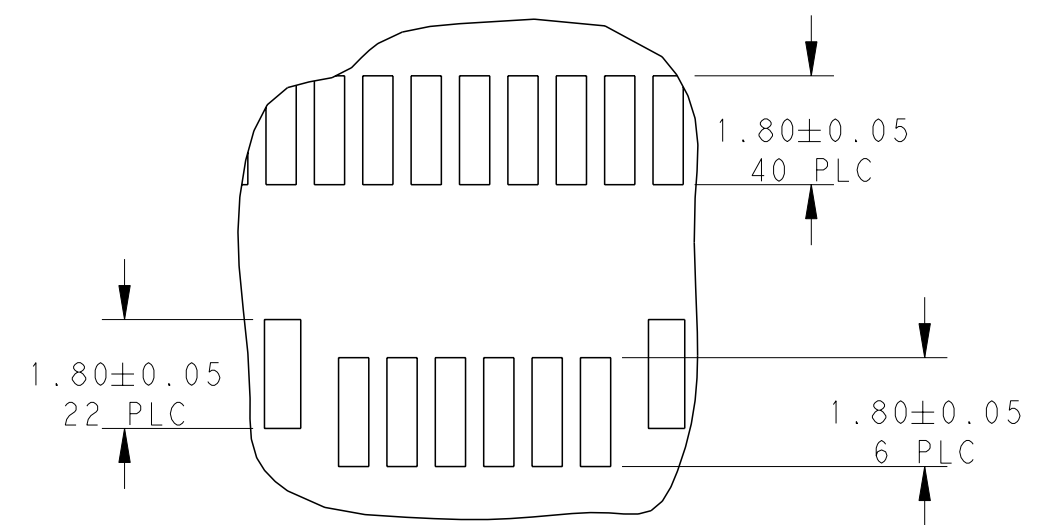
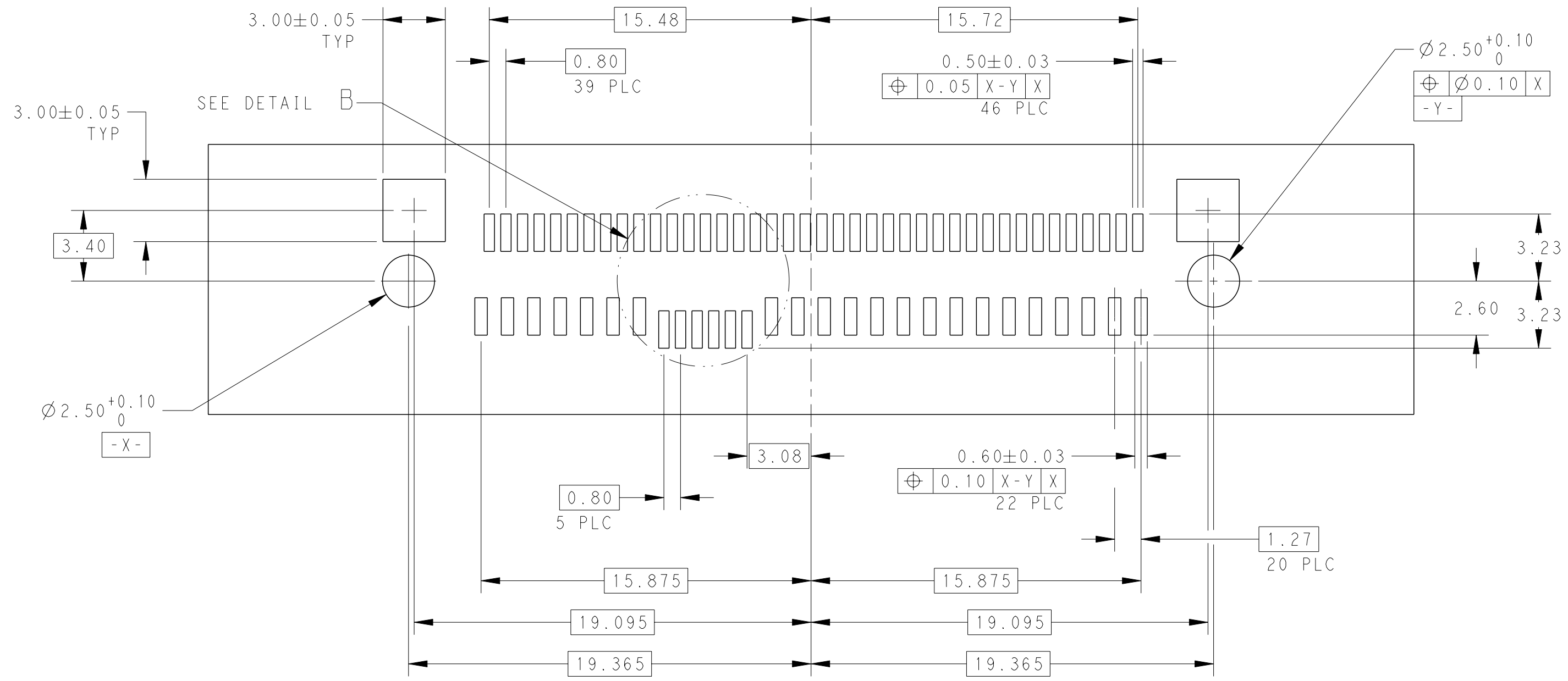
P/N: 2359516-2 AS SHOWN
 RECEPTACLE WITH PICK-UP CAP



2359516-1
 AS SHOWN
 SCALE 4:1



2359516-2
 AS SHOWN
 SCALE 4:1



DETAIL B
 SCALE 8:1

RECOMMENDED RECEPTACLE BOARD LAYOUT
 TOLERANCE FOR PCB: ±0.05
 SCALE 5:1

THIS DRAWING IS A CONTROLLED DOCUMENT.		DWN	TIM XUE	23MAY2019	TE Connectivity			
DIMENSIONS:		CHK	SEAN HAN	23MAY2019				
mm	TOLERANCES UNLESS OTHERWISE SPECIFIED:	APVD	S. HAN	23MAY2019	NAME			
	0 PLC ± 1 PLC ±0.20 2 PLC ±0.20 3 PLC ±0.20 4 PLC ± ANGLES ±3° FINISH	PRODUCT SPEC	SFF-8639 GEN4 RECEPTACLE CONN					
MATERIAL		APPLICATION SPEC	WEIGHT		SIZE	CAGE CODE	DRAWING NO	RESTRICTED TO
		CUSTOMER DRAWING			A200779	G-2359516		
		SCALE	2:1	SHEET	2	OF	2	REV
								A