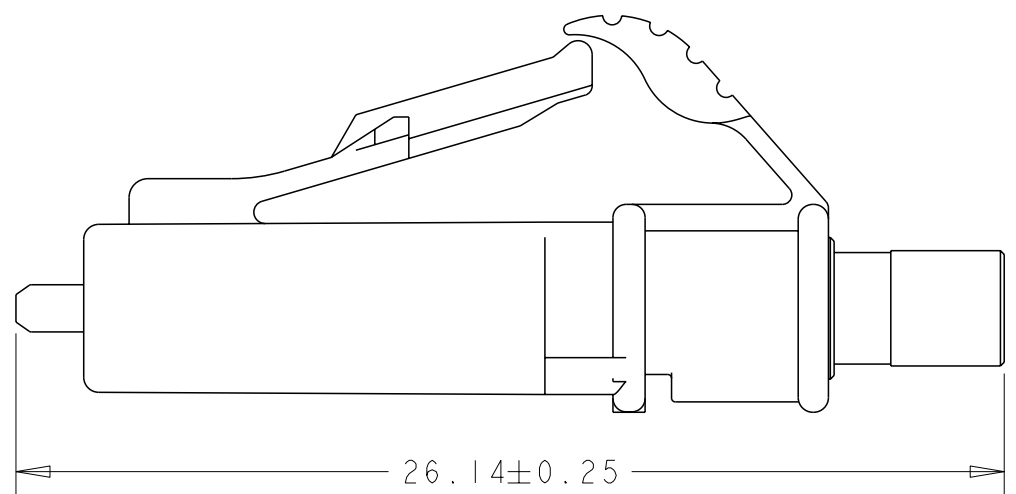
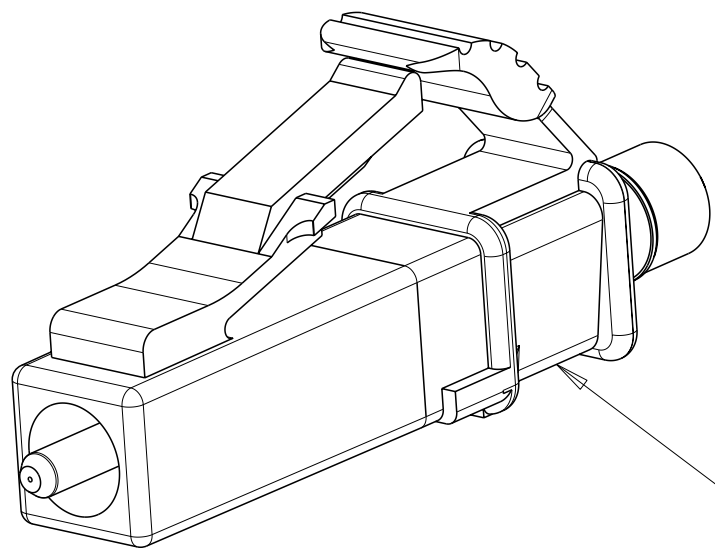


THIS DRAWING IS UNPUBLISHED. RELEASED FOR PUBLICATION
 © COPYRIGHT - ALL RIGHTS RESERVED.

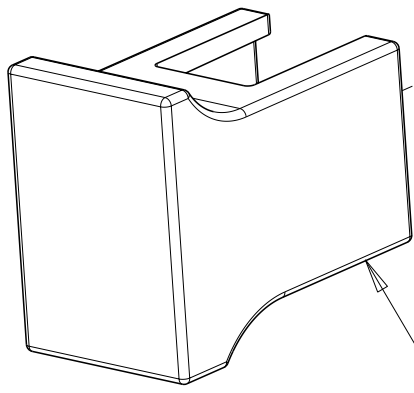
LOC	DIST	REVISIONS			
P	LTR	DESCRIPTION	DATE	DWN	APVD
HG	-	E1	PER ECR-19-006374	04JUN2019	BW RS



CONNECTOR SUB-ASSEMBLY



CONNECTOR SUB-ASSEMBLY



PROTECTIVE COVER

PVC	WHITE	1828456-4
PVC	WHITE	1828456-3
PVC	WHITE	1828456-2
PVC	WHITE	1828456-1
MATERIAL	COLOR OF PROTECTIVE COVER	PART NO

MATERIAL:
 PROTECTIVE COVER - SEE TABLE FOR DETAIL, UL 94 V-0 *
 FERRULE SUB ASSEMBLY - ZIRCONIA/METAL
 COMPRESSION SPRING - STAINLESS STEEL
 HOUSING - PEI, BLUE, UL 94 V-0 *
 INNER TUBING - PTFE, CLEAR, UL VW-1
 REAR BODY - ALUMINUM

* RATED AT QUALIFYING THICKNESS

2. BULK PACKAGED.

THIS DRAWING IS A CONTROLLED DOCUMENT.		DWN E. HOPKINS 16FEB2006	TE Connectivity CONNECTOR ASSEMBLY, ONE-PIECE LC SINGLE MODE	
DIMENSIONS: mm 		CHK D. ROHDE 16FEB2006		
TOLERANCES UNLESS OTHERWISE SPECIFIED: 0 PLC ±- 1 PLC ±- 2 PLC ±- 3 PLC ±- 4 PLC ±- ANGLES ±- FINISH -		APVD D. BAECHTLE 16FEB2006	NAME	
MATERIAL -		PRODUCT SPEC -	SIZE	
		APPLICATION SPEC -	CAGE CODE -	DRAWING NO
		WEIGHT -	C=1828456	
		CUSTOMER DRAWING	SCALE 5:1	SHEET 1 OF 1
			REV E1	