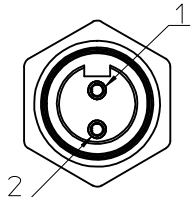
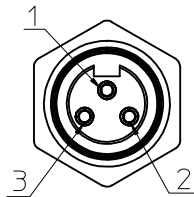


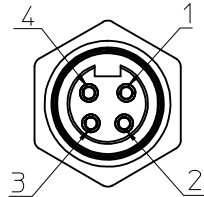
# FACE VIEW - FEMALE INSERT SCALE 2 : 1



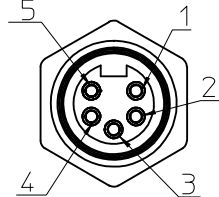
1 WHITE  
2 BLACK



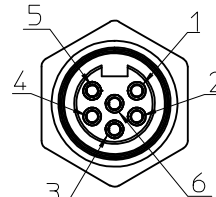
1 GREEN/YELLOW  
2 BLACK  
3 WHITE



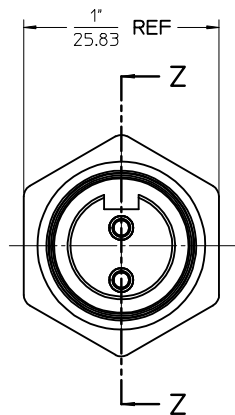
1 BLACK  
2 WHITE  
3 RED  
4 GREEN/YELLOW



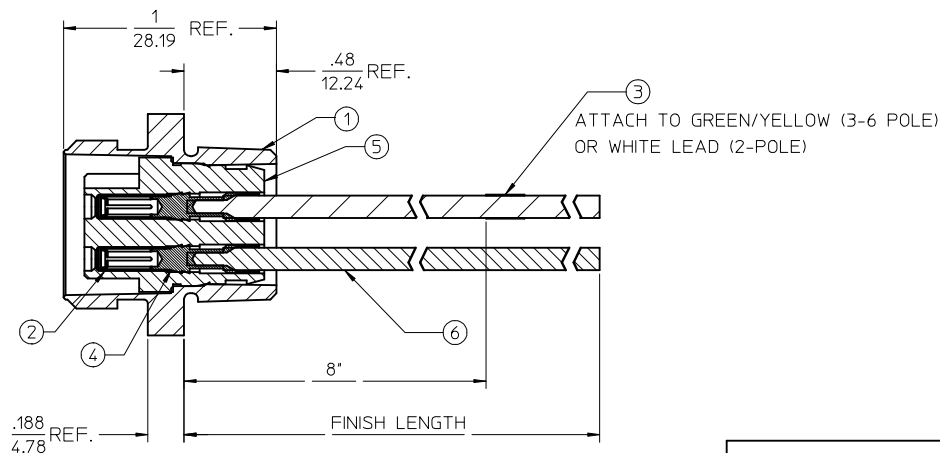
1 WHITE  
2 RED  
3 GREEN/YELLOW  
4 ORANGE  
5 BLACK



1 WHITE  
2 RED  
3 GREEN/YELLOW  
4 ORANGE  
5 BLACK  
6 BLUE



FEMALE INSERT - FRONT VIEW



FINAL ASSEMBLY  
1300130060 (SHOWN)

<b>ENTER DESCRIPTION</b> EC NO: MNA2010-0057 DRAWN BY: NKUMAR01 2009/07/13 CHKD: JFMURPHY APPR: JFMURPHY 2009/08/10 REV: A	<b>QUALITY SYMBOLS</b> ▽=0 ▽=0	<b>GENERAL TOLERANCES (UNLESS SPECIFIED)</b>		DIMENSION STYLE <b>SECTYON Z-Z</b>	SCALE <b>2:1</b>	DESIGN UNITS INCH	THIRD ANGLE PROJECTION		
		4 PLACES ± --- ± --- 3 PLACES ± --- ± --- 2 PLACES ± --- ± --- 1 PLACE ± --- ± ---		DRAWN BY: NKUMAR01 DATE: 31/07/09 CHECKED BY: BWOODMAN DATE: 31/07/09 APPROVED BY: JFMURPHY DATE: 31/07/09		TITLE <b>MC 2P FR 12IN 16/1 PVC</b>			
		ANGULAR ±1/2°		DRAFT WHERE APPLICABLE MUST REMAIN WITHIN DIMENSIONS		MATERIAL NO. <b>SEE SHEET 2</b> DOCUMENT NO. <b>SD-130013-060</b>			SHEET NO. 1 OF 2
		THIS DRAWING CONTAINS INFORMATION THAT IS PROPRIETARY TO MOLEX INCORPORATED AND SHOULD NOT BE USED WITHOUT WRITTEN PERMISSION							

FEMALE RECEPTACLE ASSEMBLY

2 POLE	3 POLE	4 POLE	5 POLE	6 POLE
--------	--------	--------	--------	--------

Sl. No.	DESCRIPTION	MATERIAL	FINISH	QUANTITY				
1	RECEPTACLE SHELL	ZINC DIECAST	BLACK E-COAT	1	1	1	1	1
2	SOCKET SLEEVE - TUBE	STAINLESS STEEL	PASSIVATED	2	3	4	5	6
3	LABEL	PLASTIC FILM	BLACK/YELLOW	1	1	1	1	1
4	SOCKET CONTACT 16AWG	COPPER ALLOY	GOLD PLATED	2	3	4	5	6
5	2P FEM INSERT PVC A-SIZE	PVC	YELLOW	1				
	3P FEM INSERT PVC A-SIZE	PVC	YELLOW		1			
	4P FEM INSERT PVC A-SIZE	PVC	YELLOW			1		
	5P FEM INSERT PVC A-SIZE	PVC	YELLOW				1	
6	#16-1 BLK PVC WIRE UL1015	PVC JACKET	BLACK	1	1	1	1	1
	#16-1 BLU PVC WIRE UL1015	PVC JACKET	BLUE					1
	#16-1 GRN/YEL PVC WIRE UL1015	PVC JACKET	GREEN/YELLOW		1	1	1	1
	#16-1 ORN PVC WIRE UL1015	PVC JACKET	ORANGE				1	1
	#16-1 RED PVC WIRE UL1015	PVC JACKET	RED			1	1	1
	#16-1 WHT PVC WIRE UL1015	PVC JACKET	WHITE		1	1	1	1

POLE COUNT	MAX. VOLTAGE RATING	MAX. CURRENT RATING
2 POLE	600 VOLTS	13 AMPS
3 POLE	600 VOLTS	13 AMPS
4 POLE	600 VOLTS	10 AMPS
5 POLE	600 VOLTS	8 AMPS
6 POLE	600 VOLTS	8 AMPS

PART NUMBER	DESCRIPTION	FINISHED LENGTH
1300130060	1R2004A20A120	12.0" +.75" -0 [0.3M +19.1MM -0]
1300130067	1R2004A20F060	6.0' +2.19' -0 [1.8M +55.6MM -0]
1300130135	1R3004A20A120	12.0" +.75" -0 [0.3M +19.1MM -0]
1300130148	1R3004A20F060	6.0' +2.19' -0 [1.8M +55.6MM -0]
1300130314	1R4004A20A120	12.0" +.75" -0 [0.3M +19.1MM -0]
1300130325	1R4004A20F060	6.0' +2.19' -0 [1.8M +55.6MM -0]
1300130442	1R5004A20A120	12.0" +.75" -0 [0.3M +19.1MM -0]
1300130452	1R5004A20F060	6.0' +2.19' -0 [1.8M +55.6MM -0]
1300130567	1R6004A20A120	12.0" +.75" -0 [0.3M +19.1MM -0]
1300130576	1R6004A20F060	6.0' +2.19' -0 [1.8M +55.6MM -0]

ENTER DESCRIPTION EC NO: MNA2010-0057 DRAWN BY: DRWINAKUMAR01 2009/07/31 CHKD: APPR: JFMURPHY 2009/08/10 REV: A	QUALITY SYMBOLS 	GENERAL TOLERANCES (UNLESS SPECIFIED)	DIMENSION STYLE <b>IN/MM</b>	SCALE <b>2:1</b>	DESIGN UNITS <b>INCH</b>	THIRD ANGLE PROJECTION 	
		4 PLACES ± --- ± --- 3 PLACES ± --- ± --- 2 PLACES ± --- ± --- 1 PLACE ± --- ± ---	DRAWN BY: NKUMAR01 DATE: 31/07/09 CHECKED BY: BWOODMAN DATE: 31/07/09 APPROVED BY: JFMURPHY DATE: 31/07/09	MC 2P FR 12IN 16/1 PVC			
		ANGULAR ±1/2°		MATERIAL NO. <b>SEE CHART</b> DOCUMENT NO. <b>SD-130013-060</b>			SHEET NO. 2 OF 2
		DRAFT WHERE APPLICABLE MUST REMAIN WITHIN DIMENSIONS		THIS DRAWING CONTAINS INFORMATION THAT IS PROPRIETARY TO MOLEX INCORPORATED AND SHOULD NOT BE USED WITHOUT WRITTEN PERMISSION			

FACE VIEW-FEMALE INSERT				
1-WHITE 2-BLACK	1-GREEN / YELLOW 2-BLACK 3-WHITE	1-BLACK 2-WHITE 3-RED 4-GREEN / YELLOW	1-WHITE 2-RED 3-GREEN / YELLOW 4-ORANGE 5-BLACK	1-WHITE 2-RED 3-GREEN / YELLOW 4-ORANGE 5-BLACK 6-BLUE

**PART NO. MATRIX**

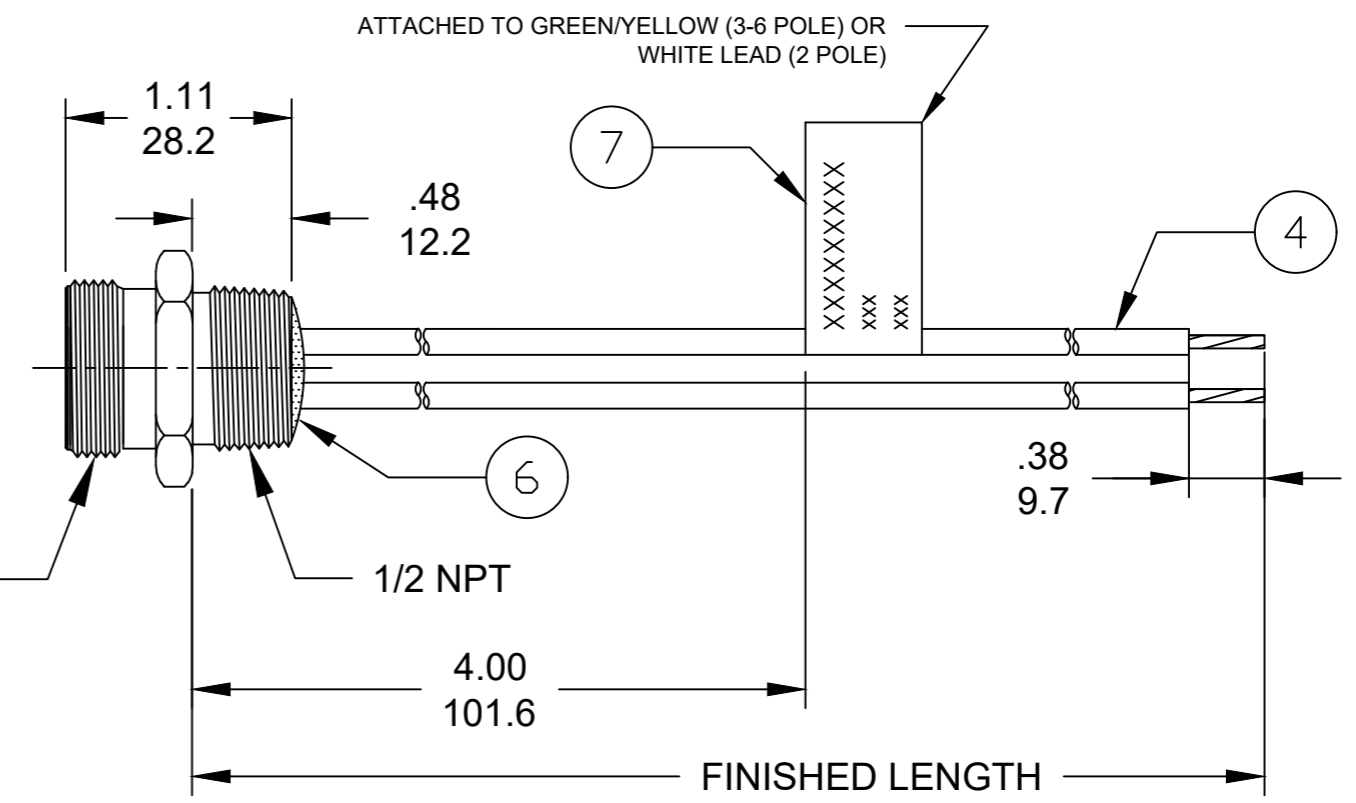
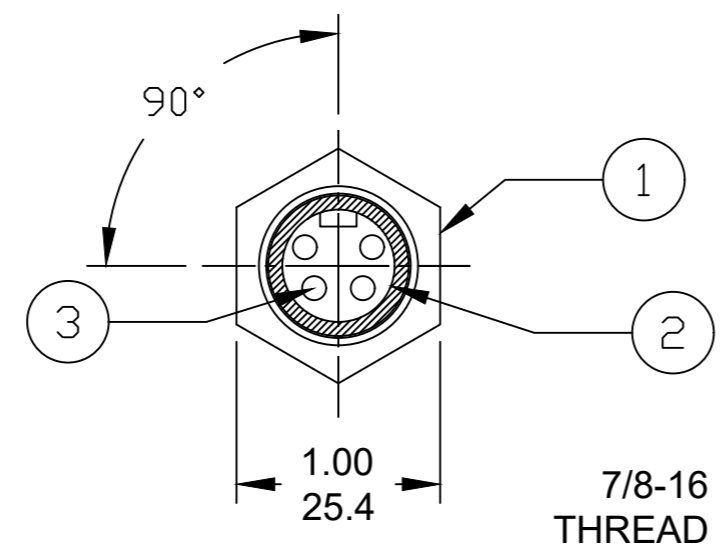
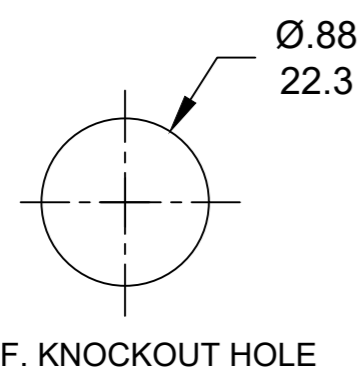
1R3004A20F020

POLES 2-6

FINISHED LENGTH:  
A120= 12 IN.  
F020= 2 FEET  
F100= 10 FEET

M005= 0.5 METER  
M010= 1 METER  
M100= 10 METER

CABLE LENGTH TOLERANCES	
>.3M [1FT]:	+19mm-0 [ +.75in-0]
.3 - .9M [1 - 3FT]:	+44.5mm-0 [+1.75in-0]
.9 - 1.8M [3 - 6FT]:	+55.6mm-0 [+2.19in-0]
1.8 - 3.7M [6 - 12FT]:	+88.9mm-0 [+3.50in-0]
3.7 - 7.3M [12 - 24FT]:	+165.1mm-0 [+6.50in-0]
7.3-14.6M [24 - 48FT]:	+317.5mm-0 [+12.50in-0]
14.6 - 30.5M [48-100FT]:	+622.3mm-0 [+24.50in-0]
OVER 30M [100FT]	+2% OF FINISHED LENGTH



- NOTES:
1. MATERIAL: SEE TABLE
  2. FINISH: SEE TABLE
  3. ELECTRICAL:  
VOLTAGE: 2P THRU 6P 600V PER UL 2238  
2 & 3P 500V PER IEC60664  
4P 483V PER IEC60664  
5 & 6P 400V PER IEC60664  
CURRENT: 2P & 3P: 13A  
4P: 10A  
5P & 6P: 8A
  4. TEMP RATING: -20°TO +105°C
  5. PROTECTION: IP67 (WHEN MATED)
  6. UL RECOGNIZED, FILE: E152210  
CSA CERTIFIED, FILE: LR6837 (B)
  7. ALL DIMENSIONS ARE FOR REFERENCE UNLESS TOLERANCED OR NOTED OTHERWISE

PART NO	ENGINEERING NO.	FINISHED LENGTH
1300130060	1R2004A20A120	12 IN [0.3M]
1300130148	1R3004A20F060	6 FT [1.8M]
1300130457	1R5004A20F120	12 FT [3.6M]
1300131011	1R6004A20M040	4.0M [13 FT 1 IN]
1300130007	1R4004A20M060	6.0M [19 FT 8 IN]

ITEM	DESCRIPTION	MATERIAL	FINISH
6	FLAG LABEL	VINYL	BLACK/YELLOW
5	POTTING MATERIAL	EPOXY	
4	WIRE, 16 AWG UL (1015)	PVC INSULATION	SEE FACE VIEW
3	CONTACT SOCKET	COPPER ALLOY	GOLD PLATED
2	FEMALE INSERT	TPE	YELLOW
1	RECEPTACLE SHELL	ZINC DIE-CAST	BLACK

FUNCTIONAL SYMBOLS	THIS DRAWING CONTAINS INFORMATION THAT IS PROPRIETARY TO MOLEX ELECTRONIC TECHNOLOGIES, LLC AND SHOULD NOT BE USED WITHOUT WRITTEN PERMISSION		
$F_A=0$ $F_C=0$ $F_P=0$	DIMENSION UNITS <b>INCH/MM</b>	SCALE ---	CURRENT REV DESC: ITEM #2 WAS PVC, CSA ADDED IN NOTES & MATERIAL TABLE MODIFIED
DIVISIONAL SYMBOLS	GENERAL TOLERANCES (UNLESS SPECIFIED)		<b>molex</b> MINI-CHANGE RECEPTACLE, A-SIZE 2-6P, FEMALE, STRAIGHT, SINGLE KEY, 16 AWG
	mm	INCH	
	4 PLACES	±---	EC NO: 641453
	3 PLACES	±---	DRWN: ABENJAMINLW 2020/05/21
	2 PLACES	±---	CHK'D: RSTONE 2020/07/20
	1 PLACE	±---	APPR: BWOODMAN 2020/07/27
	0 PLACES	±---	INITIAL REVISION:
	ANGULAR TOL ± 0.5°		DRWN: RSTONE 2016/12/05
	DRAFT WHERE APPLICABLE MUST REMAIN WITHIN DIMENSIONS	THIRD ANGLE PROJECTION	APPR: BWOODMAN 2017/01/16
		DRAWING	SERIES
		B-SIZE	130066
		MATERIAL NUMBER	CUSTOMER
		SEE_CHART	GENERAL MARKET
		SHEET NUMBER	1 OF 1