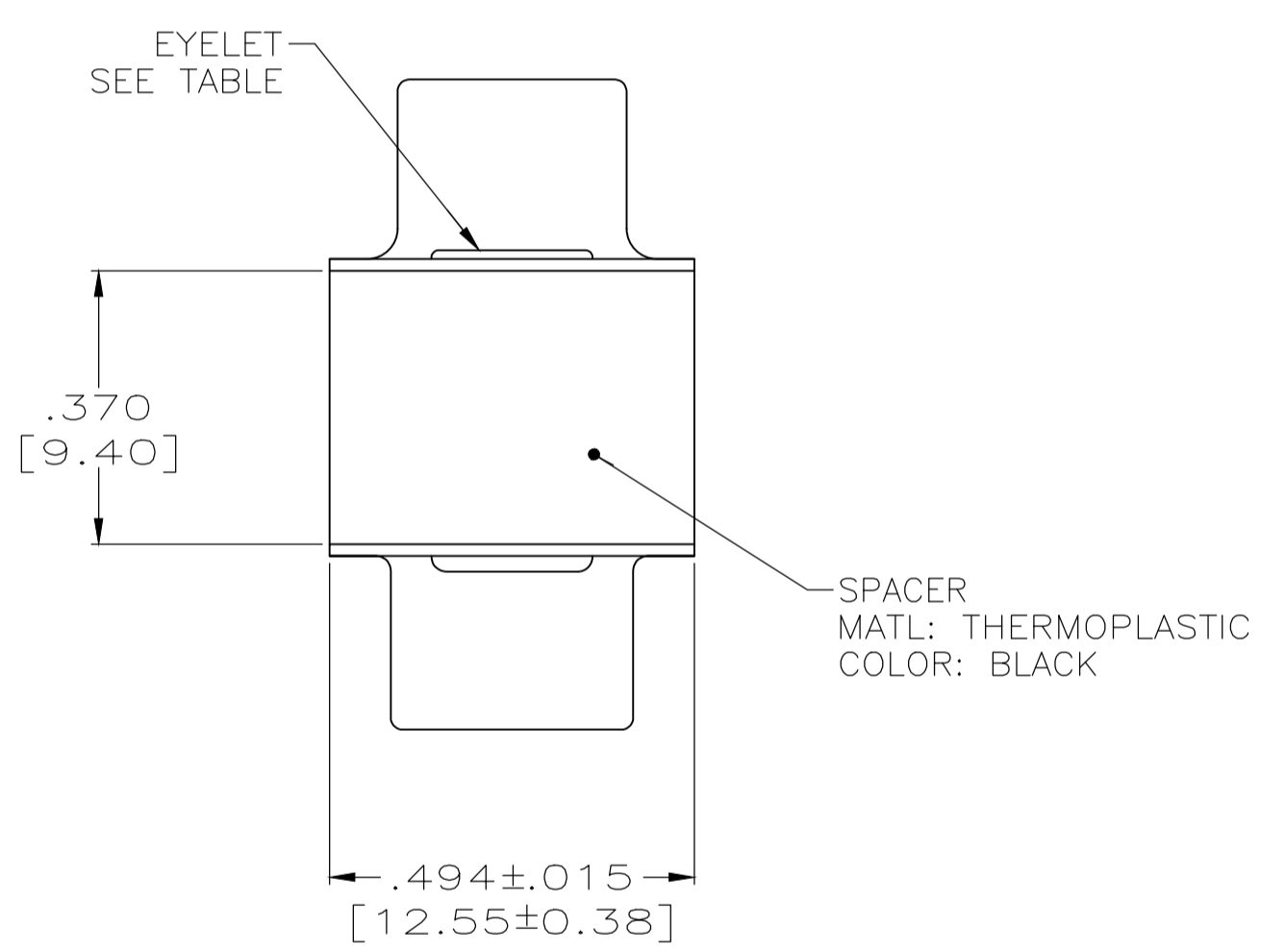
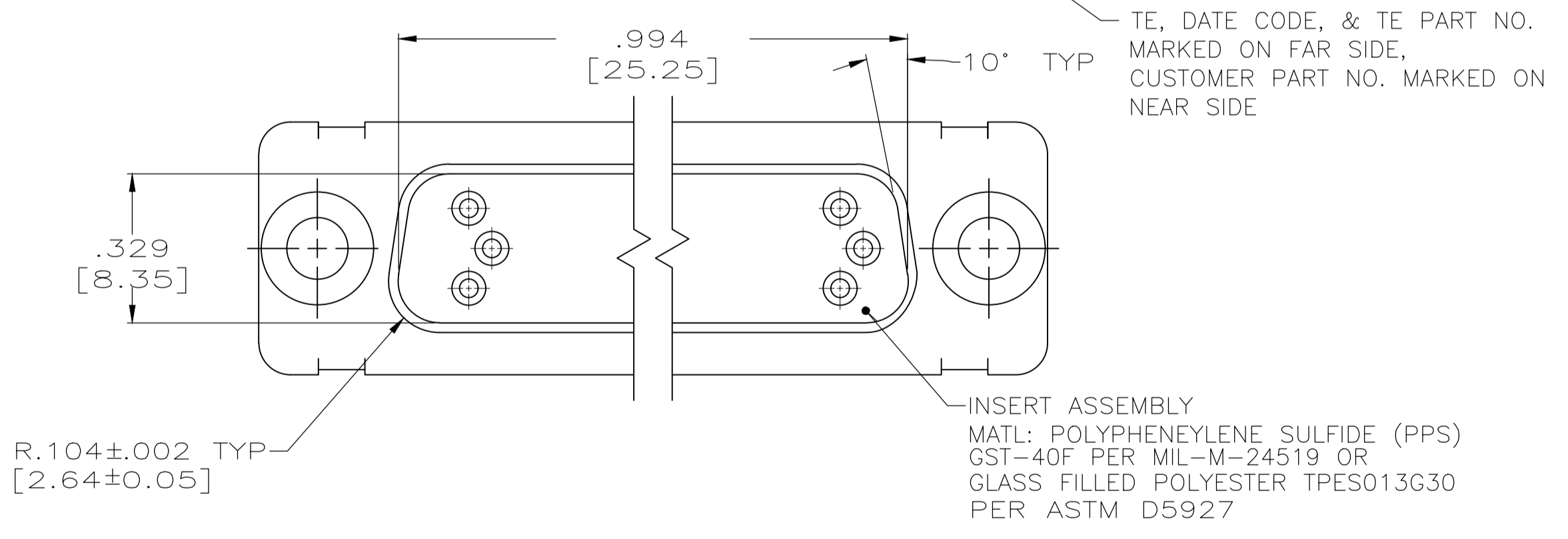
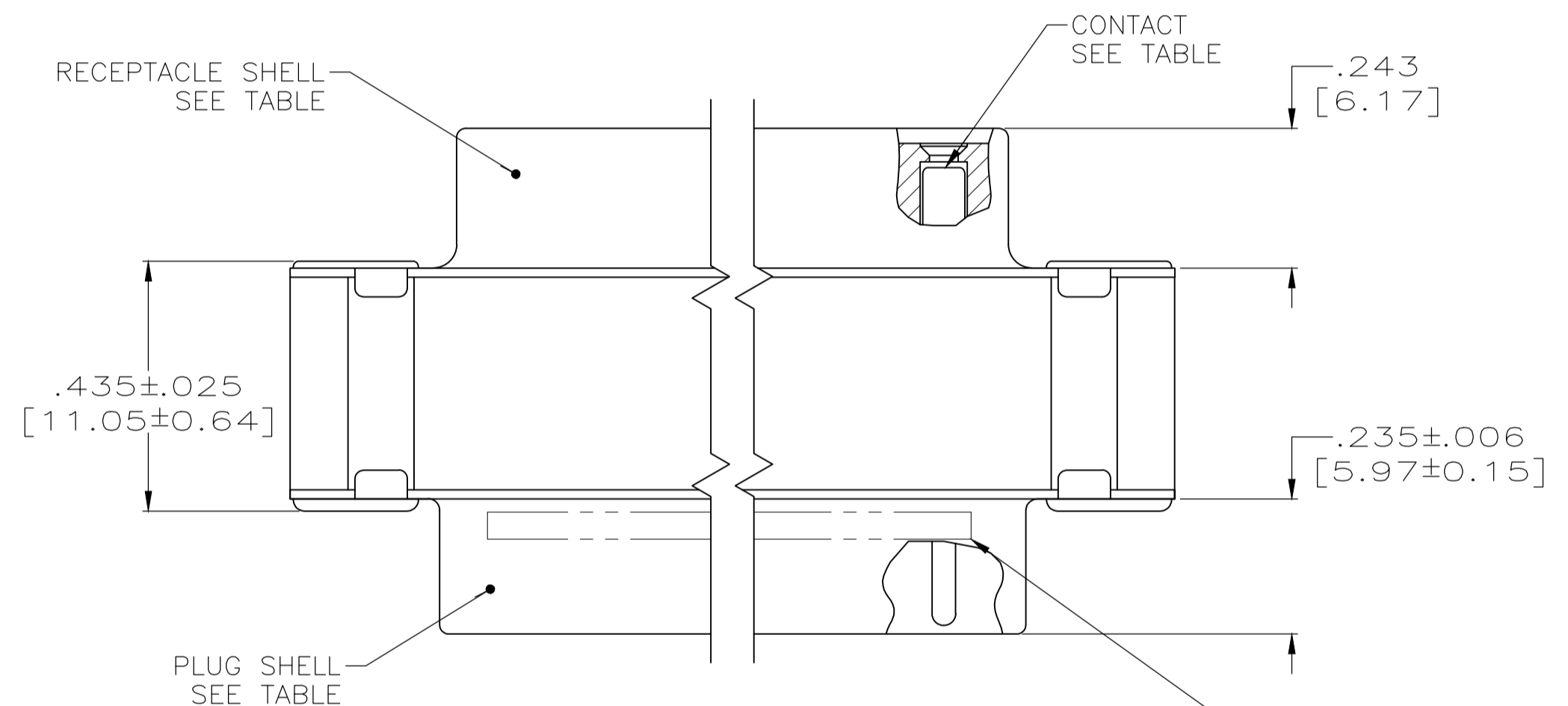
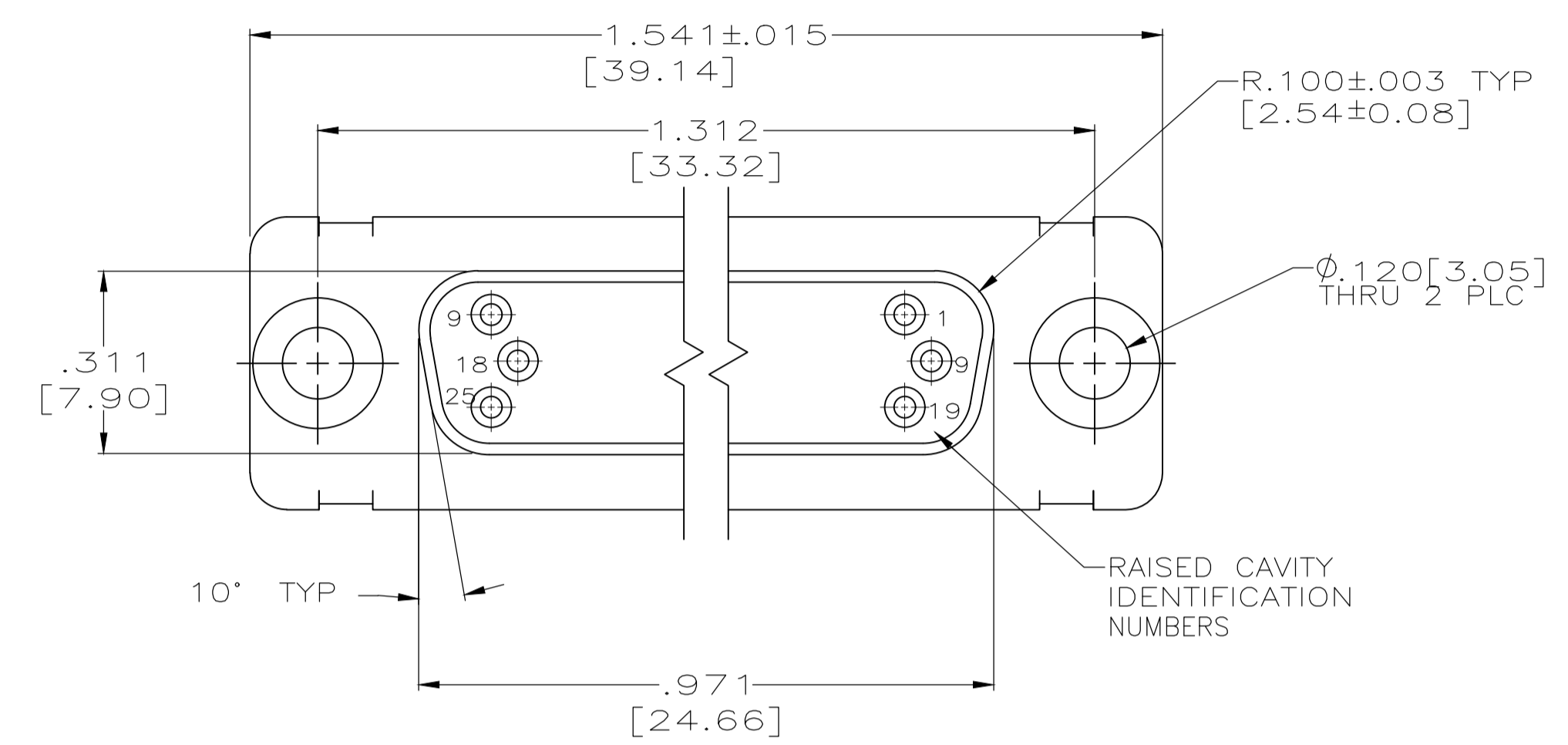
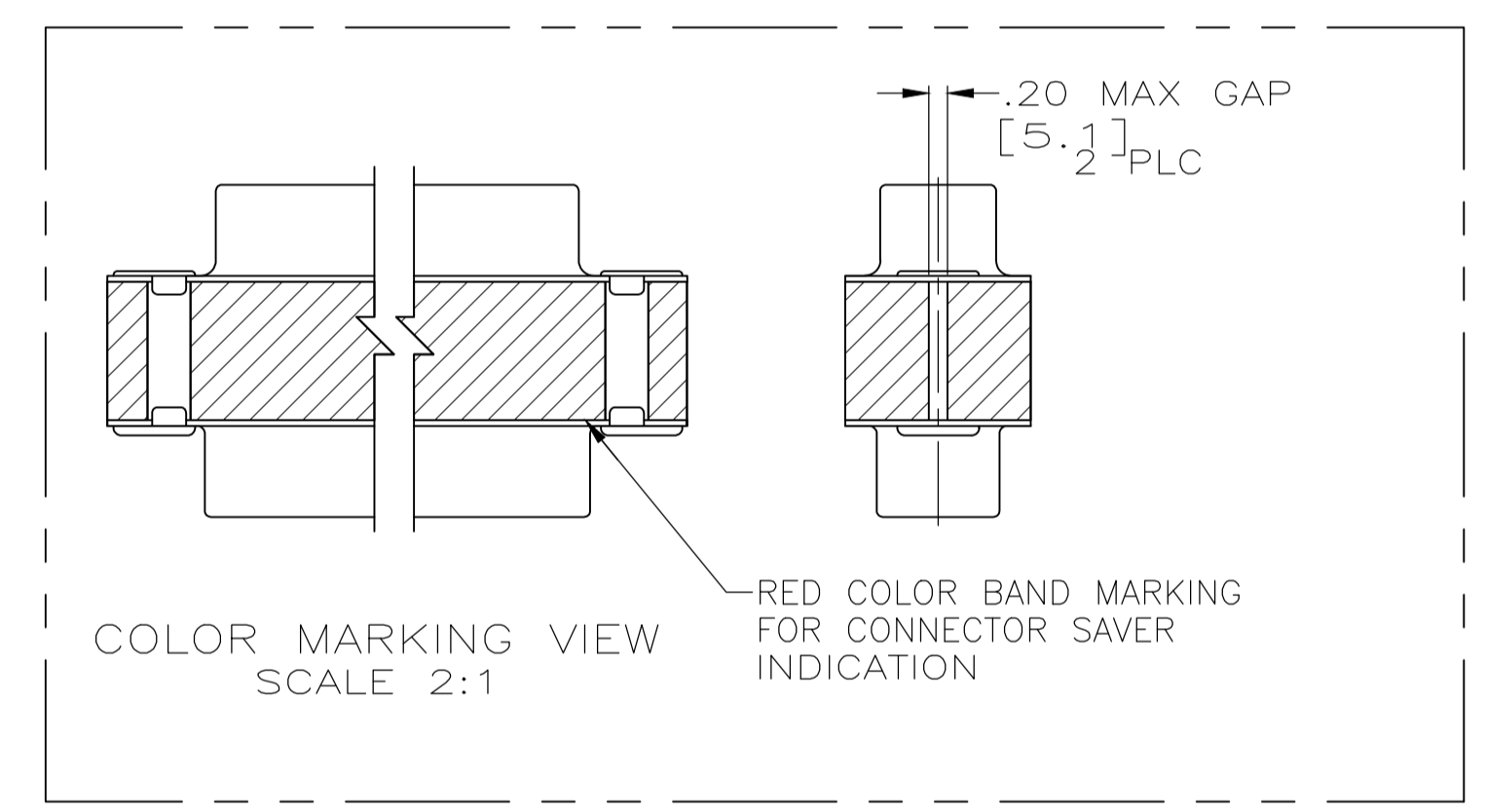


REVISIONS					
P	LTR	DESCRIPTION	DATE	DMN	APVD
F	REV PER ECO	19-019228	4-16-20	CT	DM



- 1. CONTACTS INCLUDED IN ASSEMBLY.
- CONTACT
- BODY MATL: BERYLLIUM COPPER PER ASTM-B-197.
- BODY FINISH: PLATED GOLD, .000050 MIN THK PER MIL-G-45204 OVER NICKEL, .000050 MIN THK PER QQ-N-290.
- HOOD MATL: STAINLESS STEEL PER ASTM-A-167.
- HOOD FINISH: PASSIVATED PER ASTM-A-380
- MATL: BRASS PER ASTM-B-36.
- FINISH: PLATED GOLD, .000050 MIN THK PER MIL-G-45204 OVER COPPER, .000100 MIN THK PER MIL-C-14550.



△4	△4	△2	4U884 SOCN R10002677-0007	1218309-2
△4	△4	△2	(1J02-007)	1218309-1
EYELET	SHELLS	CONTACT	CUSTOMER P/N	PART NO.
THIS DRAWING IS A CONTROLLED DOCUMENT.		DIN T. THOMPSON 19AUG98	TE Connectivity AMPLITE CONNECTOR SAVER SERIES 90, SIZE 2, 26 POS NON-REMOVABLE CONTACTS	
DIMENSIONS: INCHES	TOLERANCES UNLESS OTHERWISE SPECIFIED:	CHK J. NORTON 19AUG98		
0 PLC ± - 1 PLC ± - 2 PLC ± - 3 PLC ± .005(0.13) 4 PLC ± - ANGLES ± -	APPLICATION SPEC WEIGHT 0.000000 CUSTOMER DRAWING	APVD J. NORTON 19AUG98 NAME SIZE CAGE CODE DRAWING NO A1 00779 C=1218309	RESTRICTED TO	SCALE 4:1 SHEET 1 OF 1 REV F