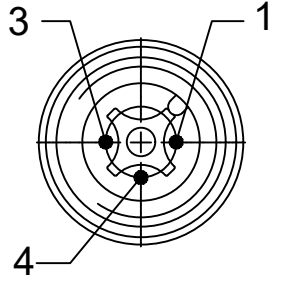


**MALE FACE VIEW
3-POLE**

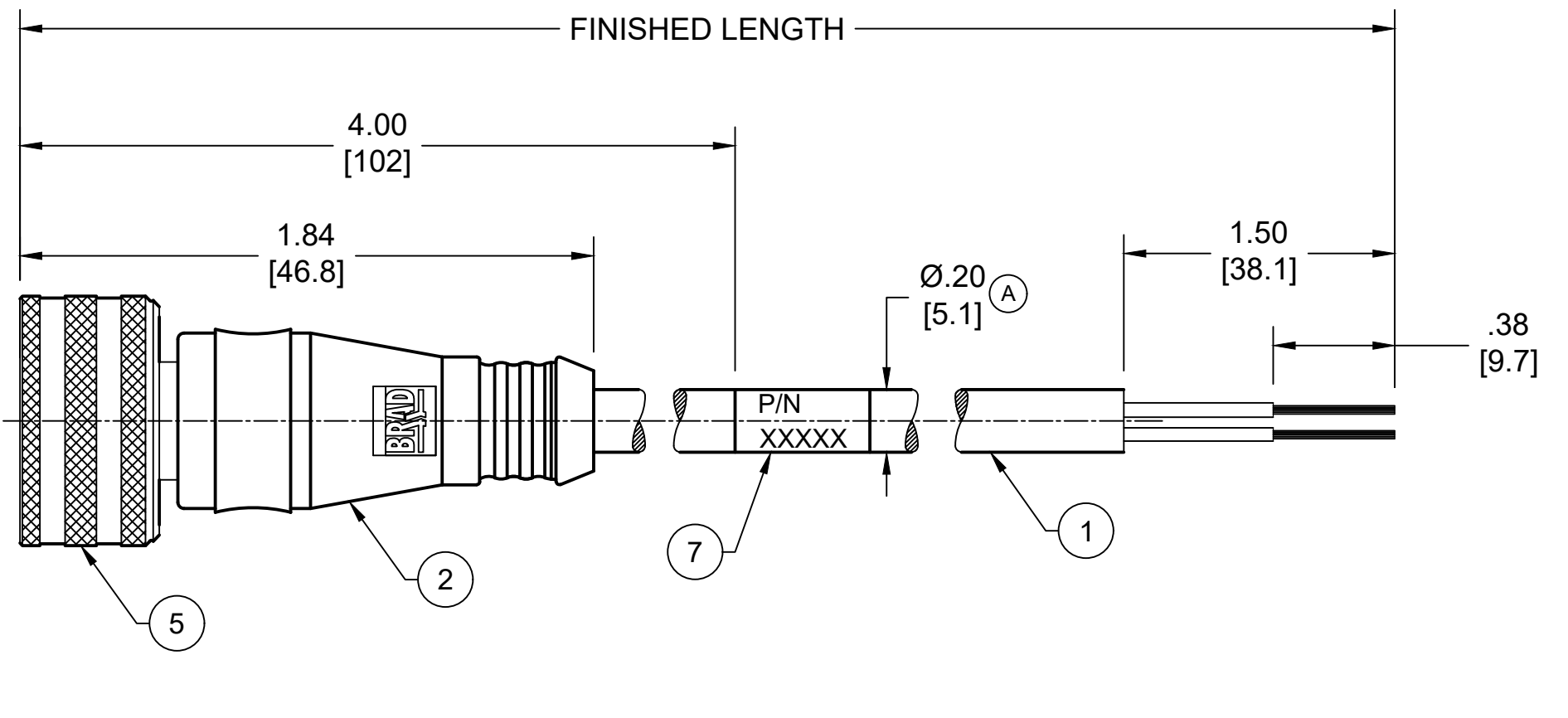
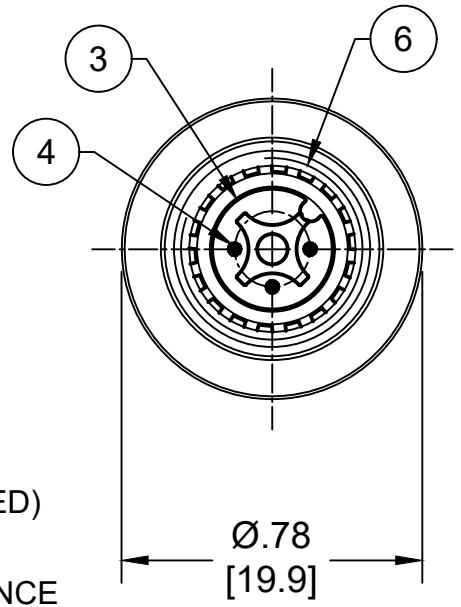


WIRING DIAGRAM

1 BROWN
3 BLUE
4 BLACK

NOTES:

1. MATERIAL: AS NOTED
2. FINISH: AS NOTED
3. ELECTRICAL:
VOLTAGE: 250V
CURRENT: 4A
4. TEMP RATING: -20°TO +105°C (A)
5. PROTECTION: IP67/69K (WHEN MATED)
6. CSA CERTIFIED FILE: LR6837 (A)
7. ALL DIMENSIONS ARE FOR REFERENCE UNLESS TOLERANCED OR NOTED OTHERWISE



| PART NO | ENGINEERING NO. | FINISHED LENGTH |
|------------|-----------------|------------------|
| 1200790121 | W03006K05M010 | 1M [3FT 3 IN] |
| 1200790153 | W03006K05M050 | 5M [16FT 5 IN] |
| 1200790151 | W03006K05M100 | 10M [32FT 10 IN] |

CABLE FLEX CHARACTERISTICS (A)

| | |
|----------------------|------------------------------------|
| TORSIONAL FLEX TEST | 10 MILLION CYCLES PER MIL-C-13777G |
| BEND FLEX TEST | 10 MILLION CYCLES PER MIL-C-13777G |
| WELD SLAG RESISTANCE | WOODHEAD STANDARD S-300 |

**(A) PART NUMBER LEGEND
W03006K05M010**

FINISHED LENGTH
M005 = 0.5 METER
M010 = 1 METER
M100 = 10 METER

(A) CABLE LENGTH TOLERANCES

| | |
|--------------------------|-------------------------|
| <.3M [1FT]: | +19mm-0 [+ .75in-0] |
| .3 - .9M [1 - 3FT]: | +44.5mm-0 [+1.75in-0] |
| .9 - 1.8M [3 - 6FT]: | +55.6mm-0 [+2.19in-0] |
| 1.8 - 3.7M [6 - 12FT]: | +88.9mm-0 [+3.50in-0] |
| 3.7 - 7.3M [12 - 24FT]: | +165.1mm-0 [+6.50in-0] |
| 7.3-14.6M [24 - 48FT]: | +317.5mm-0 [+12.50in-0] |
| 14.6 - 30.5M [48-100FT]: | +622.3mm-0 [+24.50in-0] |
| OVER 30M [100FT] | +2% OF FINISHED LENGTH |

| ITEM | DESCRIPTION | MATERIAL | FINISH |
|------|---------------|--------------|----------------------|
| 7 | WRAP LABEL | VINYL | BLACK/YELLOW (A) |
| 6 | O-RING | VITON | GREEN (A) |
| 5 | COUPLER | BRASS | NICKEL PLATED (A) |
| 4 | CONTACT PIN | COPPER ALLOY | GOLD OVER NICKEL (A) |
| 3 | MALE INSERT | PUR | BLACK (A) |
| 2 | OVERMOLD | TPC | YELLOW (A) |
| 1 | #22 AWG CABLE | TPE JACKET | YELLOW (A) |

| | | | | | | |
|--|---|--|--|--|---|--|
| FUNCTIONAL SYMBOLS DIMENSION UNITS: INCH/MM SCALE: NTS GENERAL TOLERANCES (UNLESS SPECIFIED): 4 PLACES ±--- ±--- 3 PLACES ±--- ±--- 2 PLACES ±--- ±--- 1 PLACE ±--- ±--- 0 PLACES ±--- ±--- DIVISIONAL SYMBOLS: ANGULAR TOL ± --- ° DRAFT WHERE APPLICABLE MUST REMAIN WITHIN DIMENSIONS | THIS DRAWING CONTAINS INFORMATION THAT IS PROPRIETARY TO MOLEX ELECTRONIC TECHNOLOGIES, LLC AND SHOULD NOT BE USED WITHOUT WRITTEN PERMISSION | | CURRENT REV DESC: ITEM #2 WAS TPE, #3 WAS NYLON & #7 WAS MYLAR. REMOVED UL CABLE SPEC, ADDED CSA, CABLE DIA, PN MATRIX & TOL CHART. MODIFIED PN TABLE. | | | |
| | EC NO: 702709 DRWN: ABENJAMINLW 2021/07/27 CHK'D: RSTONE 2022/04/11 APPR: BWOODMAN 2022/04/16 | | MICRO-CHANGE ULTRA LOCK, M12 3-POLE, MALE, STRAIGHT, SINGLE KEY, #22 AWG TPE HI-FLEX | | | |
| | INITIAL REVISION: DRWN: LSTEMMLE 2010/02/12 APPR: FPACHER 2010/02/15 | | PRODUCT CUSTOMER DRAWING | | DOCUMENT NUMBER: SD-120079-030 DOC TYPE: PSD DOC PART: 001 REVISION: A | |
| | THIRD ANGLE PROJECTION | | DRAWING: A3-SIZE SERIES: 120079 | | MATERIAL NUMBER: SEE CHART CUSTOMER: GENERAL MARKET SHEET NUMBER: 1 OF 1 | |