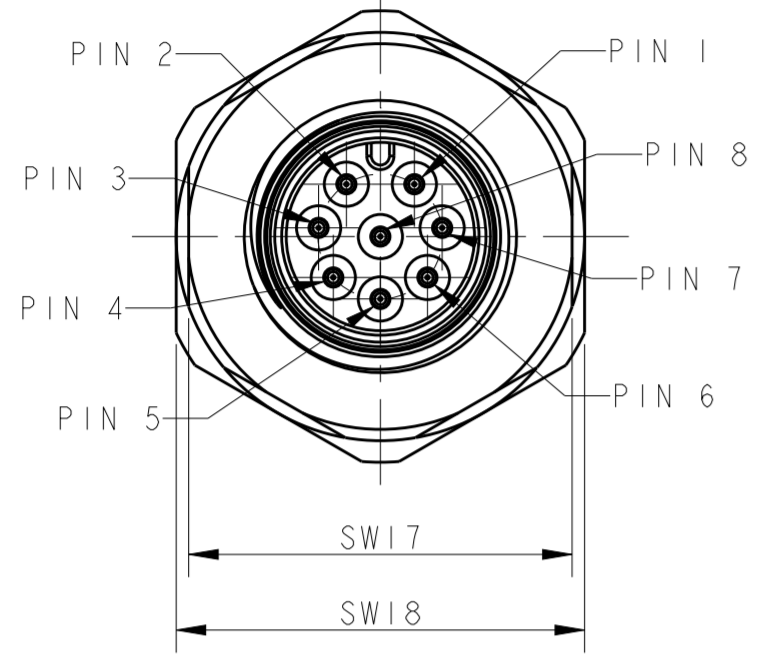
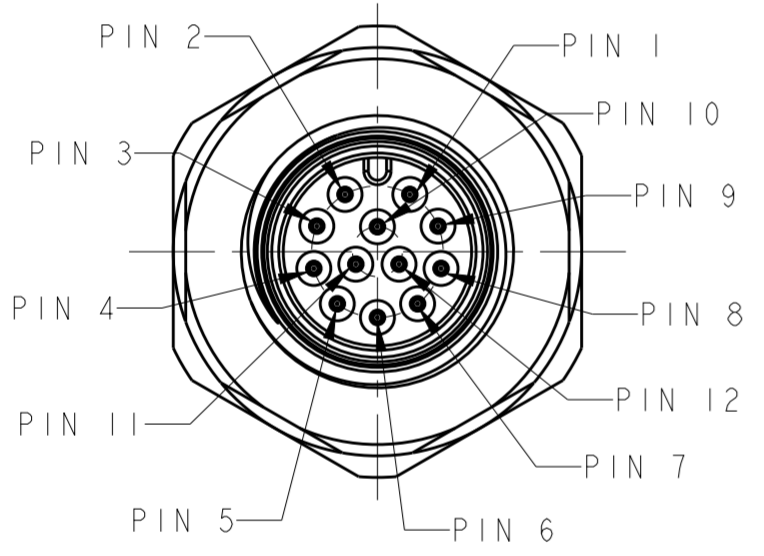


THIS DRAWING IS UNPUBLISHED. RELEASED FOR PUBLICATION  
 © COPYRIGHT copyright.d8Te- ALL RIGHTS RESERVED.

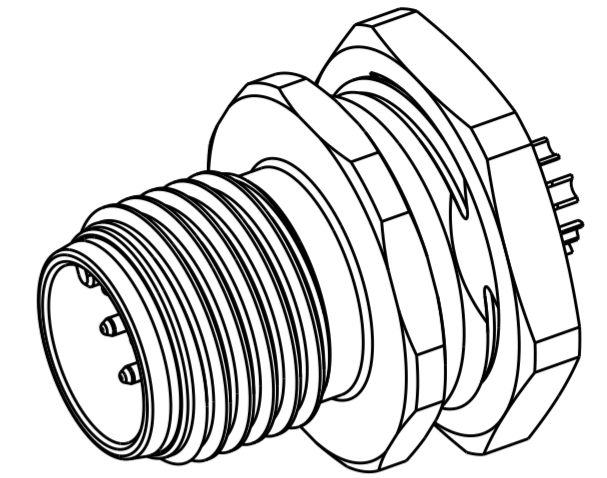
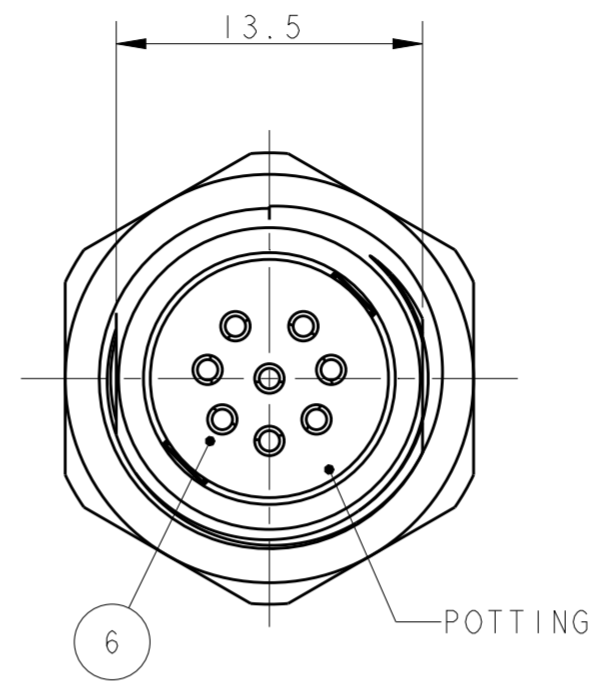
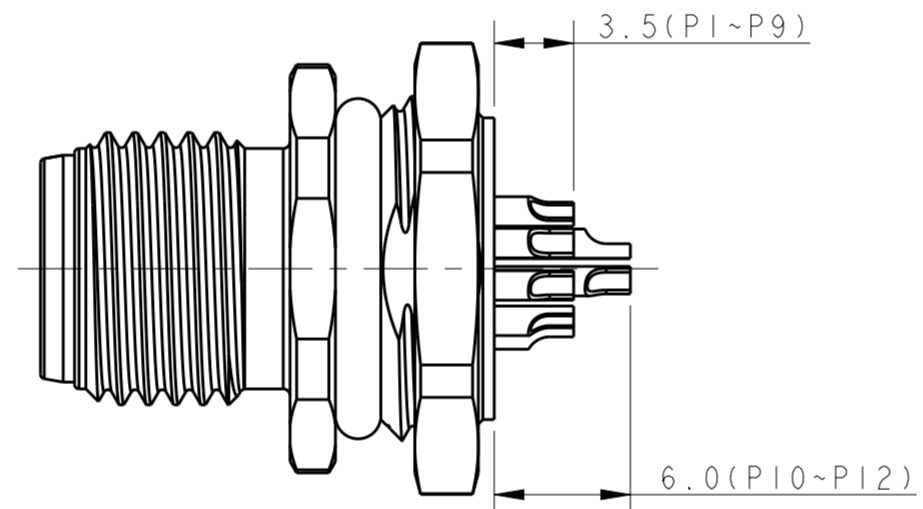
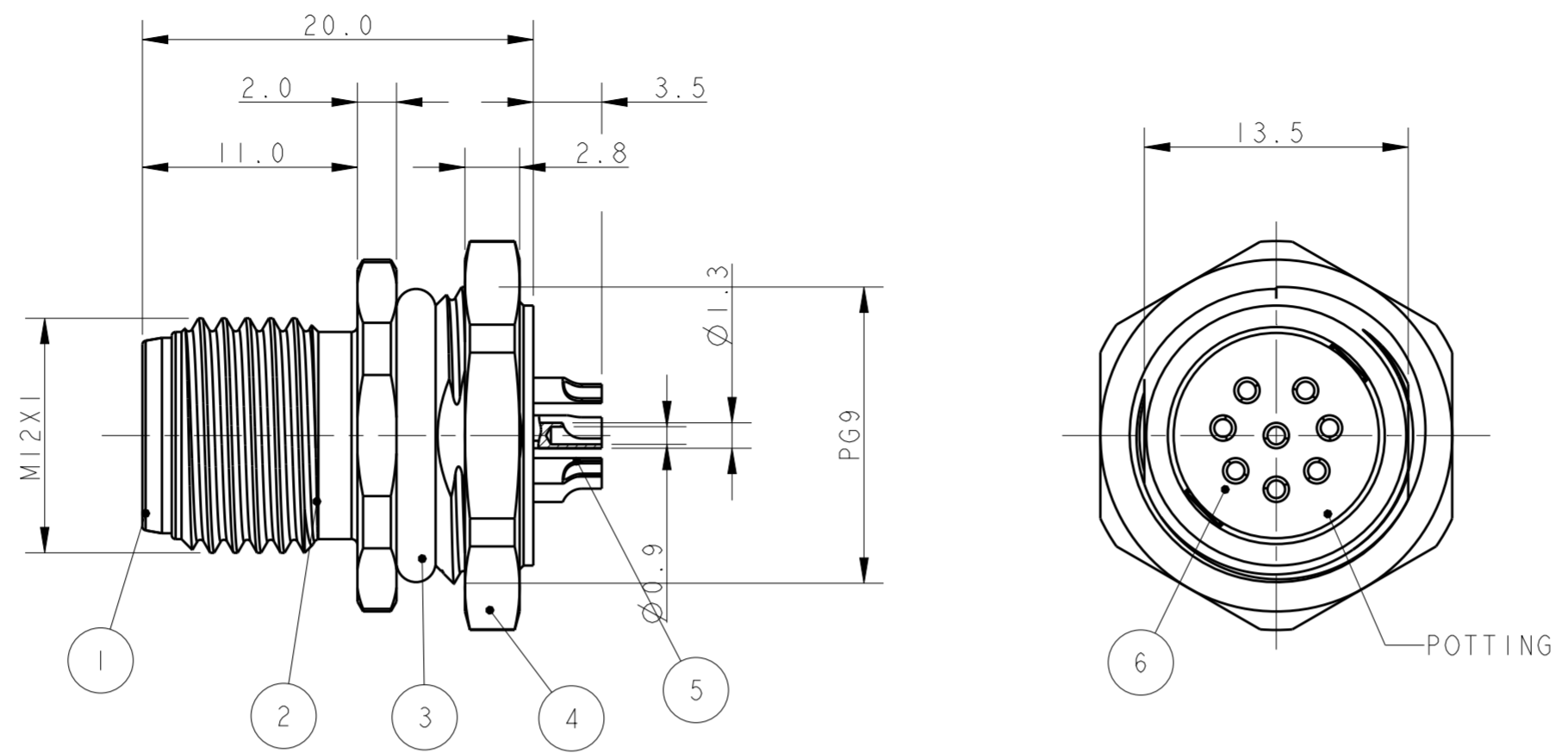
| REVISIONS |     |                 |           |     |      |
|-----------|-----|-----------------|-----------|-----|------|
| P         | LTR | DESCRIPTION     | DATE      | DWN | APVD |
| A         |     | INITIAL RELEASE | 03JAN2018 | G.W | C.W  |
| AI        |     | ECR-18-003481   | 08MAR2018 | G.W | C.W  |
| B         |     | ECR-19-009136   | 12JUL2019 | C.D | C.W  |



M12, MALE, 8POLES



M12, MALE, 12POLES

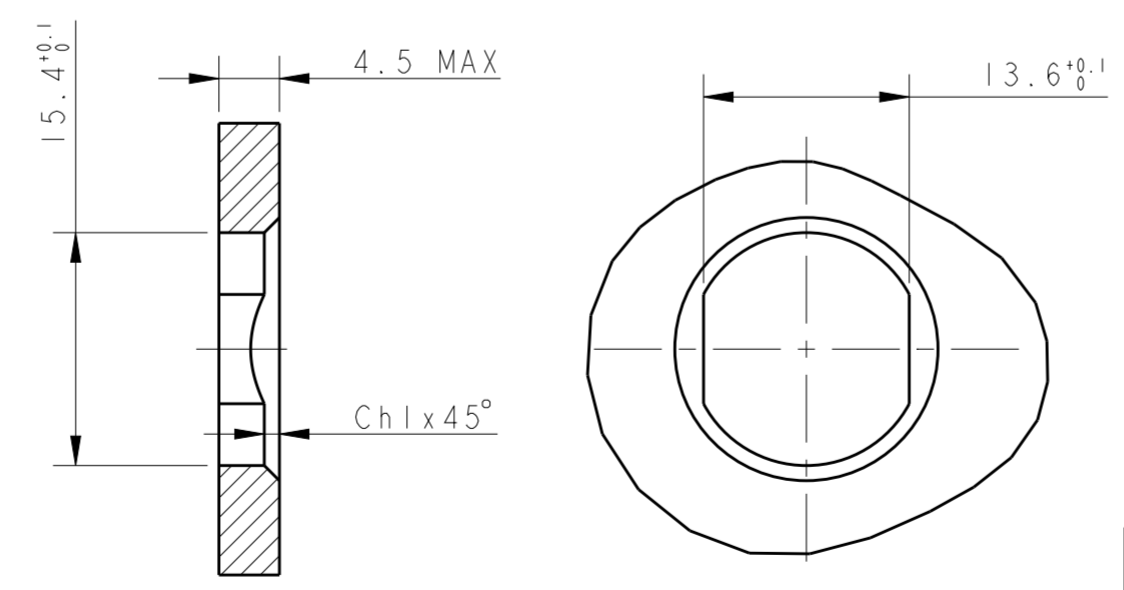


- NOTE:
1. TECHNICAL DATA: SEE TABLE 1
  2. RECOMMENDED MOUNT PANEL SEE DETAIL
  3. PACKAGING: 1 PIECE IN A BAG
  4. ALL DIMENSIONS ARE FOR NOMINAL REFERENCE ONLY UNLESS OTHERWISE STATED

- 注释:
1. 技术参数, 见表 1
  2. 推荐开孔尺寸详见如图所示
  3. 包装: 1PCS/袋
  4. 所有尺寸仅供参考, 除非另有说明

TABLE 1

| TECHNICAL DATA        | T4132012081-000 | T4132012121-000 |
|-----------------------|-----------------|-----------------|
| RATED VOLTAGE         | 30V             | 30              |
| RATED CURRENT         | 2A              | 1.5A            |
| POLLUTION DEGREE      | 3               | 3               |
| OVERVOLTAGE CATEGORY  | II              | II              |
| MATERIAL GROUP        | II              | II              |
| DEGREE OF PROTECTION  | IP67            | IP67            |
| OPERATION TEMPERATURE | -40~85°C        | -40~85°C        |



RECOMMENDED PANEL CUTOUT

| T4132012121-000 | RPC-M12-MB-12CON-PG9-LAU | 12   |
|-----------------|--------------------------|------|
| T4132012081-000 | RPC-M12-MB-8CON-PG9-LAU  | 8    |
| PART NUMBER     | TYPE                     | POS. |

| OTHERS        | MATERIAL     | DESCRIPTION           | ITEM |
|---------------|--------------|-----------------------|------|
| -             | EPOXY RESIN  | POTTING ADHESIVE      | 6    |
| GOLD PLATED   | COPPER ALLOY | CONTACT               | 5    |
| NICKEL PLATED | COPPER ALLOY | METAL NUT             | 4    |
| BLACK         | NUBBER       | O-RING                | 3    |
| NICKEL PLATED | COPPER ALLOY | M12, MALE, METAL BODY | 2    |
| -             | PA66         | M12, MALE HSG         | 1    |

THIS DRAWING IS A CONTROLLED DOCUMENT.

DWN: 03JAN2018 Gavin Wang  
 CHK: 03JAN2018 Kevin Huang  
 APVD: 03JAN2018 Chris Wang

STE TE Connectivity

NAME: M12 PANEL MOUNT CONNECTOR  
 A CODE, MALE, FRONT MOUNT  
 WIRE SOLDERING

PRODUCT SPEC: 108-106140  
 APPLICATION SPEC: 114-137144

SIZE: A2 CAGE CODE: - DRAWING NO: T4132012081000 RESTRICTED TO: -  
 WEIGHT: -  
 CUSTOMER DRAWING SCALE: 2:1 SHEET: 1 OF 1 REV: B