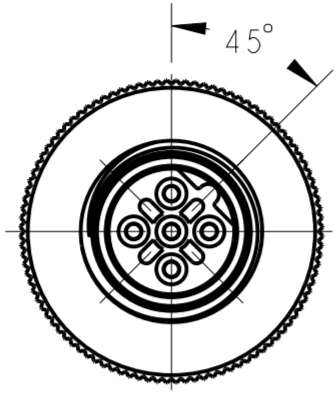
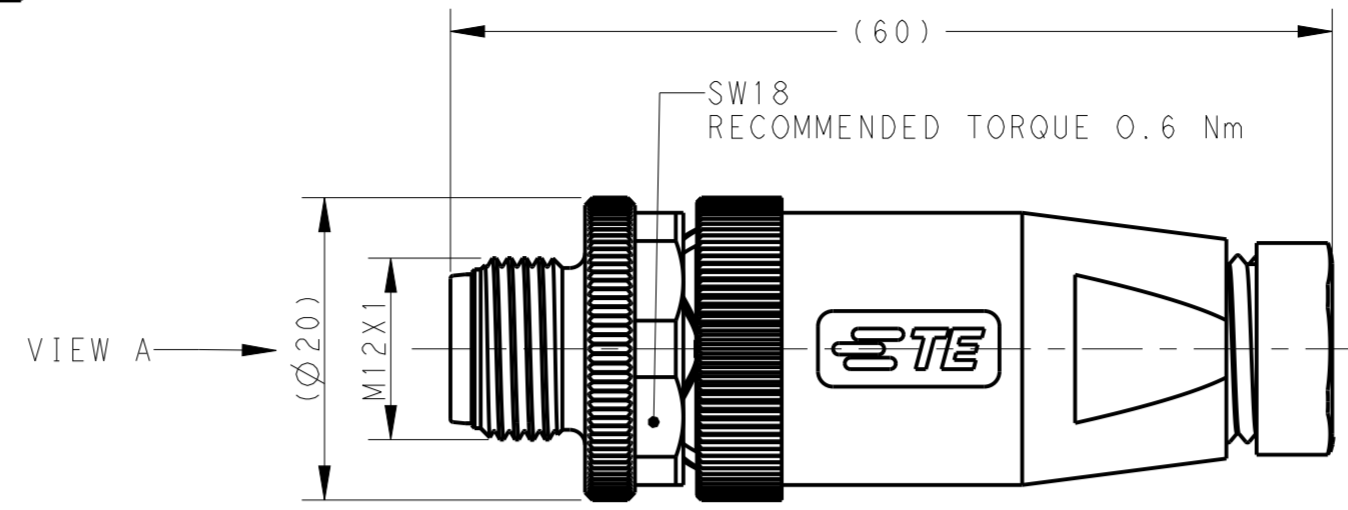


THIS DRAWING IS UNPUBLISHED. RELEASED FOR PUBLICATION 20  
 © COPYRIGHT 20 BY - ALL RIGHTS RESERVED.

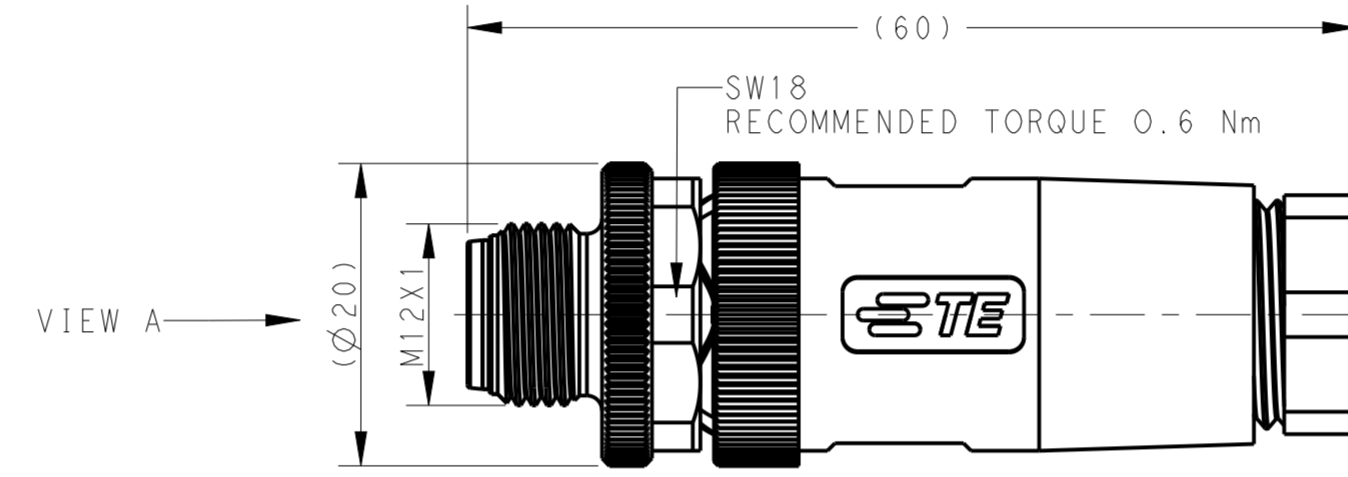
REVISIONS				
P	LTR	DESCRIPTION	DATE	APVD
A		INITIAL RELEASE	24JUL2015	NP XX
A1		ECR-15-012625	01SEP2015	NP XX
A2		ECR-15-018715 ADD 114 SPEC.	29DEC2015	NP XX
A3		ECR-20-012708 ADD PG9 MODEL	16SEP2020	S.C C.W



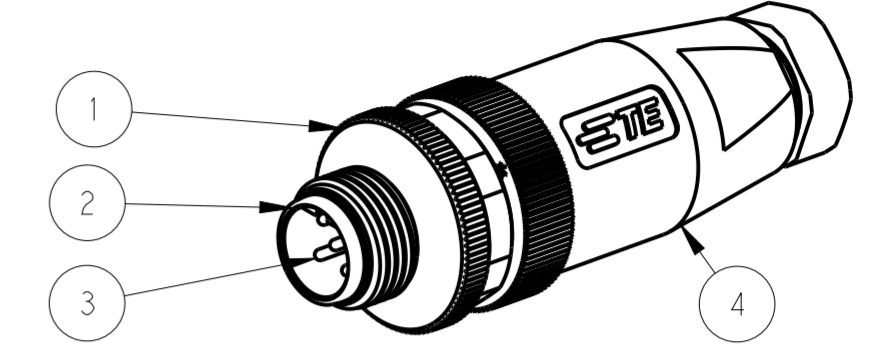
VIEW A  
DETAIL SEE TABLE 1



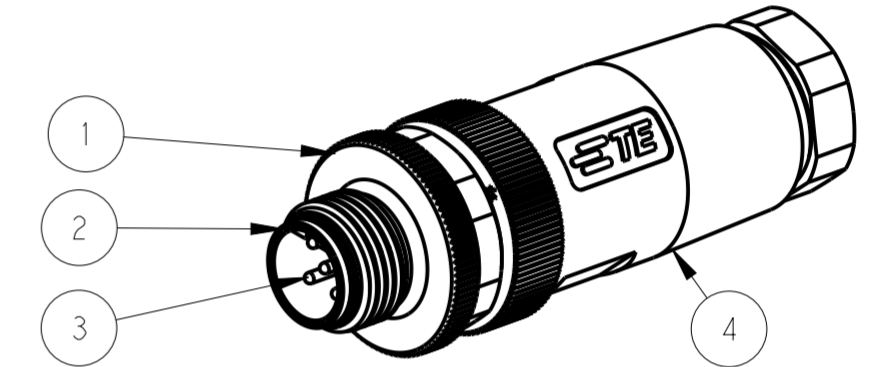
PG7  
SCALE 2:1



PG9  
SCALE 2:1



PG7  
SCALE 3:2



PG9  
SCALE 3:2

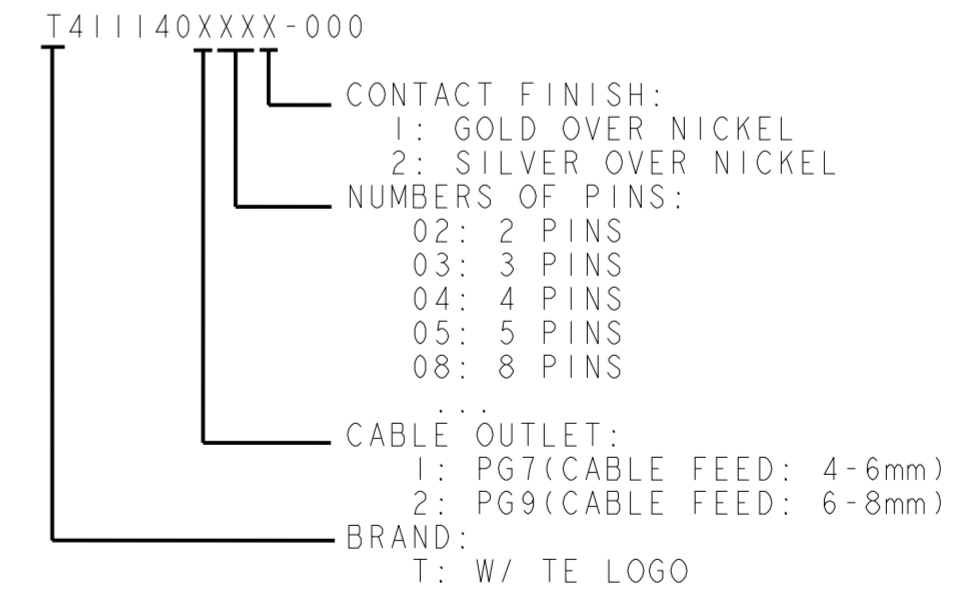
TECHNICAL DATA	T411140X02X-000	T411140X03X-000	T411140X04X-000	T411140X05X-000	T411140X08X-000
RATED VOLTAGE	250V	250V	250V	60V	30V
RATED CURRENT	4A	4A	4A	4A	2A
POLLUTION DEGREE	3	3	3	3	3
OVERVOLTAGE CATEGORY	II	II	II	II	II
MATERIAL GROUP	II	II	II	II	II
CONTACT RESISTANCE	≤8mΩ	≤8mΩ	≤8mΩ	≤8mΩ	≤8mΩ
INSULATION RESISTANCE	>100MΩ	>100MΩ	>100MΩ	>100MΩ	>100MΩ
DEGREE OF PROTECTION	IP67	IP67	IP67	IP67	IP67
OPERATION TEMPERATURE	-40~85°C	-40~85°C	-40~85°C	-40~85°C	-40~85°C

TABLE 1 PIN ARRANGEMENT B-CODE

T411140X02X-000	T411140X03X-000	T411140X04X-000
T411140X05X-000		

T4111402051-000	RPC-M12B-MS-5CON-PG9-MU
T4111401051-000	RPC-M12B-MS-5CON-PG7-MU
T4111402052-000	RPC-M12B-MS-5CON-PG9-M
T4111401052-000	RPC-M12B-MS-5CON-PG7-M
T4111402041-000	RPC-M12B-MS-4CON-PG9-MU
T4111401041-000	RPC-M12B-MS-4CON-PG7-MU
T4111402042-000	RPC-M12B-MS-4CON-PG9-M
T4111401042-000	RPC-M12B-MS-4CON-PG7-M
T4111402031-000	RPC-M12B-MS-3CON-PG9-MU
T4111401031-000	RPC-M12B-MS-3CON-PG7-MU
T4111402032-000	RPC-M12B-MS-3CON-PG9-M
T4111401032-000	RPC-M12B-MS-3CON-PG7-M
T4111402021-000	RPC-M12B-MS-2CON-PG9-MU
T4111401021-000	RPC-M12B-MS-2CON-PG7-MU
T4111402022-000	RPC-M12B-MS-2CON-PG9-M
T4111401022-000	RPC-M12B-MS-2CON-PG7-M
TE PN	TYPE

- NOTE:
- MATERIAL:  
 ITEM NO.1:NUT -BRASS  
 ITEM NO.2:HOUSING -PA  
 ITEM NO.3:CONTACT -BRASS  
 ITEM NO.4: HOUSING BODY: -PBT+GF
  - CONTACT FINISH:  
 GOLD OVER NICKEL OR SILVER OVER NICKEL
  - CABLE WIRES:  
 18AWG/0.75mm<sup>2</sup> Max. FOR 2-5 PINS
  - ALLDIMENSIONS ARE FOR NOMINAL REFERENCE ONLY UNLESS OTHERWISE STATED
  - PACKAGING: 1PIECE IN A BAG
  - PN INFORMATION



THIS DRAWING IS A CONTROLLED DOCUMENT.		DWN HAO WANG 08DEC2014	TE Connectivity	
DIMENSIONS: mm		CHK KOBBY ZHAO 08DEC2014		
TOLERANCES UNLESS OTHERWISE SPECIFIED: 0 PLC ±0.2 1 PLC ±0.2 2 PLC ±0.2 3 PLC ± 4 PLC ± ANGLES ±		APVD XIANG XU 08DEC2014	NAME M12 MALE, B CODE, STRAIGHT UNSHIELDED CONNECTOR SCREW TERMINAL	
MATERIAL -		PRODUCT SPEC 108-106140	SIZE A2	CAGE CODE -
-		APPLICATION SPEC 114-137144	DRAWING NO G-T411140XXXX000	RESTRICTED TO -
-		WEIGHT -	SCALE 1:1	SHEET 1 OF 1
-		RESTRICTED CUSTOMER	REV A3	