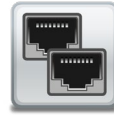
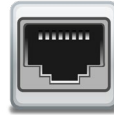


SW-504 Industrial 4 Port Ethernet Switch 10/100

4 Port Unmanaged Ethernet Switch DIN Mountable

- 4 Port 10/100 Mbs Ethernet Switch
- Redundant dual power inputs: +5V to +30V DC
- Compact design with integral DIN mount
- No software required - Simply plug in and connect
- Industrial temperature range



+5 to +30 Volt Power Input enables the device to be run from a standard car battery - ideal for in vehicle applications



Non conducting polyamide casing with removable numbered power terminal for easy wiring



Integral DIN mount and slim design takes up minimal cabinet space



Complies with
UL62368-1
CSA C22.2
E112324 No. 62368-1

SW-504

Industrial 4 Port Ethernet Switch 10/100

No software needed: Simply plug in any ethernet cable

-40°C to +80°C/-40°F to +176°F temperature range

All Ethernet ports are Auto MDI/MDIX supporting straight through or crossover Ethernet cables

Non-conducting polyamide case

Integral DIN mount with ground

Power consumption is optimised based on the status of the link device

Automatic detection of data transmission speed: 10 or 100 MBps
 2k Byte maximum packet size – improves the efficiency of bulk data transfer and system performance



Dual redundant power input: +5VDC to +30VDC

Broadcast Storm protection

Easy Wire Removable screw terminal block

Connectors

Screw Terminals	3.5mm pitch, #22 - #14, 0.5mm ² -2.5mm ² pin power supply
Wire Thickness	0.150 inch, 3.81mm, 20 pins, 12+8 screw terminals, #26 - #16 AWG, 0.14mm ² -1.3mm ²

Power Supply

Power Consumption	1.1 Watts Max : 220 mAmps@+5VDC/36mAmps@+30VDC
Power Supply input	Unregulated +5V to +30Volts DC, reverse polarity protection
Isolation	1500VRMS Magnetic isolation from Ethernet

Environmental

Operating Temperature	-40°C to +80°C/-40°F to +176°F
Storage Temperature	-40°C to +80°C/-40°F to +176°F
Ambient Relative Humidity	5 to 95% (non-condensing)

Magjack LED Information

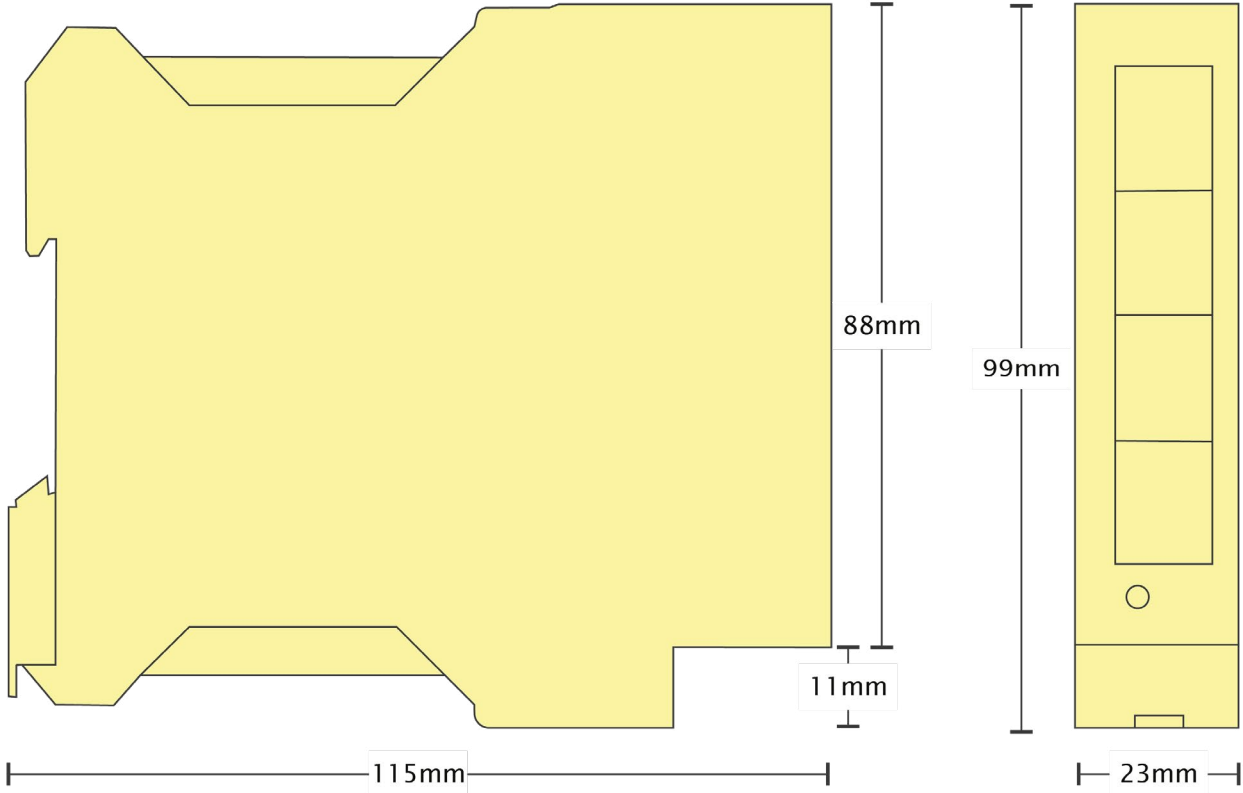
Link/Activity LED	Solid green	Connection established
	Flashing Green	Data communication

Ethernet

Ethernet Port	4 x RJ45 jack, 10/100Mhz autosensing, crossover auto sensing (Auto MDIX)
Protection	1,500 Volts magnetic isolation between ports
Housing	IP-20 rated non-conducting polyamide case

SW-504

Industrial 4 Port Ethernet Switch 10/100



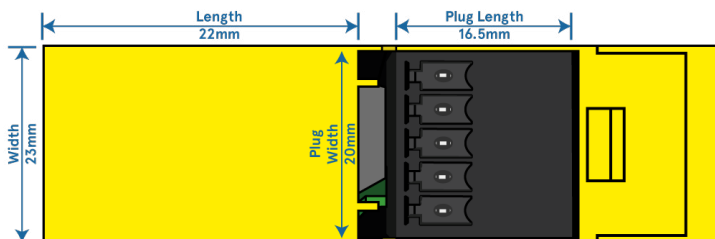
Power Terminal Pin Outs

PIN	FUNCTION
1	-V
2	+VA
3	+VB
4	-V
5	Functional Earth

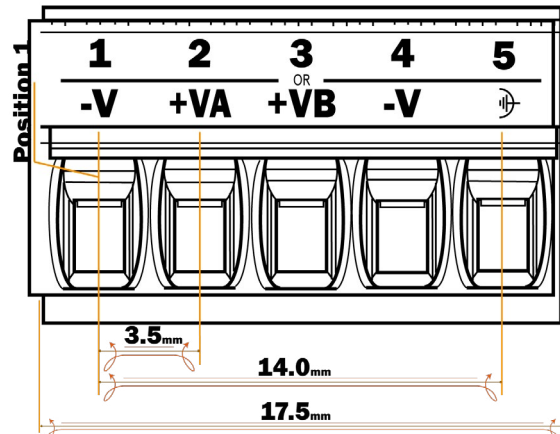
Ethernet Ports x4 Pin Outs

PIN	FUNCTION
1	RD+ / TD+
2	RD- / TD-
3	TD+ / RD+
4	NC
5	NC
6	TD- / RD-
7	NC
8	NC

5 position 3.5mm pitch socket compatible with Euroblock pluggable terminal block connectors



5 position 3.5mm pitch pluggable terminal block included



Lifetime Warranty and Support:

We can help with every aspect of your project, from getting you up and running to custom application.

SW-504

Industrial 4 Port Ethernet Switch 10/100

Packaging Information

Packaging	Quick Start Guide
Device	Ethernet Switch 4 port
Packaged Weight	0.207 kg, 7.30 ounces
Packaged Dims	160x135x49 mm, 6.3x5.3x1.9 inches
GTIN Universal Code	837324009873

Approvals

Industry Approvals	Microsoft Certified Gold Partner, WEEE, RoHS, AEO (C-TPAT), CE, UKCA, METL Complies with UL62368-1
--------------------	--

Product Support

Warranty	Lifetime - online registration required
Support	Lifetime Web, Email and Phone Support from fully qualified, friendly staff who work in and alongside the Product Development Team

Additional Information

OEM option	Available for bulk buy OEM
Made In	Manufactured in the UK by Brainboxes Winner 2005 European Electronics Industry Awards 'Manufacturer of the Year'
Customisable	Brainboxes operate a 'Perfect Fit Custom Design' policy for volume users. More info:sales@brainboxes.com



PW-600

Power supply with connectors for UK, USA, EU and AUS mains socket. 'Tails' are suitable for connecting to screw terminal blocks.



PW-650

Power supply with USB connector and prewired screw terminal block. Suitable for use with 5V USB ports.



SW Range

Switch products available in a range of formats and specifications.

www.brainboxes.com