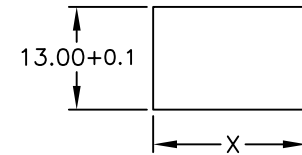
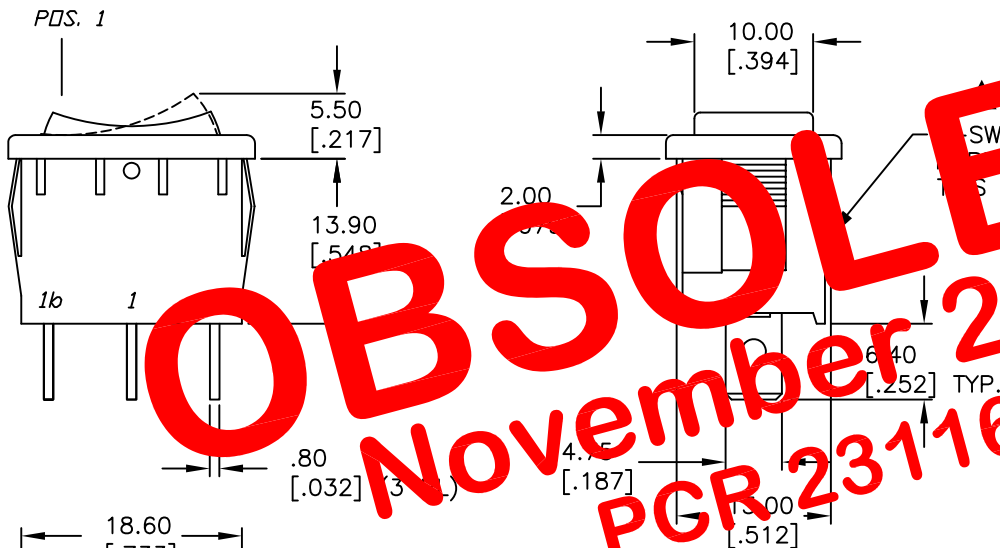


PANEL THICKNESS		X dimension	
0.75-1.25	[.030-.049]	19.2-0.1	[.756]
1.25-2.0	[.049-.079]	19.4-0.1	[.764]
2.0-3.0	[.079-.118]	19.8-0.1	[.780]

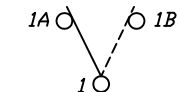


PANEL CUTOUT  
NOT TO SCALE

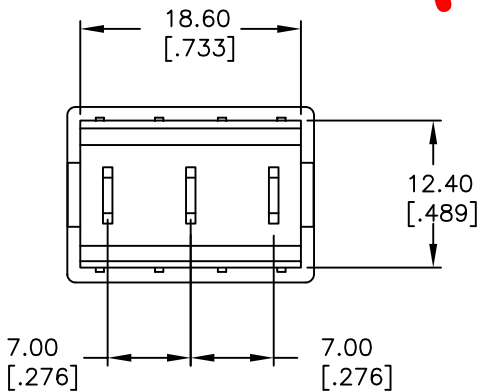


SWITCH FUNCTION		
POS. 1	POS. 2	POS. 3
<ON>	OFF	<ON>
1-1a	OPEN	1-1b

< >=MOMENTARY



CIRCUIT: SPDT



OBSOLETE  
 November 2017  
 PCR 23116

NOTES:

1. ALL DIMENSIONS IN MM [INCH]
2. GENERAL TOLERANCE: X.X=±0.4  
X.XX=±0.25
3. TERMINAL NUMBERS FOR REF ONLY
4. RATING: 15A @ 125VAC OR  
6A @ 250VAC
- APPROVALS: UL, CSA, NEMKO, FEMKO, DEMKO, SEMKO
5. MATERIALS: TERMINALS: Silver Plated Copper Alloy  
CONTACTS: Coin Silver, Silver Plated
6. ELECTRIC LIFE: 10,000 cycles
7. CONTACT RESISTANCE: <20 Mega-OHM
8. INSULATION RESISTANCE: >1000 Mega-OHM
9. DIELECTRIC STRENGTH: >1500 V 1 minute  
>3000 V between poles

**E-SWITCH®**

TITLE		R1966I BLK BLK BF			
SCALE	DATE	DR	DWG	REV	
1.5:1	4/16/02	CB	M306211	C	

C	12061	REVISED MARKING	5/02/02	CJB
REV.	ECN No.	DESCRIPTION	DATE	CHKD
THE INFORMATION CONTAINED IN THIS DOCUMENT IS PROPRIETARY TO E-SWITCH AND IS NOT TO BE COPIED OR TRANSFERRED				