

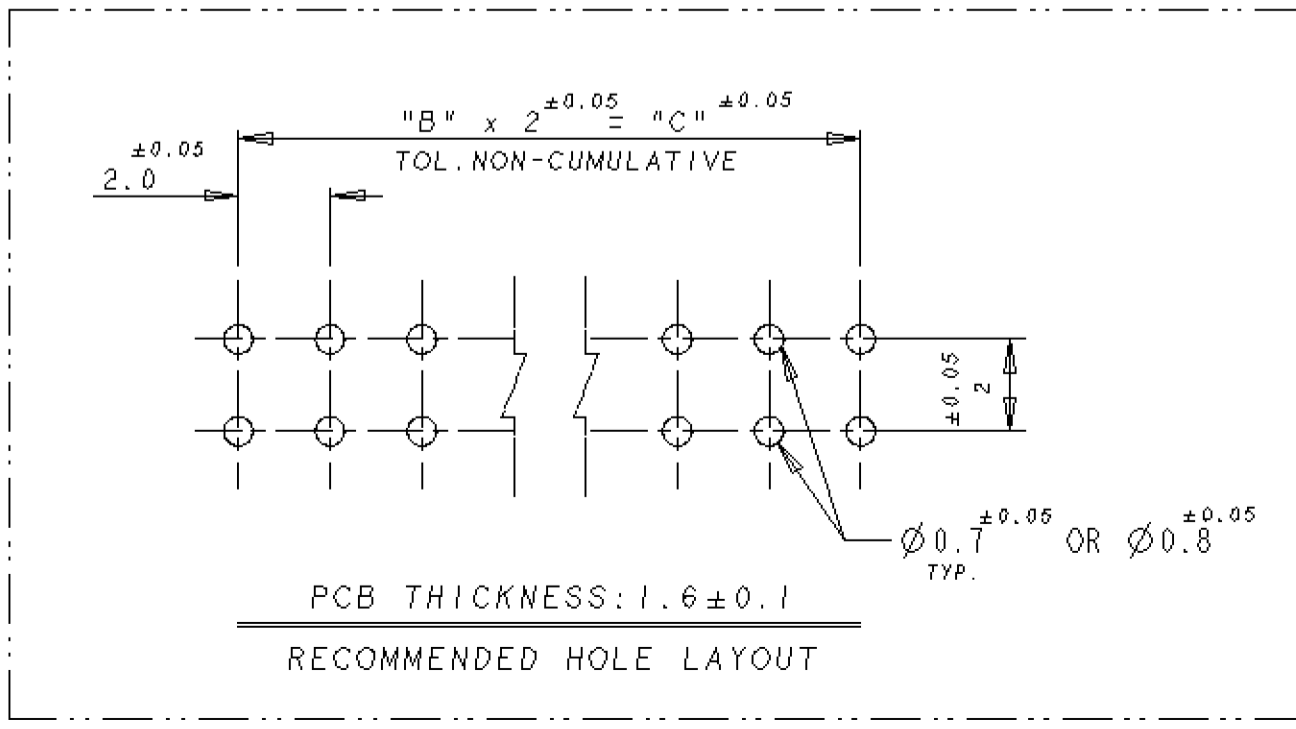
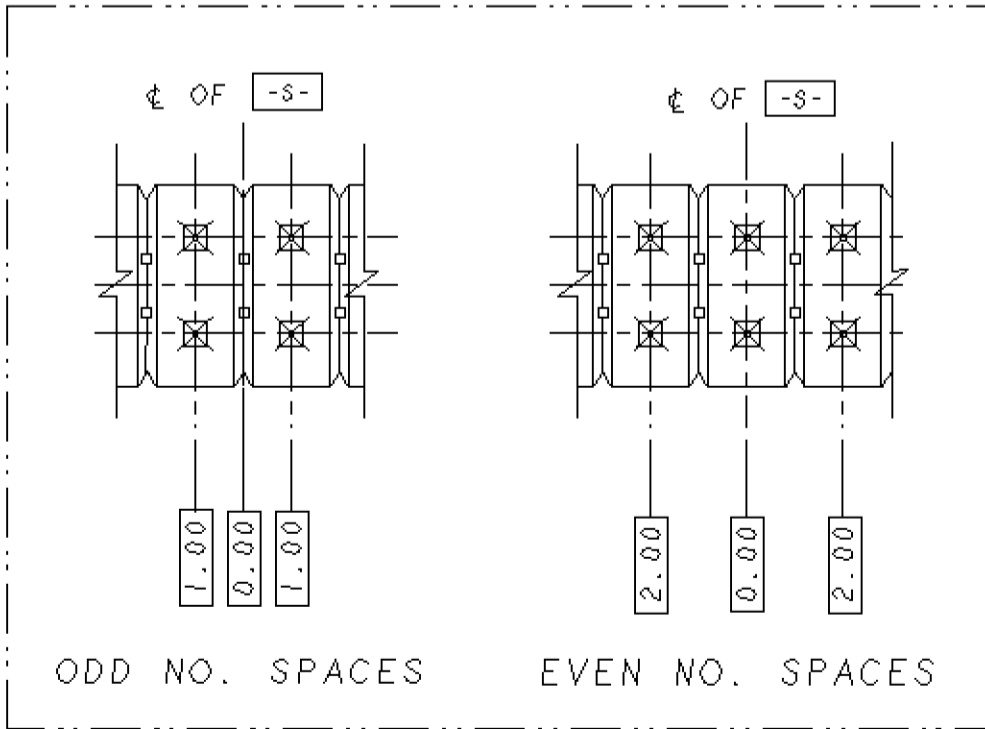
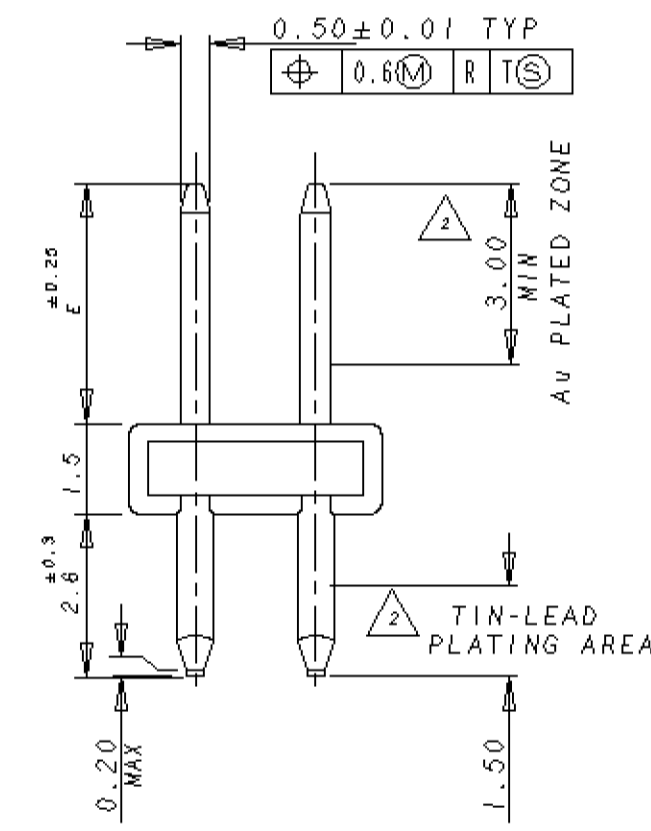
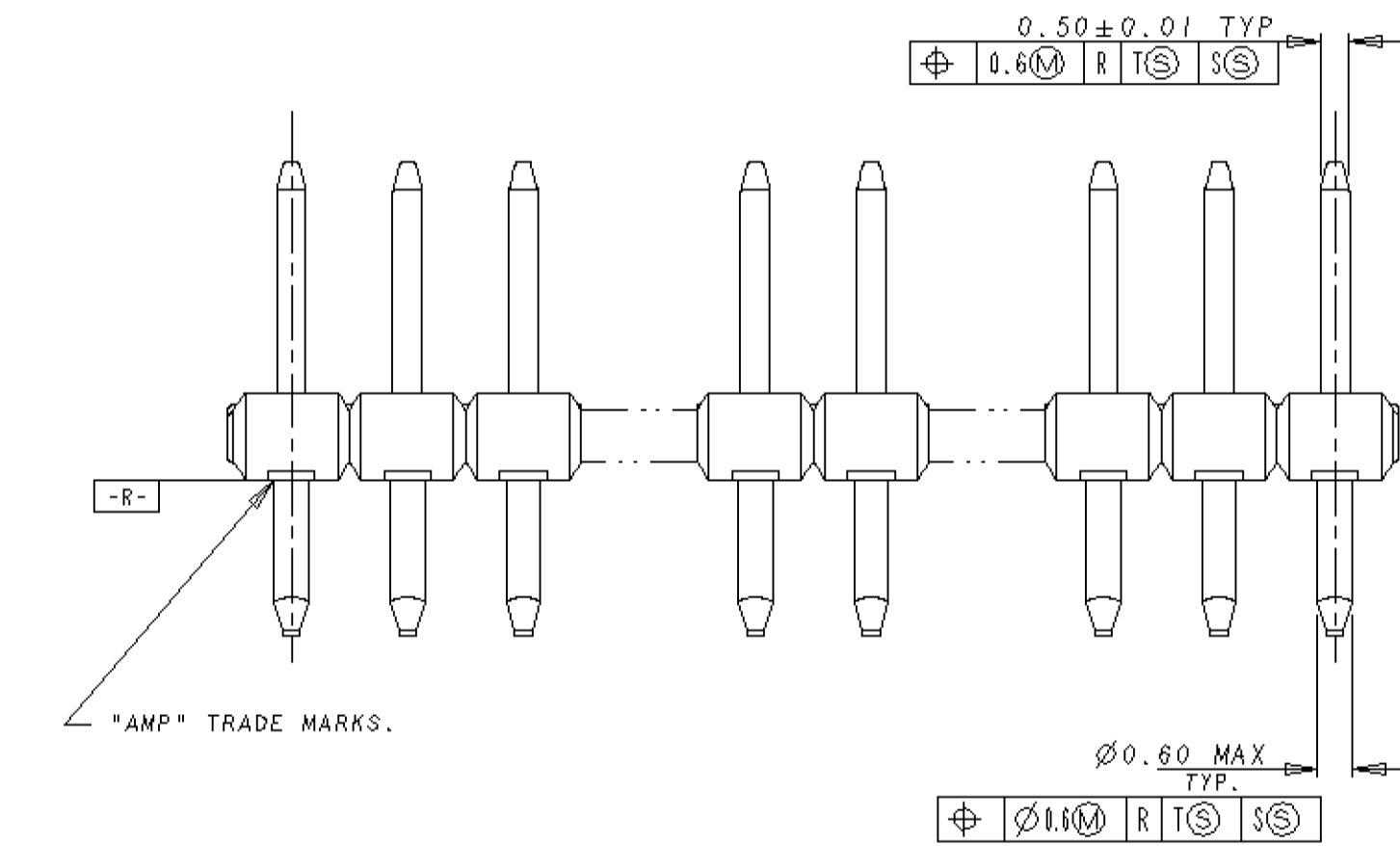
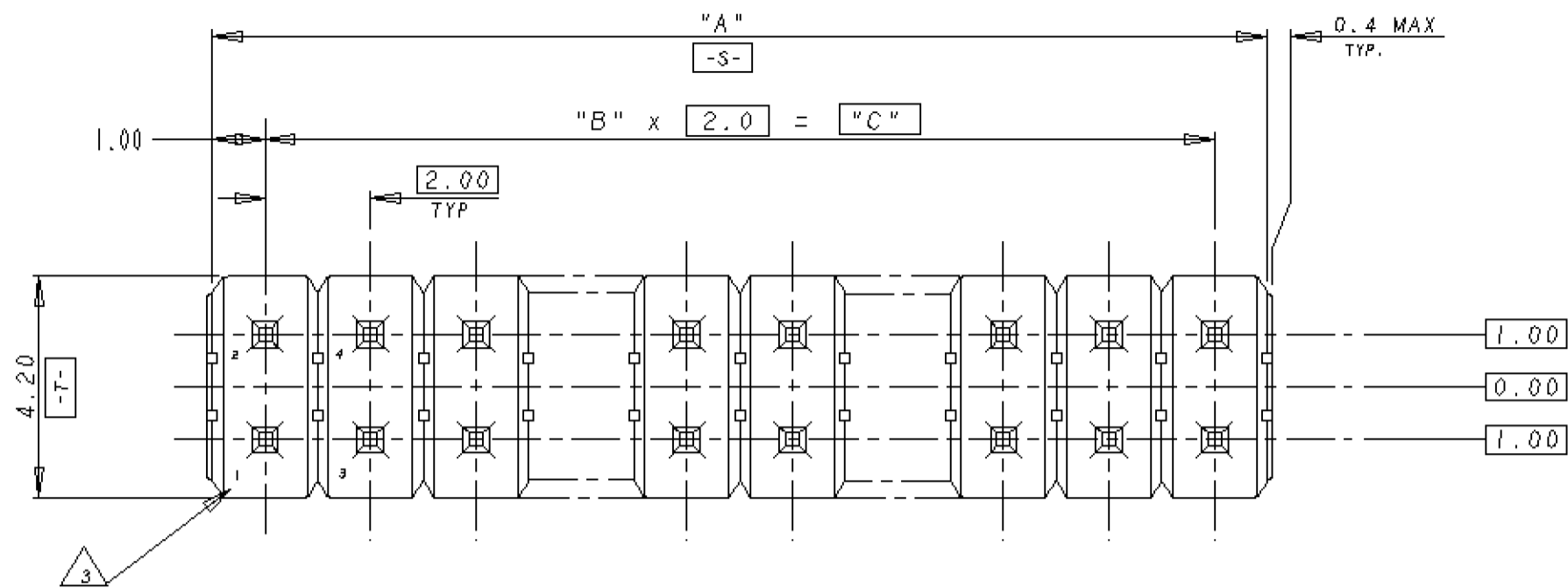
NUMBER 176264

CONFIDENTIAL INFORMATION

DIMENSIONS IN MILLIMETERS. DO NOT SCALE PRINT

PRINT DIST

AMP-2 REV. 10/93



NOTES;  
 1 MATERIAL HOUSING: THERMOPLASTIC, UL 94V-0.  
 POST : BRASS  
 2 FINISH CONTACT AREA, "D" MIN AU  
 ON NICKEL 0.0013 MIN ALL OVER  
 POST TINE: 0.002 MIN TIN-LEAD  
 3 POST POSITION NUMBERS FOR REFERENCE ONLY.

	17	4.00	0.00076	24	12	26	26	5-	-7
	9, 10	5.00	0.00076	24	12	26	26	5-	-6
	1, 14		0.00076	14	7	16	16	5-	-5
	1, 12		0.00076	10	5	12	12	5-	-4
	NIL		0.00076	--	--	2	2	5-	-3
	25		0.00076	48	24	50	50	5-	-2
	25		0.0002	48	24	50	50	5-	-1
OBSOLETE	2, 19		0.00076	18	9	20	20	5-	-0
	NIL		0.0002	--	--	2	2	4-	-9
				48	24	50	50	4-	-8
				46	23	48	48	4-	-7
				44	22	46	46	4-	-6
				42	21	44	44	4-	-5
OBSOLETE				40	20	42	42	4-	-4
				38	19	40	40	4-	-3
				36	18	38	38	4-	-2
OBSOLETE				34	17	36	36	4-	-1
			0.00076	32	16	34	34	4-	-0
OBSOLETE				48	24	50	50	3-	-9
				46	23	48	48	3-	-8
				44	22	46	46	3-	-7
OBSOLETE				42	21	44	44	3-	-6
				40	20	42	42	3-	-5
OBSOLETE				38	19	40	40	3-	-4
				36	18	38	38	3-	-3
				34	17	36	36	3-	-2
OBSOLETE			0.0002	32	16	34	34	3-	-1
				30	15	32	32	3-	-0
OBSOLETE				28	14	30	30	2-	-9
				26	13	28	28	2-	-8
				24	12	26	26	2-	-7
OBSOLETE				22	11	24	24	2-	-6
				20	10	22	22	2-	-5
				18	9	20	20	2-	-4
				16	8	18	18	2-	-3
				14	7	16	16	2-	-2
				12	6	14	14	2-	-1
				10	5	12	12	2-	-0
				8	4	10	10	1-	-9
				6	3	8	8	1-	-8
				4	2	6	6	1-	-7
			0.00076	2	1	4	4	1-	-6
				30	15	32	32	1-	-5
				28	14	30	30	1-	-4
OBSOLETE				26	13	28	28	1-	-3
				24	12	26	26	1-	-2
				22	11	24	24	1-	-1
				20	10	22	22	1-	-0
				18	9	20	20		-9
				16	8	18	18		-8
				14	7	16	16		-7
				12	6	14	14		-6
				10	5	12	12		-5
				8	4	10	10		-4
				6	3	8	8		-3
				4	2	6	6		-2
	NIL	4.00	0.0002	2	1	4	4		176264-1
STATUS	PIN OMITTED	"E"	"D"	"C"	"B" SPACES	"A"	POS		P/N

© 1989 BY AMP MANUFACTURING (SINGAPORE) PTE. LTD.

AMP MANUFACTURING (SINGAPORE) PTE. LTD.

REVISED FP00-0055-99	LWY	LSC	31MAY90	WIRE RANGE	INSULATION DIA	NAME
REVISED FP00-0004-98	LWY	CL	7JAN98	mm <sup>2</sup> (AWG)	mm	
REVISED FP00-0163-98	LWY	TWN	9JUL98			
REVISED FP00-0215-95	LWY	TAP	2AUG95			
REVISED FP00-0191-95	LWK	TAP	11JUL95			
REVISED FP00-0045-95	LWY	CWK	27FEB95	MATERIAL	FINISH	AMPMODU 2MM PITCH POST HDR, VERTICAL MOUNT TYPE.
REVISED FP00-0006-95	RT	CWK	4JAN95	SEE NOTE	SEE NOTE	GENERAL TOLERANCE
REVISED FP00-0136-94	LWY	CWK	18JUL94	DR. I. ENOMOTO	DE. I. ENOMOTO	SIZE LOC NUMBER
REVISION RECORD	DR	CHK	DATE	CHK. S. MANABE	APP. SF LEONG	SCALE REV. SHEET

0< 10 : ±0.2  
 10< 30 : ±0.25  
 30< 100 : ±0.3  
 ANGLES : \*\*

A2 DY 176264  
 8-1 K 1 OF 1

CUSTOMER DRAWING