

Housing - HC-STA-D07-BWSCM-PL-BK - 1419278


Please be informed that the data shown in this PDF Document is generated from our Online Catalog. Please find the complete data in the user's documentation. Our General Terms of Use for Downloads are valid (<http://phoenixcontact.com/download>)



Panel mounting base D7, with single locking latch, material: PA, protective cover material: PA, height: 25.5 mm, cable gland: none, support sleeve: no, protective cover: yes, Standard, for pin inserts



Key Commercial Data

Packing unit	1 pc
GTIN	 4 055626 160283
GTIN	4055626160283

Technical data

Dimensions

Height	25.5 mm
Width	34.2 mm
Length	24.2 mm
Length of the assembly cutout	21 mm
Width of the assembly cutout	21 mm

Ambient conditions

Degree of protection (IP)	IP66 (when plugged in or with locked protective cover)
Ambient temperature (operation)	-20 °C ... 100 °C

General

Note	for contact inserts HC-A03, A04, D07, D08, Q02, Q03, Q04, Q05, Q07, Q12
Size	D7
Housing type	Panel mounting base
Color	black
Locking type	with single locking latch
Screw connection	none
Protective cover	yes

Housing - HC-STA-D07-BWSCM-PL-BK - 1419278

Technical data

General

Housing material	PA
Material lock	PA
Material, protective cover	PA
Flammability rating according to UL 94	V0 (Polyamide housing)

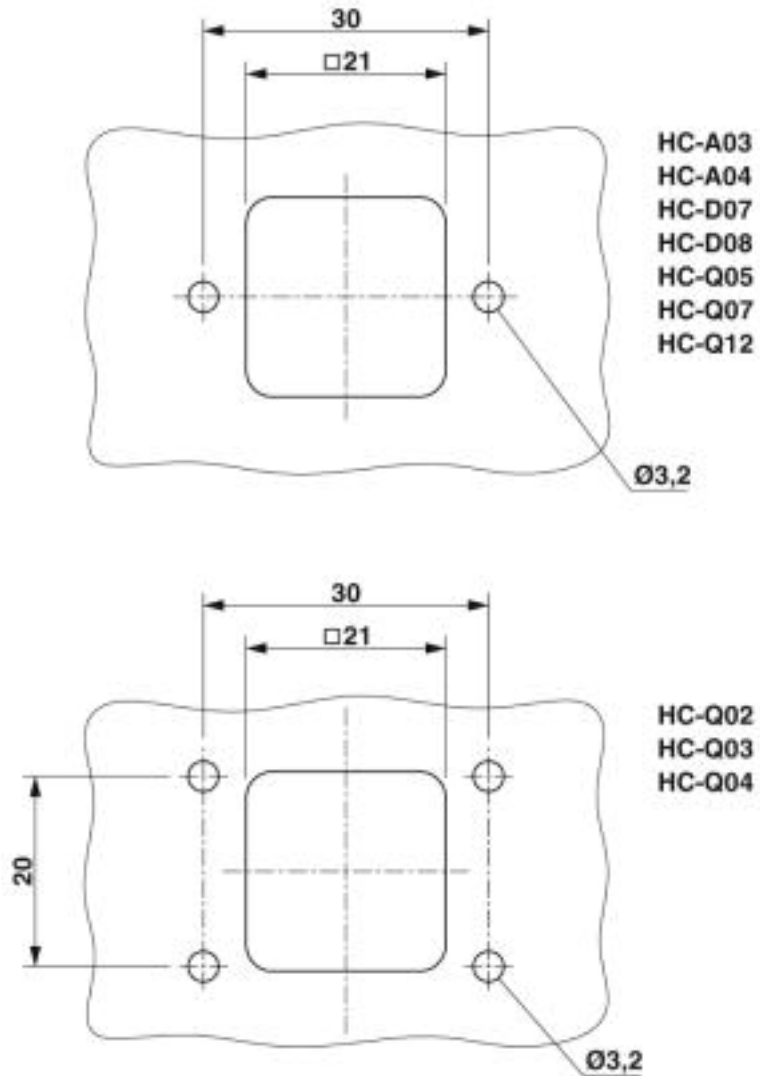
Environmental Product Compliance

China RoHS	Environmentally Friendly Use Period = 50
	For details about hazardous substances go to tab "Downloads", Category "Manufacturer's declaration"

Drawings

Housing - HC-STA-D07-BWSCM-PL-BK - 1419278

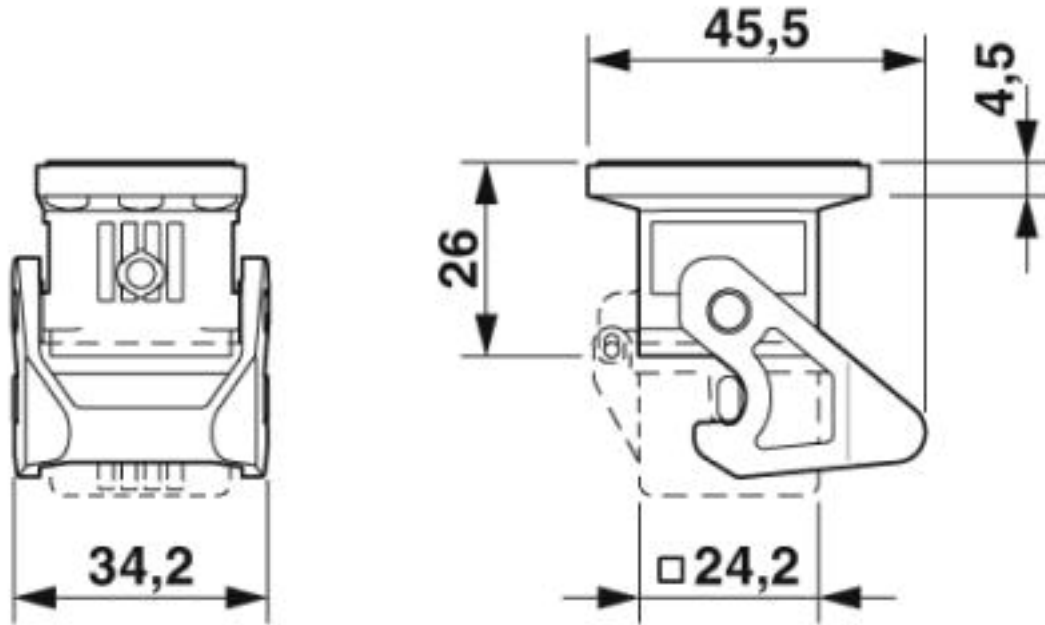
Dimensional drawing



Mounting cutout

Housing - HC-STA-D07-BWSCM-PL-BK - 1419278

Dimensional drawing



Dimensional drawing

Approvals

Approvals

Approvals

EAC / DNV GL

Ex Approvals

Approval details

EAC		RU C- DE.AI30.B.01102
-----	--	--------------------------

DNV GL		https://approvalfinder.dnvgl.com/	TAE000037S
--------	--	---	------------

Phoenix Contact 2019 © - all rights reserved
<http://www.phoenixcontact.com>

PHOENIX CONTACT GmbH & Co. KG
Flachsmarktstr. 8
32825 Blomberg
Germany
Tel. +49 5235 300
Fax +49 5235 3 41200
<http://www.phoenixcontact.com>