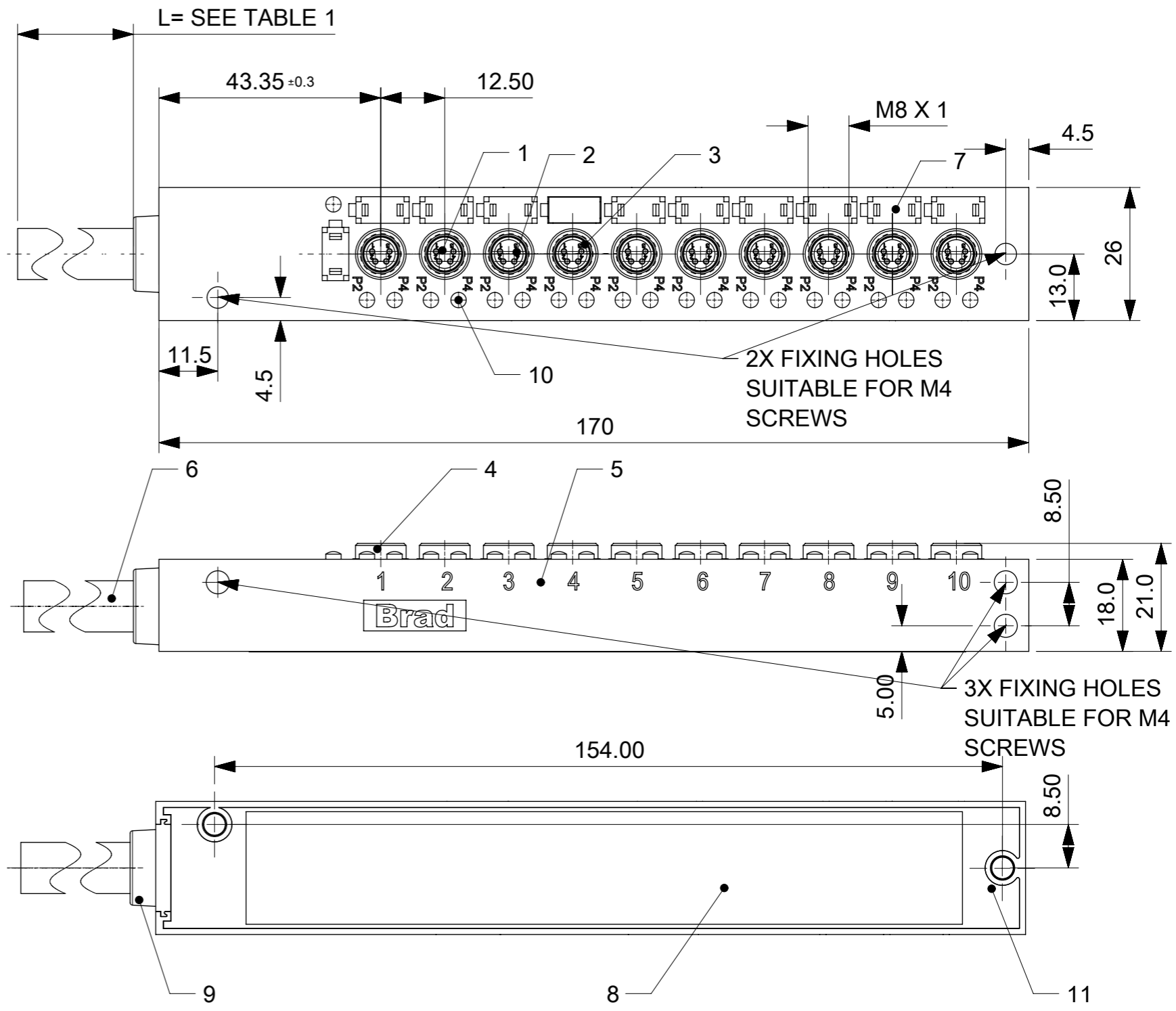


TABLE 1

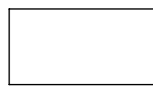
MOLEX P/N	ENG. NO.	CABLE LENGTH (MM)	LED
1202470024	BEBA03P-FBW-05	5000	YES
1202470025	BEBA03P-FBW-10	10000	YES
1202470026	BEBA03P-FBW-15	15000	YES
1202470027	BEBA03P-FBW-20	20000	YES
1202470055	BEBA030-FBW-05	5000	NO
12024700556	BEBA030-FBW-05	10000	NO
1202470057	BEBA030-FBW-05	15000	NO

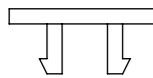
TABLE 2

ITEM	COMPONENT	MATERIAL	FINISH
1	INSERT	POLYESTER	BLACK
2	CONTACT SOCKET	COPPER ALLOY	GOLD OVER NICKEL
3	O-RING	VITON	RED
4	RECEPTACLE SHELL	BRASS	NICKEL PLATED
5	HOUSING	PBT	BLACK
6	CABLE	TPU	BLACK
7	LABEL	ABS	WHITE
8	LABLE ADHESIVE	PE	WHITE
9	CABLE PLATE	PBT	BLACK
10	LED	NO LED = PA	BLACK
		WITH LED = PA	TRANSPARENT
11	RESIN	EPOXY	TRANSPARENT



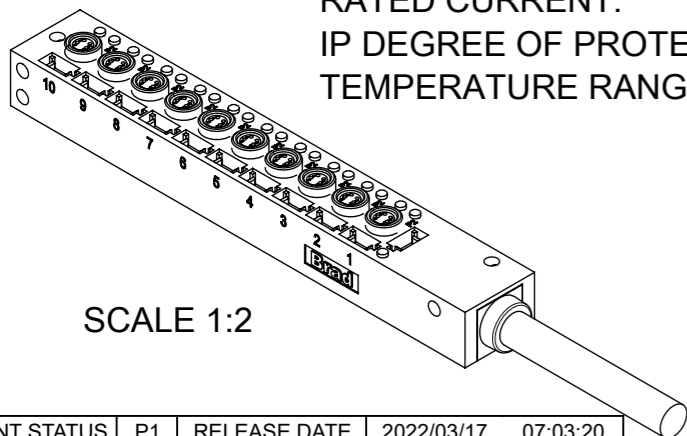
SCALE 2:1

 LABEL
11x packed in a bag.



GENERAL CHARACTERISTICS:

NOMINAL VOLTAGE: 24 V DC
 RATED CURRENT: 2 A PER PORT / 6 A MAX: TOTAL
 IP DEGREE OF PROTECTION: IP 68
 TEMPERATURE RANGE: -25°C to + 85°C



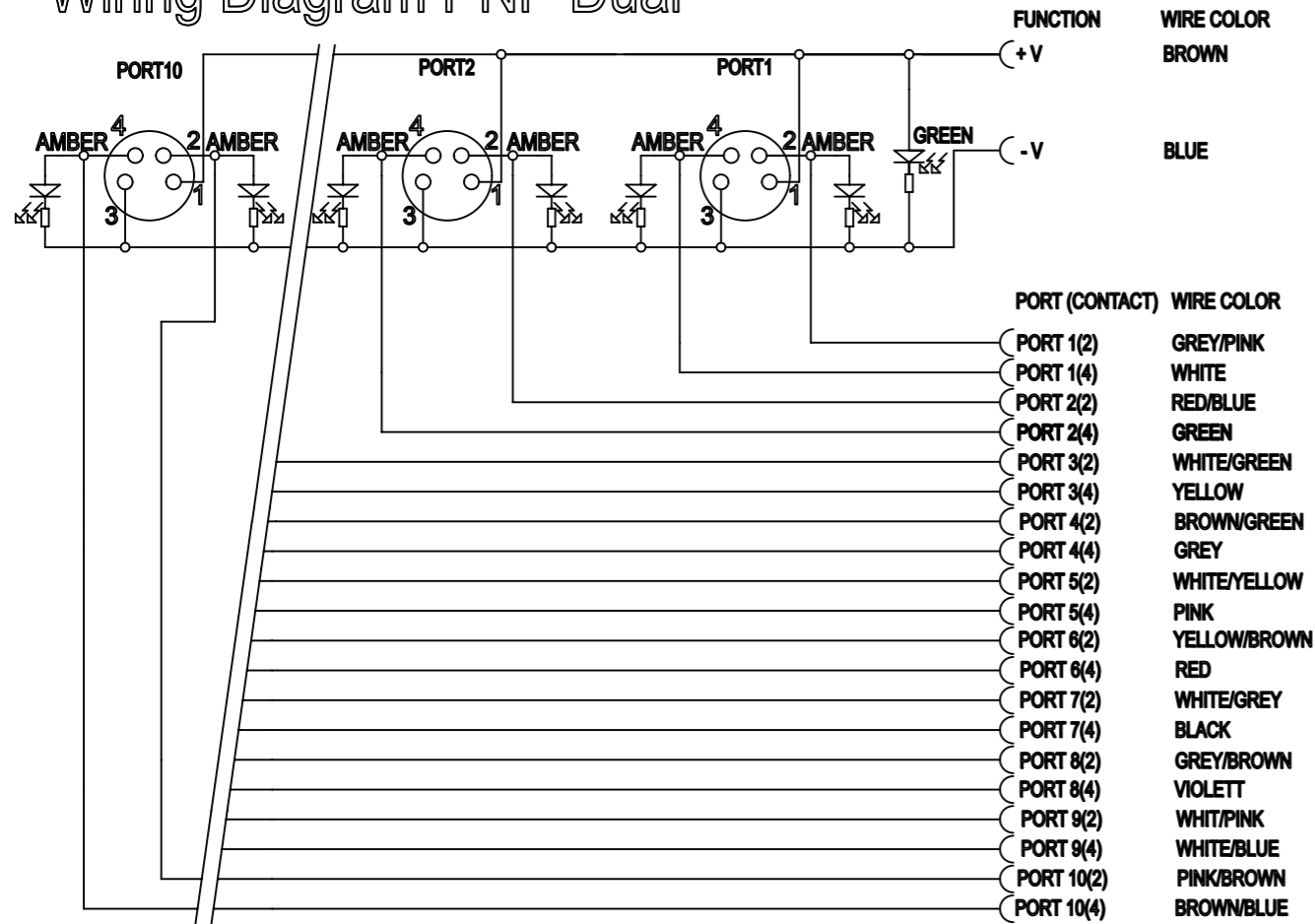
SCALE 1:2

CABLE LENGTH TOLERANCES

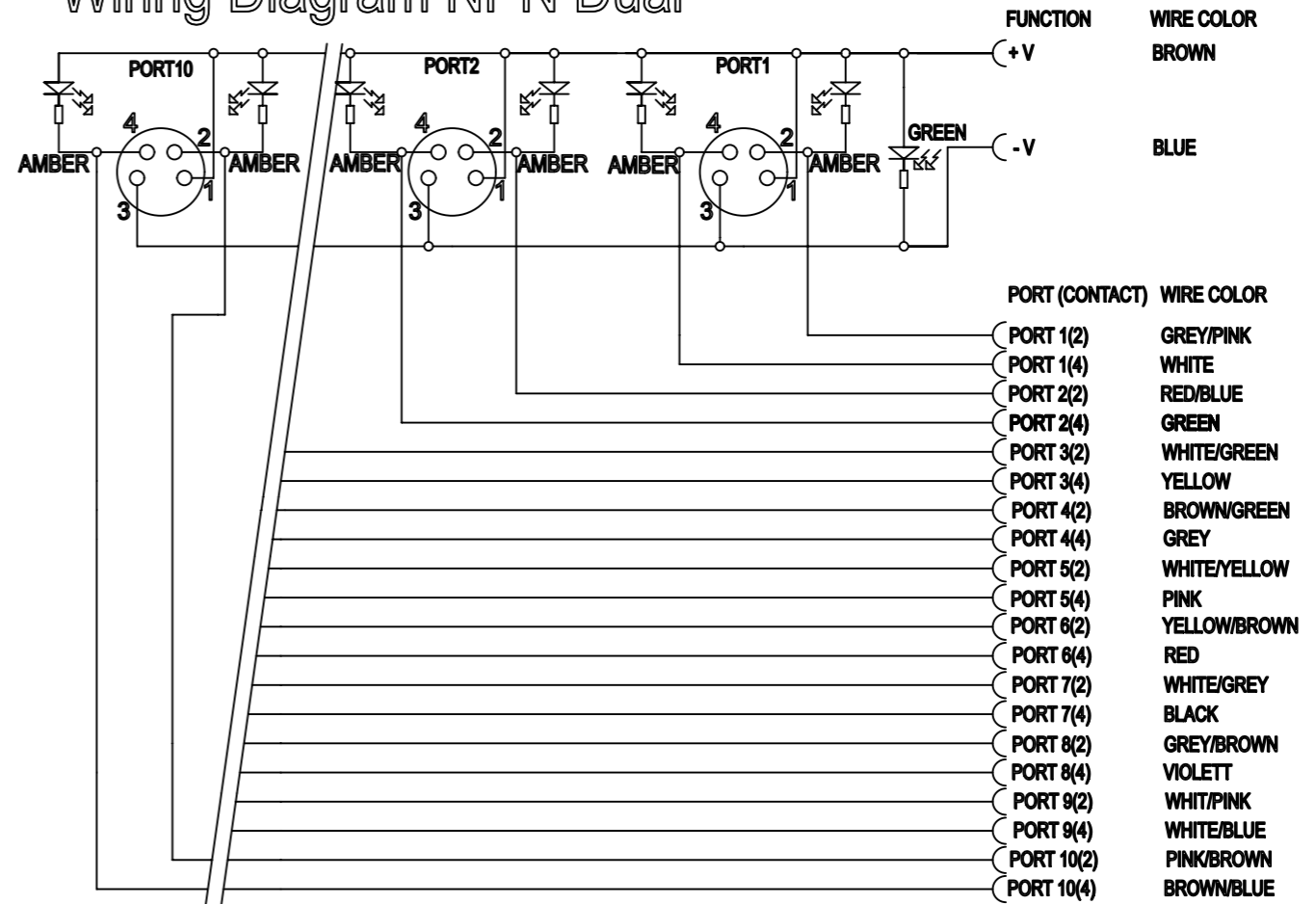
LENGTH	TOLERANCE
0m-1m	+40 mm
>1m-5m	+60 mm
>5m-10m	+80 mm
>10m-20m	+140 mm
>20m-30m	+160 mm
>30m	+1% length

FUNCTIONAL SYMBOLS ∇A = 0 ∇E = 0 ∇F = 0	THIS DRAWING CONTAINS INFORMATION THAT IS PROPRIETARY TO MOLEX ELECTRONIC TECHNOLOGIES, LLC AND SHOULD NOT BE USED WITHOUT WRITTEN PERMISSION	CURRENT REV DESC: ADDED CABLE TOLERANCE TABLE	
	DIMENSION UNITS: mm SCALE: 1:1	GENERAL TOLERANCES (UNLESS SPECIFIED) ANGULAR TOL ± °	
DIVISIONAL SYMBOLS	4 PLACES ±	EC NO: 699789	MPIS M8 PNP NPN NOS 4P 10PT BK XM DUAL
	3 PLACES ±	DRWN: MDHARMANTI 2022/03/11	
2 PLACES ± 0.2	CHK'D: RSILLER 2022/03/17	PRODUCT CUSTOMER DRAWING	
1 PLACE ± 0.3	APPR: RSILLER 2022/03/17	DOCUMENT NUMBER: 1202470024	
0 PLACES ± 0.5	INITIAL REVISION: DRWN: ULETTENMEIER 2015/01/20 APPR: RSILLER 2015/04/22	DOC TYPE: PSD	DOC PART: 000
DRAFT WHERE APPLICABLE MUST REMAIN WITHIN DIMENSIONS	THIRD ANGLE PROJECTION	DRAWING: A3-SIZE	SHEET NUMBER: 1 OF 2
	SERIES: 120247	MATERIAL NUMBER: SEE TABLE 1	CUSTOMER: GENERAL MARKET

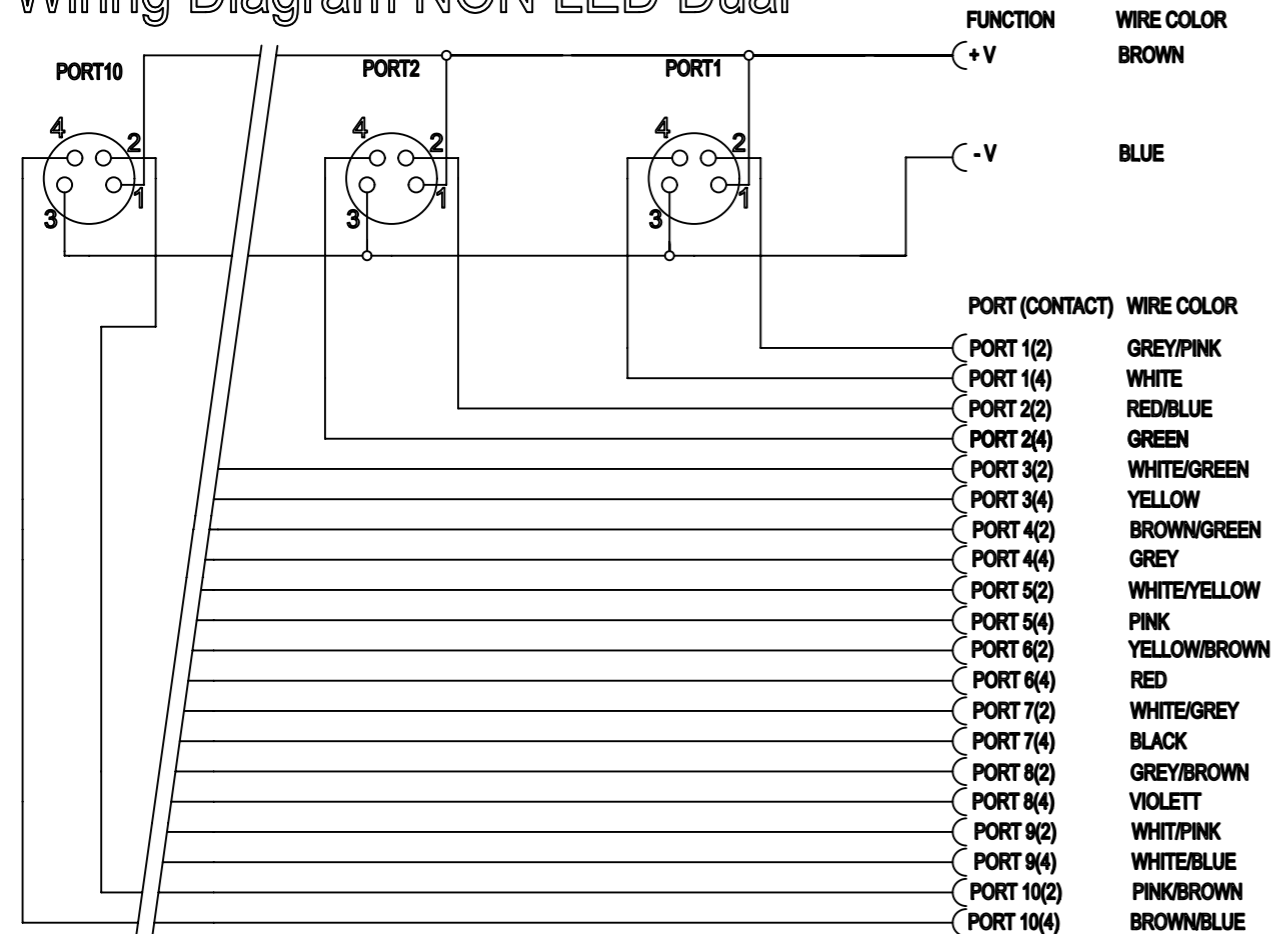
Wiring Diagram PNP Dual



Wiring Diagram NPN Dual



Wiring Diagram NON LED Dual



FUNCTIONAL SYMBOLS	THIS DRAWING CONTAINS INFORMATION THAT IS PROPRIETARY TO MOLEX ELECTRONIC TECHNOLOGIES, LLC AND SHOULD NOT BE USED WITHOUT WRITTEN PERMISSION					
	DIMENSION UNITS	SCALE				CURRENT REV DESC: ADDED CABLE TOLERANCE TABLE
DIVISIONAL SYMBOLS	$\nabla_A = 0$	mm	1:1	EC NO: 699789		
	GENERAL TOLERANCES (UNLESS SPECIFIED)			DRWN: MDHARMANTI 2022/03/11		
	ANGULAR TOL ± °			CHK'D: RSILLER 2022/03/17		
	4 PLACES ±			APPR: RSILLER 2022/03/17		
	3 PLACES ±			INITIAL REVISION:		
2 PLACES ± 0.2			DRWN: ULETTENMEIER 2015/01/20			
1 PLACE ± 0.3			APPR: RSILLER 2015/04/22			
0 PLACES ± 0.5			DRAFT WHERE APPLICABLE MUST REMAIN WITHIN DIMENSIONS			
THIRD ANGLE PROJECTION			DRAWING	SERIES	MATERIAL NUMBER	CUSTOMER
			A3-SIZE	120247	SEE TABLE 1	GENERAL MARKET
DOCUMENT NUMBER			DOC TYPE	DOC PART	REVISION	
1202470024			PSD	000	B1	
SHEET NUMBER			2 OF 2			