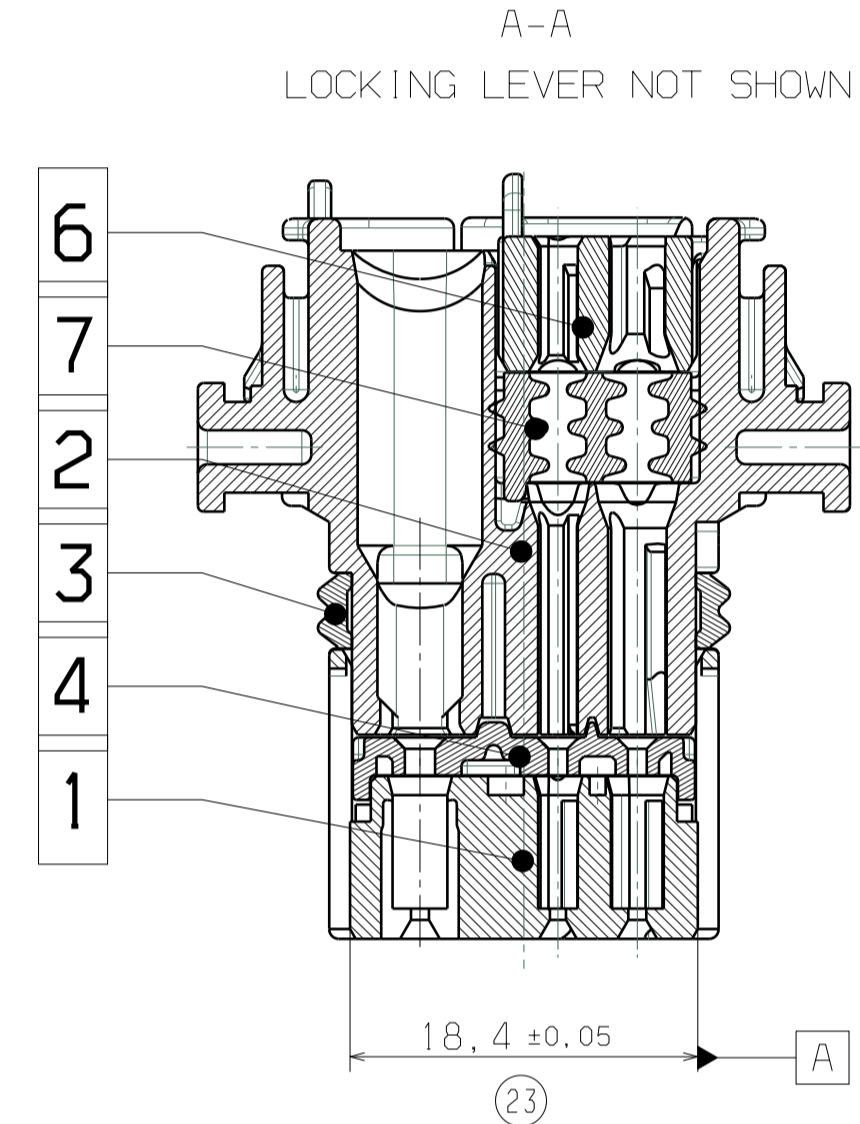
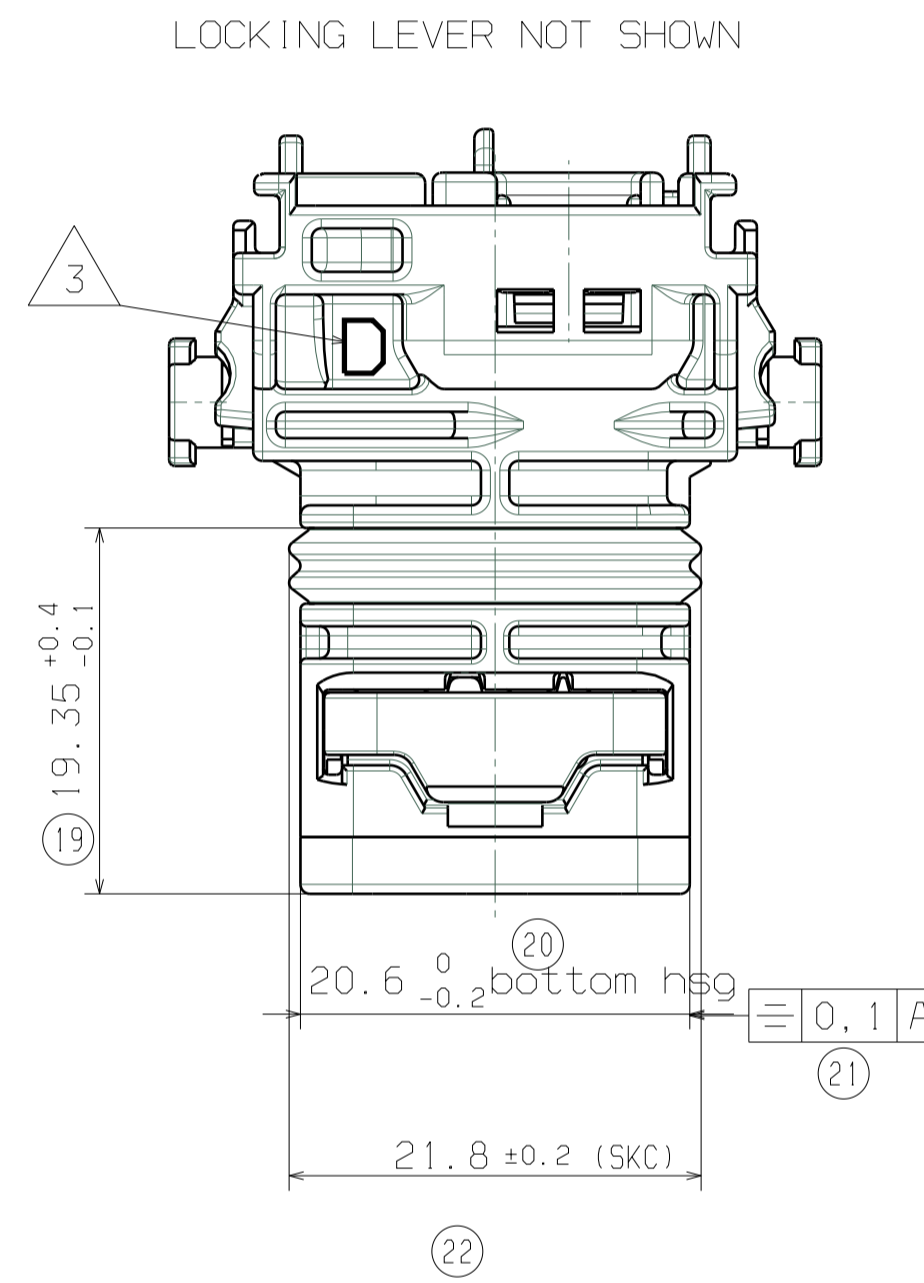
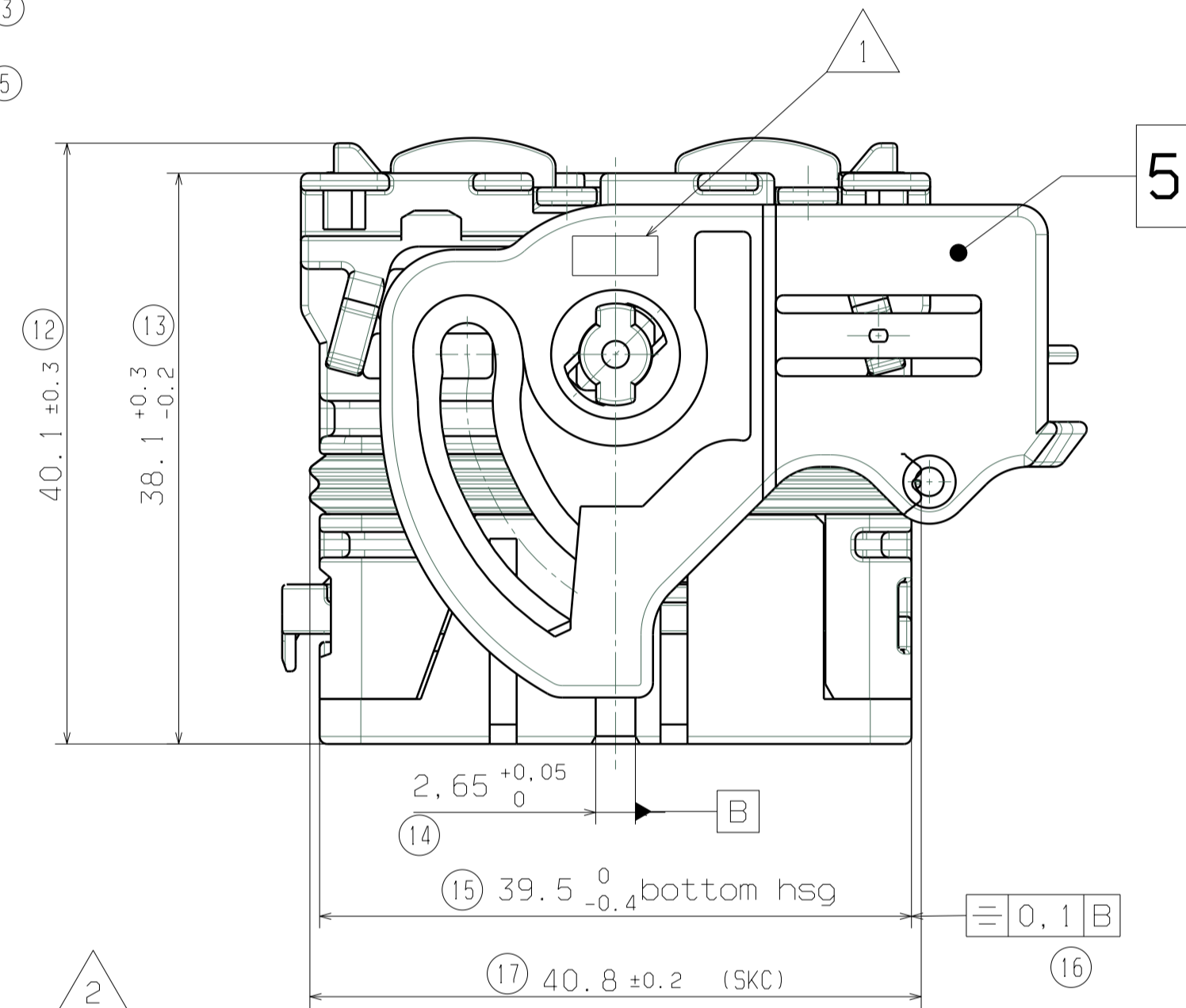
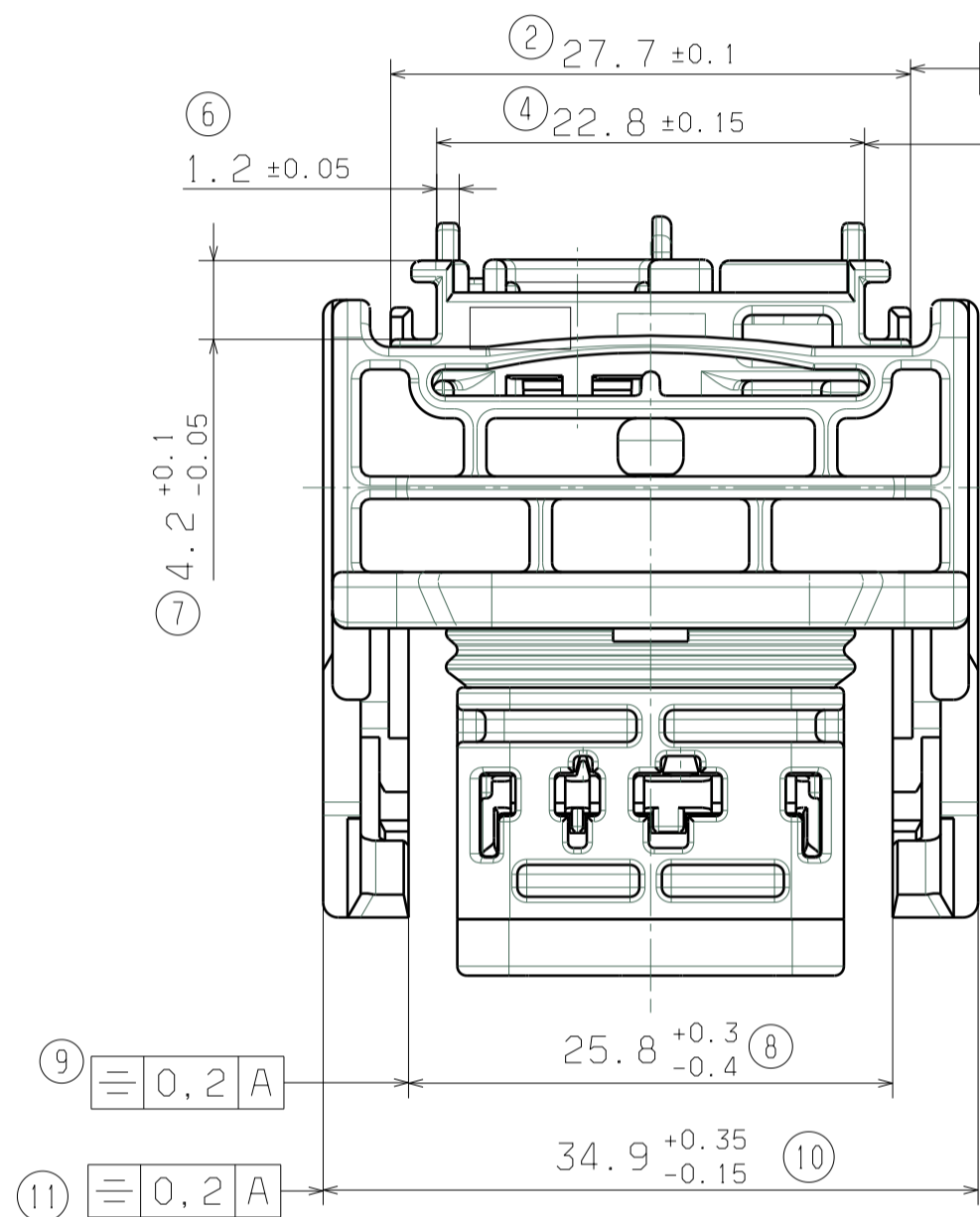
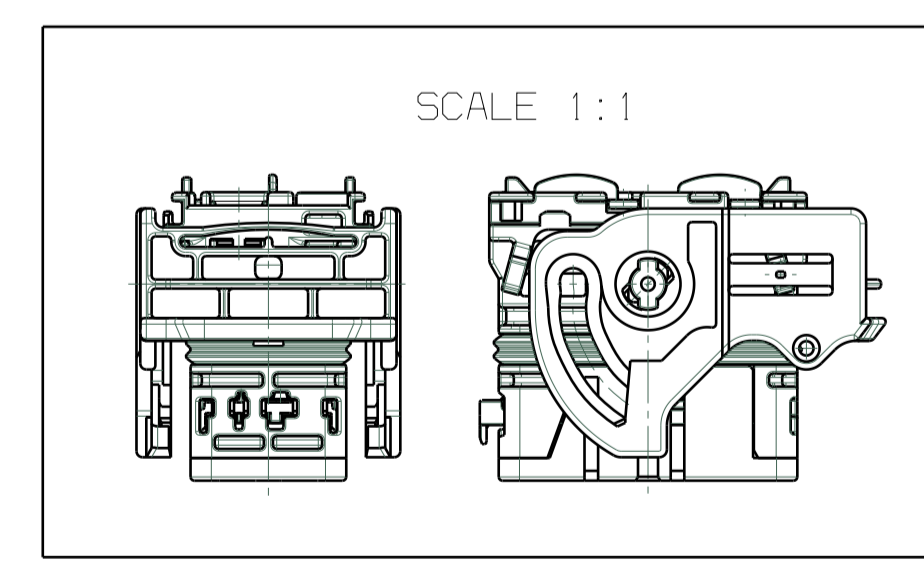
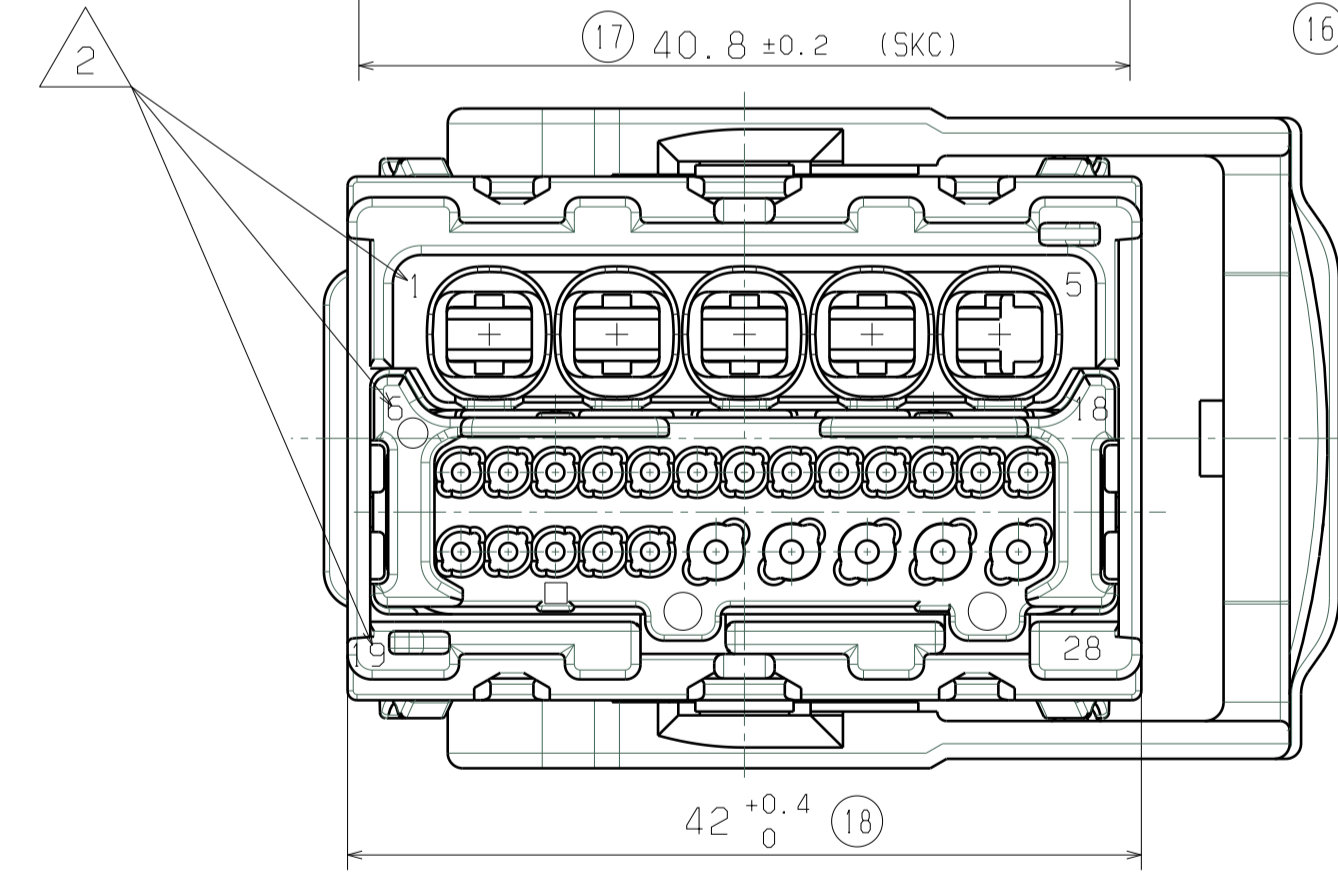


LEFT WIRE OUTPUT	
MATERIAL NUMBER	COLOR
0643181011	BLACK
0643181018	GREY
0643181019	BROWN



RIGHT WIRE OUTPUT	
MATERIAL NUMBER	COLOR
0643183011	BLACK
0643183018	GREY
0643183019	BROWN



NOTES

1-FOR ILLUSTRATION PURPOSE THE FEMALE HOUSING SHOWN IS THE RIGHT WIRE OUTPUT VERSION CODING 1

2-APPLICATION SPECIFICATION: AS-64318-002

3-THE CONNECTOR FITS WITH WIRE CAP (48WAY) MOLEX P/N 0643201301

4-BLIND PLUG FOR 0.6, 1.5 AND 2.8 CAVITIES (MOLEX P/N 0643251010 0643251023 0643251091) MUST BE USED ON THIS PART

5-DELIVERED PRODUCT WEIGHT: 35.2 g

SKC: SPECIAL KEY CHARACTERISTICS

☒ DENOTES S.P.C DIMENSIONS

⊗ DENOTES CRITICAL DIMENSIONS

● DENOTES FUNCTIONAL DIMENSIONS

QUANTITY PER INDIVIDUAL SHEET

☒ 0 ⊗ 0 ● 0 SKC: 2

7	MATT SEAL	SILICONE	GREEN ORANGE
6	BACK GRID 23 WAY	>PBT-GF20<	GREY
5	LOCKING LEVER SIZE 3	>PBT-GF30<	BLACK
4	SECONDARY LOCK	>PBT-GF20<	YELLOW
3	PERIPHERAL SEAL SIZE 3	SILICONE	RED
2	BACK PART	>PBT-GF20<	BROWN
1	FRONT PART	>PBT-GF20<	COLOR LINKED TO KEYING
REF.	DESIGNATION	MATERIAL	COLOR

MARKINGS

① Assembled part tracability day + year

② Terminal cavities identification

③ Lever position indicator:
 "D" LETTER VISIBLE= part with "LEVER ON THE RIGHT"
 "G" LETTER VISIBLE= part with "LEVER ON THE LEFT"

④ Supplier identification

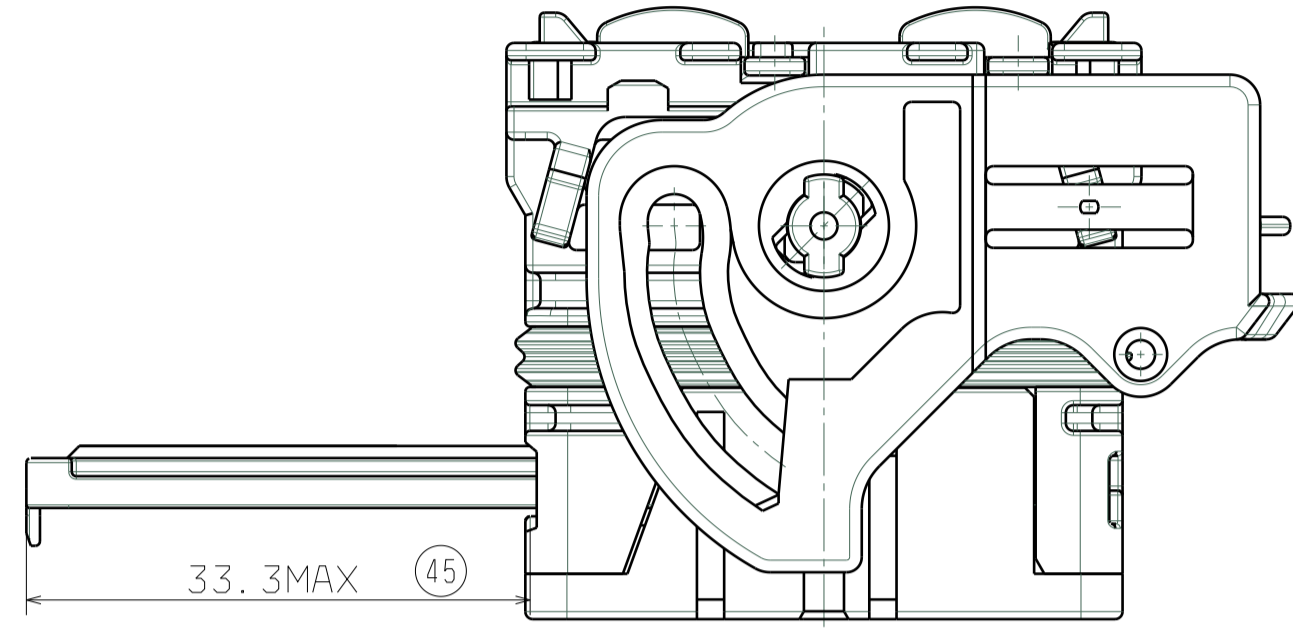
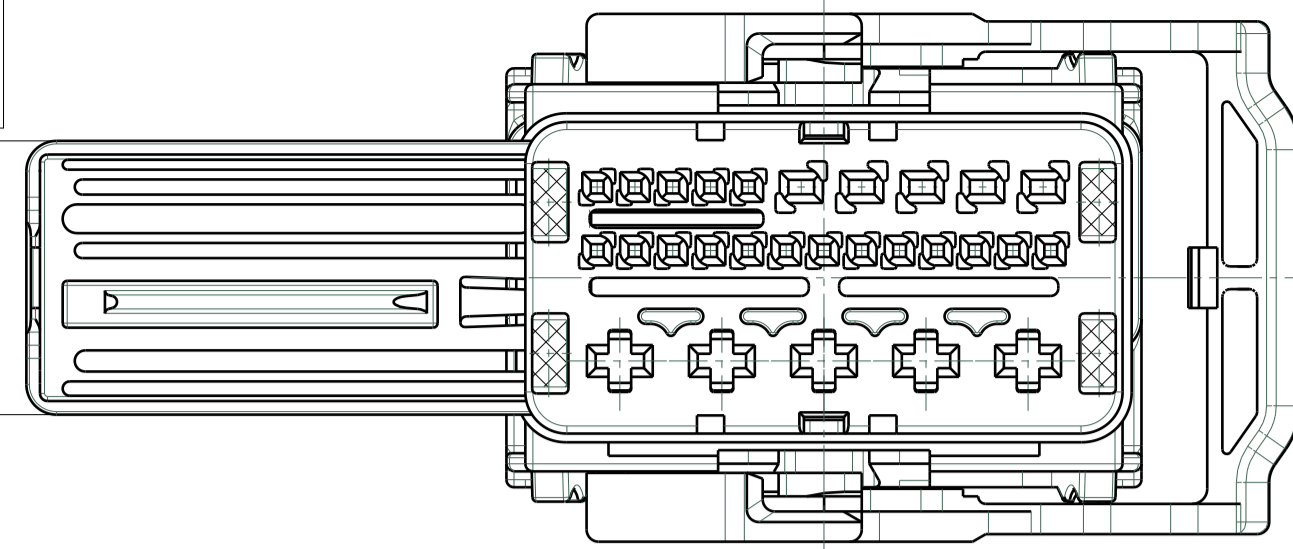
⑤ Material identification

WIRE SEAL P/N UPD.	EC NO: G2012-0068	DRWN: PBOUJAIN 2010/06/15	CH*KO: OPLESSIS 2011/11/17	APPR: CBOUCHAN 2011/11/17	QUALITY SYMBOLS	GENERAL TOLERANCES (UNLESS SPECIFIED)		DIMENSION STYLE		SCALE	DESIGN UNITS	FIRST ANGLE PROJECTION
						mm	INCH	MM ONLY	MM ONLY			
						4 PLACES ±	±	DRAWN BY	DATE	2.5:1	METRIC	CMC CONNECTOR 28 CKT POWER MAT SEAL VERSION
						3 PLACES ±	±	TBADAROUX	2007/09/25			
						2 PLACES ±	0.1 ±	CHECKED BY	DATE			
						1 PLACE ±	0.1 ±	OPLESSIS	2007/09/25			
						ANGULAR ± 2°		APPROVED BY	DATE	MOLEX INCORPORATED		SHEET NO. 1 OF 2
						DRAFT WHERE APPLICABLE MUST REMAIN WITHIN DIMENSIONS		CBOUCHAN	2007/09/25	MOLEX INCORPORATED		
								MATERIAL NO.	SEE CHART	DOCUMENT NO.	SD-64318-001	
								SIZE	A1	THIS DRAWING CONTAINS INFORMATION THAT IS PROPRIETARY TO MOLEX INCORPORATED AND SHOULD NOT BE USED WITHOUT WRITTEN PERMISSION		

CONNECTOR OVERALL DIMENSIONS:
SECONDARY LOCKING FULLY OPENED
FOR TERMINAL INSERTION

RIGHT WIRE OUTPUT

18.1MAX
44

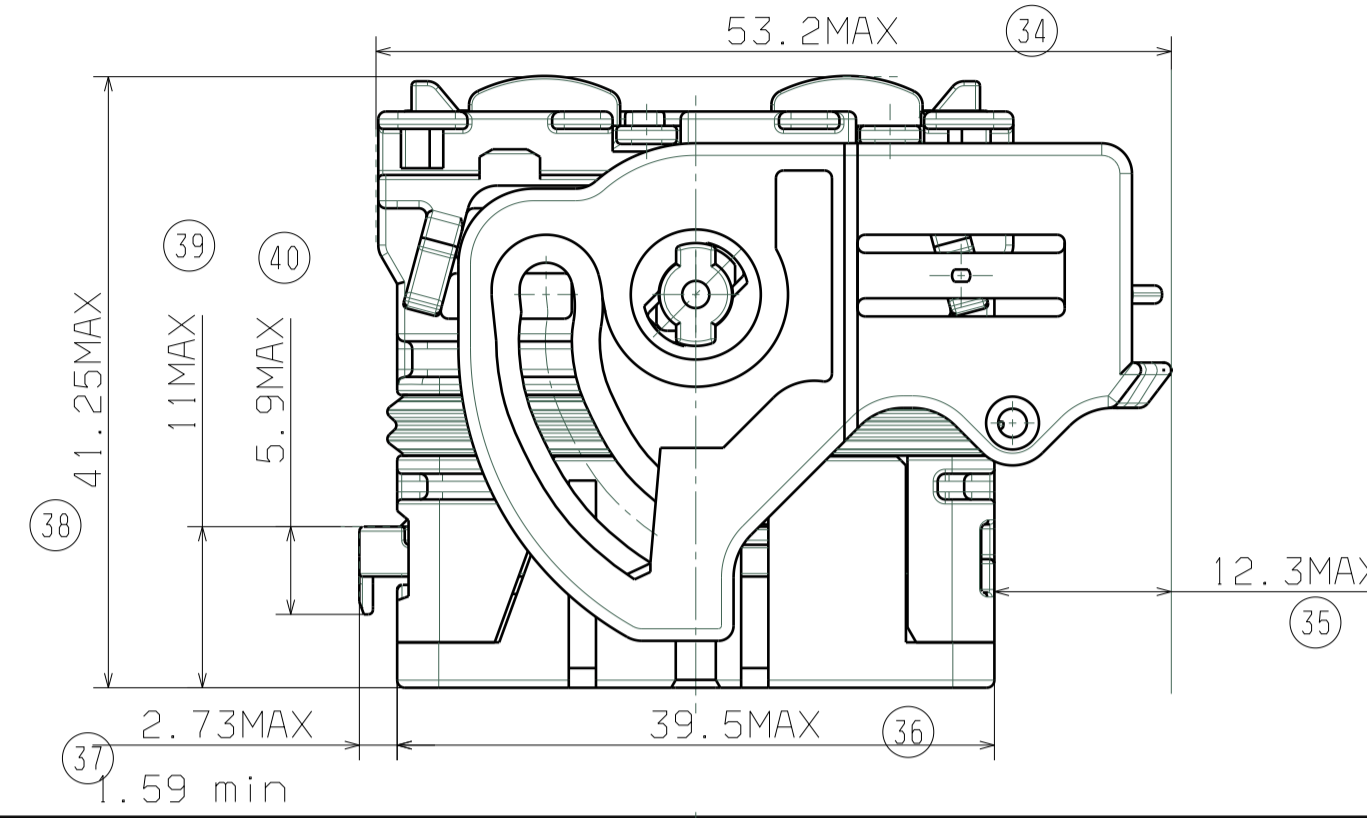
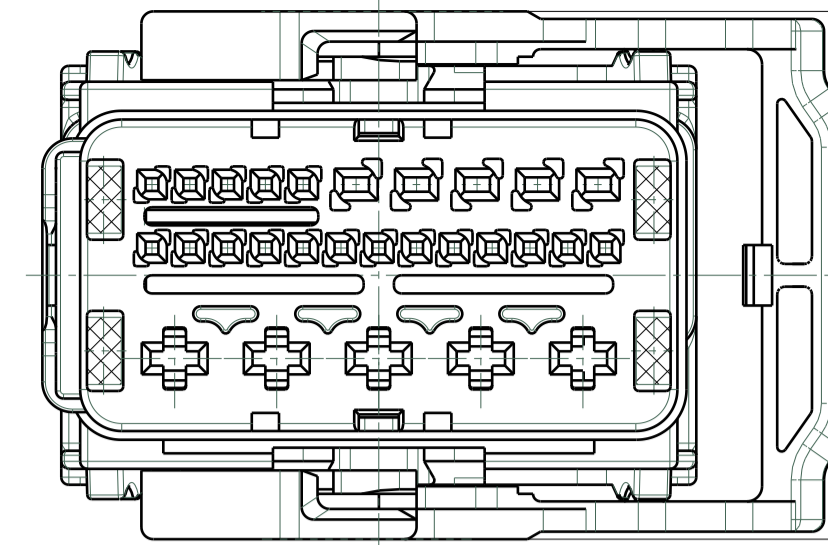


33.3MAX 45

CONNECTOR OVERALL DIMENSIONS:
SECONDARY LOCKING IN
DELIVERY POSITION

RIGHT WIRE OUTPUT

35.25MAX
33



41.25MAX
38

11MAX
39

5.9MAX
40

2.73MAX
1.59 min
37

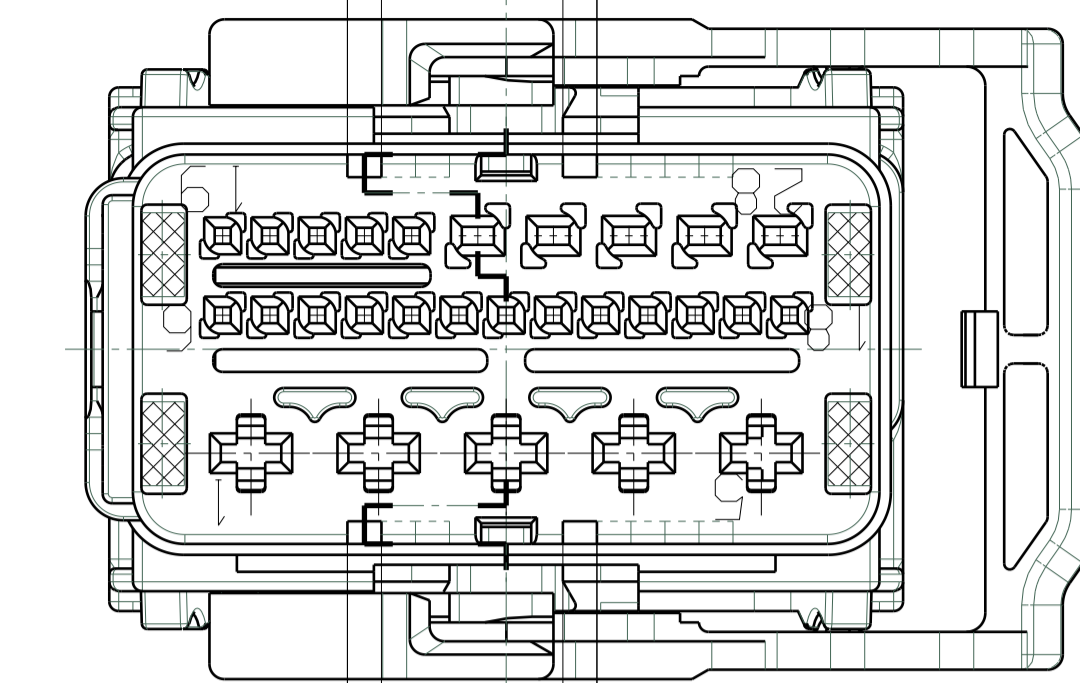
53.2MAX 34

39.5MAX 36

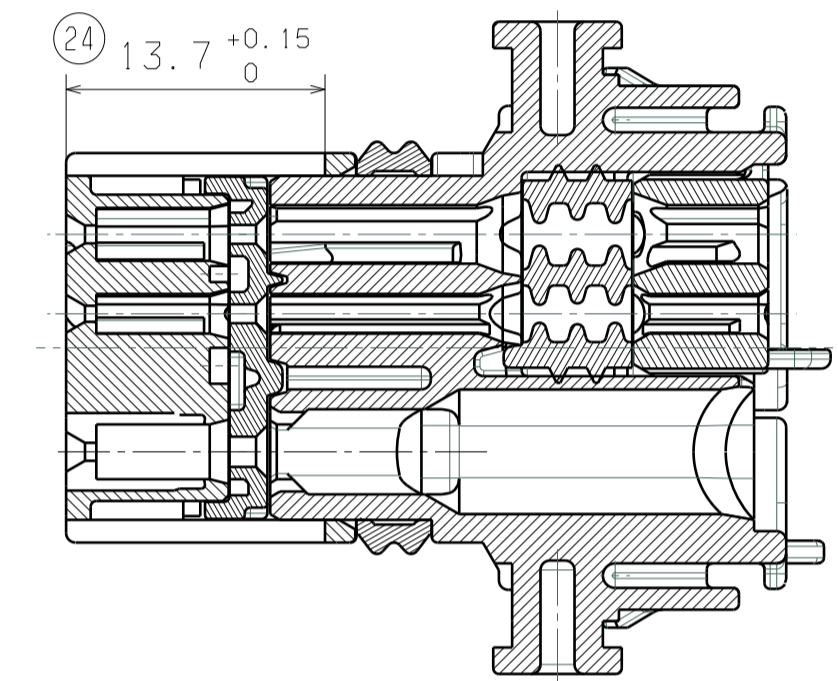
12.3MAX
35

CODING POSITION

31 C $\begin{matrix} 0 \\ -0.1 \end{matrix}$ 30 D $\begin{matrix} 0 \\ -0.1 \end{matrix}$
32 E $\begin{matrix} +0.1 \\ 0 \end{matrix}$ E $\begin{matrix} +0.1 \\ 0 \end{matrix}$ 29



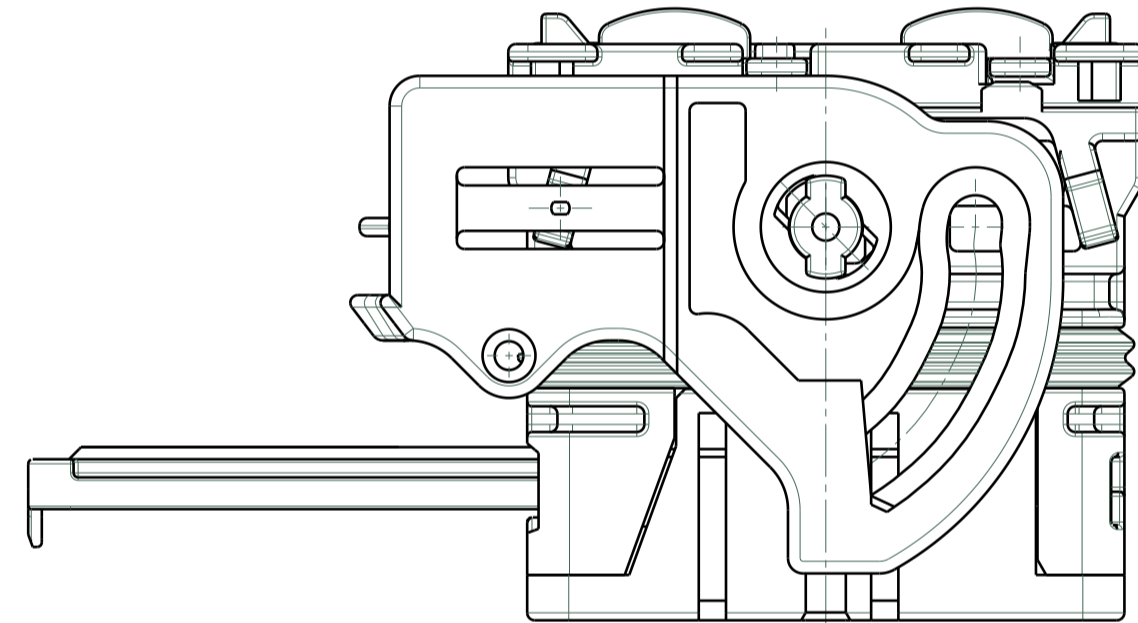
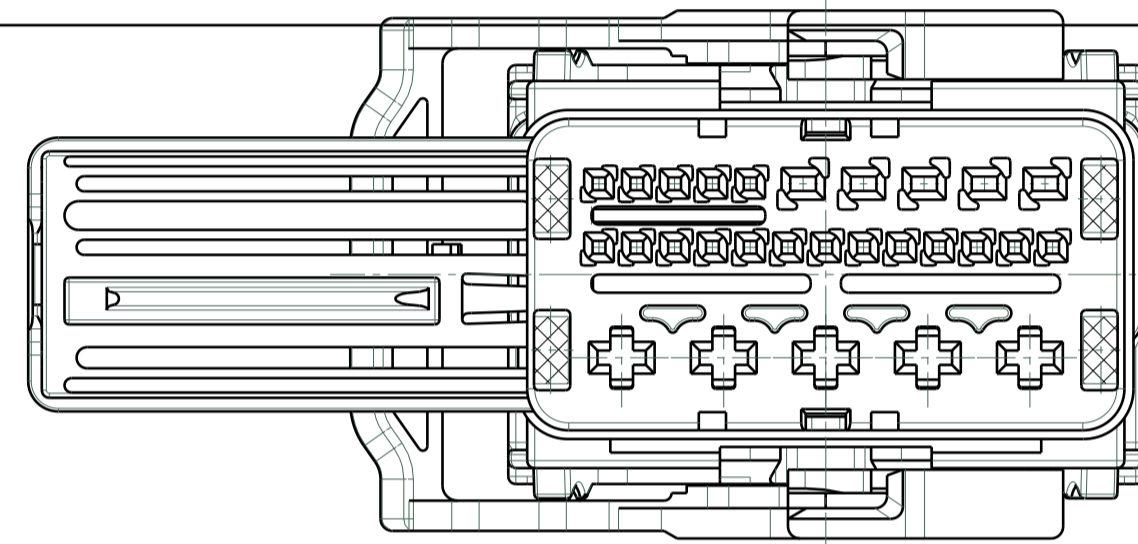
26 E $\begin{matrix} +0.1 \\ 0 \end{matrix}$ 28 E $\begin{matrix} +0.1 \\ 0 \end{matrix}$
25 A $\begin{matrix} 0 \\ -0.1 \end{matrix}$ B $\begin{matrix} 0 \\ -0.1 \end{matrix}$ 27



C-C
LOCKING LEVER NOT SHOWN

CONNECTOR OVERALL DIMENSIONS:
SECONDARY LOCKING FULLY OPENED
FOR TERMINAL INSERTION

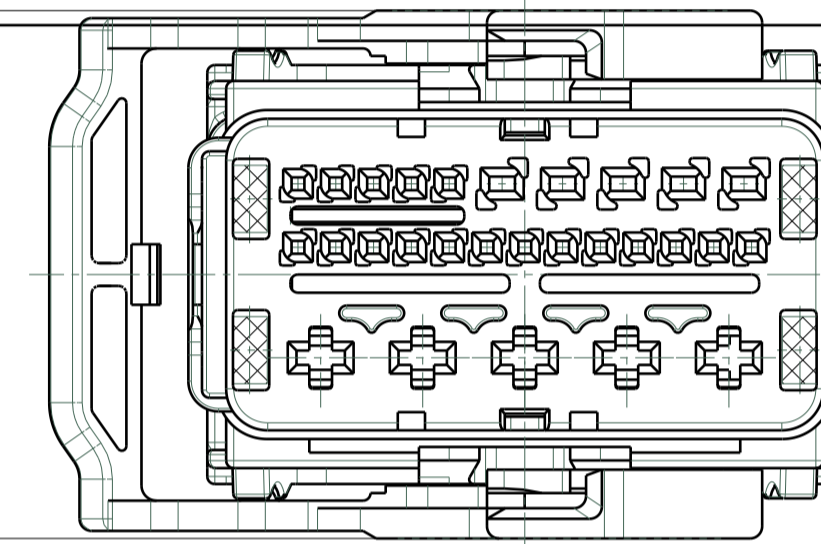
LEFT WIRE OUTPUT



CONNECTOR OVERALL DIMENSIONS:
SECONDARY LOCKING IN
DELIVERY POSITION

LEFT WIRE OUTPUT

35.25MAX
41



12.3MAX
43

53.2MAX 42

COLOR	KEYING	A	B	C	D	E
BLACK	1	8.4	4.8	8.4	4.8	1.8
GREY	2	8.4	6.6	6.6	6.6	1.8
BROWN	3	8.4	8.4	4.8	10.2	1.8

TERMINALS USED							
CAVITIES ID.	TERMINALS (Section mm ²)	REVEITEMENT PLATING	MOLEX P/N	WIRE SEAL	WIRE INSULATION DIAMETER		
6 to 23	CP 0.6 (0.35mm ² to 0.44mm ²)	Tin plated	0643221019		Ø1.25 min / Ø1.40 Max		
		Gold plated	0643221229				
	CP 0.6 (0.5mm ²)	Tin plated	0643221039			Ø1.40 min / Ø1.90 Max	
		Gold plated	0643221239			Ø1.40 min / Ø1.90 Max	
24 to 28	CP 0.6 (0.75mm ²)	Tin plated	0643221029		Ø1.40 min / Ø1.90 Max		
		Gold plated	0643221219				
	CP 1.5 (0.5mm ² to 1mm ²)	Tin plated	0643231029			Ø1.45 min / Ø2.15 Max	
		Gold plated	0643231319			Ø2.10 min / Ø2.80 Max	
1 to 5	CP 1.5 (>1mm ² to 2mm ²)	Tin plated	0643231039		Ø2.65 min / Ø3.45 Max		
		Gold plated	0643231219				
	CP 2.8 (>0.5mm ² to 1mm ²)	Tin plated	0643241049			0643251332	Ø1.40 min / Ø2.15 Max
		Gold plated	0643241149			0643251345	Ø2.10 min / Ø2.80 Max
	CP 2.8 (>1mm ² to 2mm ²)	Tin plated	0643241039			0643251358	Ø2.10 min / Ø2.80 Max
		Gold plated	0643241139			0643251366	Ø3.40 min / Ø4.00 Max
CP 2.8 (>2mm ² to 3mm ²)	Tin plated	0643241029	0643251358	Ø2.65 min / Ø3.45 Max			
	Gold plated	0643241129	0643251366	Ø3.40 min / Ø4.00 Max			
CP 2.8 (>3mm ² to 5mm ²)	Tin plated	0643241019	0643251366	Ø3.40 min / Ø4.00 Max			
	Gold plated	0643241119	0643251366	Ø3.40 min / Ø4.00 Max			

WIRE SEAL P/N UPD. EC NO: G2012-0068 DRAWN: PBOUSSAIN 2010/06/15 CHK'D: OPLESSIS 2011/11/17 APPR.: CBOUCHAN 2011/11/17	QUALITY SYMBOLS ▽=0 ▽=0	GENERAL TOLERANCES (UNLESS SPECIFIED)		DIMENSION STYLE MM ONLY	SCALE 2:1	DESIGN UNITS METRIC	FIRST ANGLE PROJECTION	
		mm	INCH	DRAWN BY TBADAROUX	DATE 2007/09/25	TITLE CMC CONNECTOR 28 CKT POWER MAT SEAL VERSION		
		4 PLACES ±	±	CHECKED BY OPLESSIS	DATE 2007/09/25	MOLEX MOLEX INCORPORATED		
		3 PLACES ±	±	APPROVED BY CBOUCHAN	DATE 2007/09/25	MATERIAL NO. SEE CHART	DOCUMENT NO. SD-64318-001	SHEET NO. 2 OF 2
DRAFT WHERE APPLICABLE MUST REMAIN WITHIN DIMENSIONS		SIZE A1	THIS DRAWING CONTAINS INFORMATION THAT IS PROPRIETARY TO MOLEX INCORPORATED AND SHOULD NOT BE USED WITHOUT WRITTEN PERMISSION					