

PLEASE CHECK WWW.MOLEX.COM FOR LATEST PART INFORMATION

Part Number: [0622030050](#)
Status: **Active**
Overview: [Application Tooling](#)
Description: Press-In Tool

Documents:

[RoHS Certificate of Compliance \(PDF\)](#)

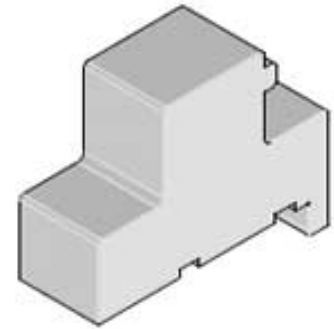
General

Product Family	Application Tooling
Series	207123
Comments	See Tooling Specification (PDF) Above, See Tooling Specification (PDF) Above
Function	Insertion
Geographic Area	Global
Level of Automation	Manual
More Detailed Tech Information	applicationtooling@molex.com
Overview	Application Tooling
Product Name	N/A
Tool Type	Press-Fit Insertion Tool
UPC	884982151512
Warranty Disclaimer	CAUTION: Molex tooling crimp specifications are valid only when used with Molex terminals and tooling manufactured by Molex and sold by Molex or authorized distributors ("Molex Tooling"). When using tooling other than Molex Tooling with Molex specific connector systems listed in our ATS documents, the Molex tooling qualification does not apply and the responsibility for full qualification of the connector system is that of the customer. Molex accepts no liability for connector performance or tooling support where tooling other than Molex Tooling is used or where Molex Tooling is modified.

Material Info

Reference - Drawing Numbers
[Application Tooling Documents](#)

ATS-622030050-001



Series image - Reference only

EU ELV

Not Reviewed

EU RoHS

Not Reviewed

REACH SVHC

Not Reviewed

Halogen-Free

Status

Not Reviewed

For more information, please visit [Contact US](#)

China ROHS

Not Reviewed

ELV

Not Reviewed

RoHS Phthalates

Not Reviewed

Search Parts in this Series

[207123 Series](#)

Use With

[76866 iPass+ HD \(High Density\), Integrated Cage and Connector Assembly, Right Angle, Press-Fit](#)

Application Tooling

FAQ

Description

Product #

iPass+ HD Cage and Receptacle 1x1, 0.76µm, Lead-Free [768661011](#)

iPass+ HD Cage and Receptacle 1x1, 0.76µm, Lead-Free

iPass+ HD Cage and Receptacle 1x4, 0.76µm, Lead-Free [768661013](#)

iPass+ HD Cage and Receptacle 1x4, 0.76µm, Lead-Free

iPass+ HD Cage and Receptacle 1x2, 0.76µm, Lead-Free [768661015](#)

iPass+ HD Cage and Receptacle 1x2, 0.76µm, Lead-Free

iPass+ HD Cage and Receptacle 1x2, 0.76µm, Lead-Free [768661121](#)

iPass+ HD Cage and Receptacle 1x2, 0.76µm, Lead-Free

iPass+ HD Cage and Receptacle with Light Pipes 1x1, 0.76µm, Lead-Free [768661123](#)

iPass+ HD Cage and Receptacle with Light Pipes 1x1, 0.76µm, Lead-Free

iPass+ HD Cage and Receptacle with Light Pipes 1x4, 0.76µm, Lead-Free [768661123](#)

iPass+ HD Cage and Receptacle with Light Pipes 1x4, 0.76µm, Lead-Free

iPass+ HD Cage and Receptacle with Light Pipes 1x4, 0.76µm, Lead-Free [768661123](#)

iPass+ HD Cage and Receptacle with Light Pipes 1x4, 0.76µm, Lead-Free

iPass+ HD Cage and Receptacle with Light Pipes 1x4, 0.76µm, Lead-Free [768661123](#)

iPass+ HD Cage and Receptacle with Light Pipes 1x4, 0.76µm, Lead-Free

iPass+ HD Cage and Receptacle with Light Pipes 1x4, 0.76µm, Lead-Free [768661123](#)

iPass+ HD Cage and Receptacle with Light Pipes 1x4, 0.76µm, Lead-Free

iPass+ HD Cage and [768661125](#)
Receptacle with Light
Pipes 1x2, 0.76 μ m,
Lead-Free

This document was generated on 03/26/2019

PLEASE CHECK WWW.MOLEX.COM FOR LATEST PART INFORMATION