

Type PMA-KB-07-Q1R Panel Mount Fuse Holder 1/4" x 1 1/4" (6.3 x 32mm) Fuses Knob / Bayonet – Color Cap



www.optifuse.com

(619) 593-5050

Electrical Rating: 10A, 250V AC
Fuse Style: 1/4" x 1 1/4" (6.3 x 32mm)

Material:

Frame and Cap: PBT (UL flame: 94V-0)

Terminals: Tin-plated brass

Cap: Knob type, Bayonet type

Cap Colors: Green, Blue, Red, Gold or Black

Mounting: by nut

Terminal: Solder/Quick-Connect 4.8mm / 0.187"

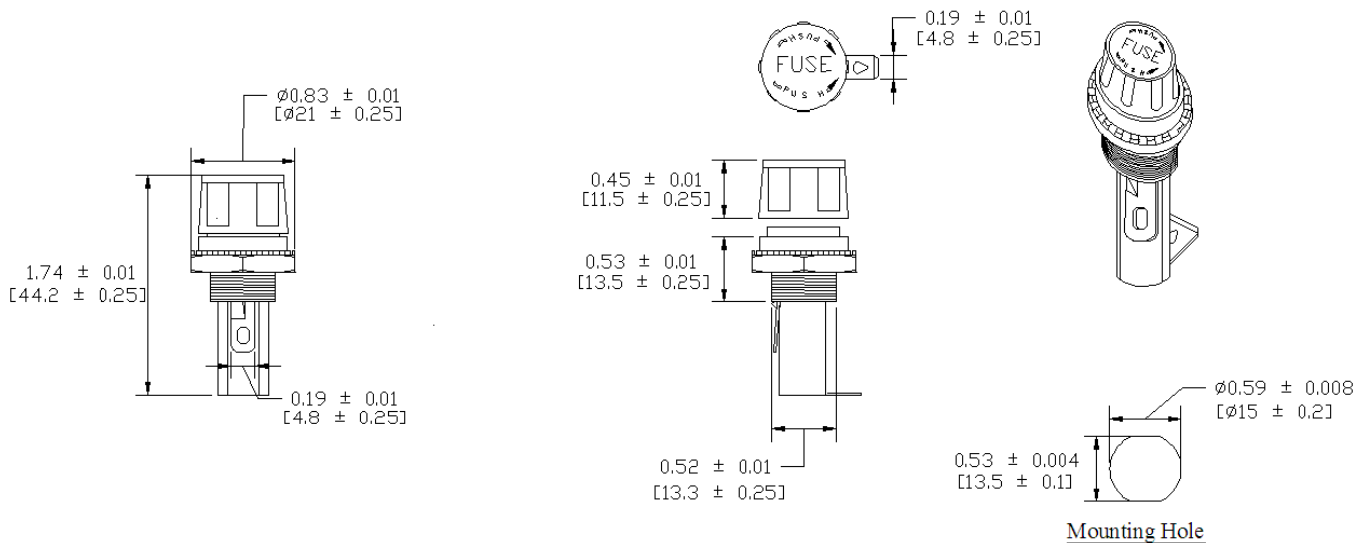
Panel Thickness: 0.5 ~ 4.5mm

Agency Standards and Listings:



Part Number	Cap Color
PMA-KB-07-Q1R-GN	Green
PMA-KB-07-Q1R-BL	Blue
PMA-KB-07-Q1R-RD	Red
PMA-KB-07-Q1R-GO	Gold
PMA-KB-07-Q1R-BK	Black

Product Dimensions: Inches [mm]



Warning:



- Operation beyond the specified maximum ratings or improper use may result in damage and possible electrical arcing and/or flame.
- Fuse Holders are not intended for circuit disconnect. All power should be disconnected before removing fuse.
- Avoid contact of Fuse Holder with chemical solvent. Prolonged contact may damage the device performance.