

SUMMARY



Image is for illustrative purpose only

Wires

Triax 1

Series	3E
Termination type	Female solder
IP rating	68
AWG wire size	0.00 - 0.00
Cable Ø	2.60 - 15.00 mm
Status	active

Download

[Request a quote](#)

[Catalog](#)

TECHNICAL DETAILS

Mechanics

Shell Style/Model	EEL*: Fixed receptacle, nut fixing (back panel mounting)
Keying	Circular, female
Housing Material	Brass (chrome plated [SAE AMS 2460]) shell and collet nut, nickel plated [SAE AMS QQ N 290] brass latch sleeve and mid pieces
Weight	63.62 g

Performance

Configuration	3E.675 : 1 Triax (75 Ohm)
Insulator	T: PTFE
Rated Current	6 Amps

Specifications

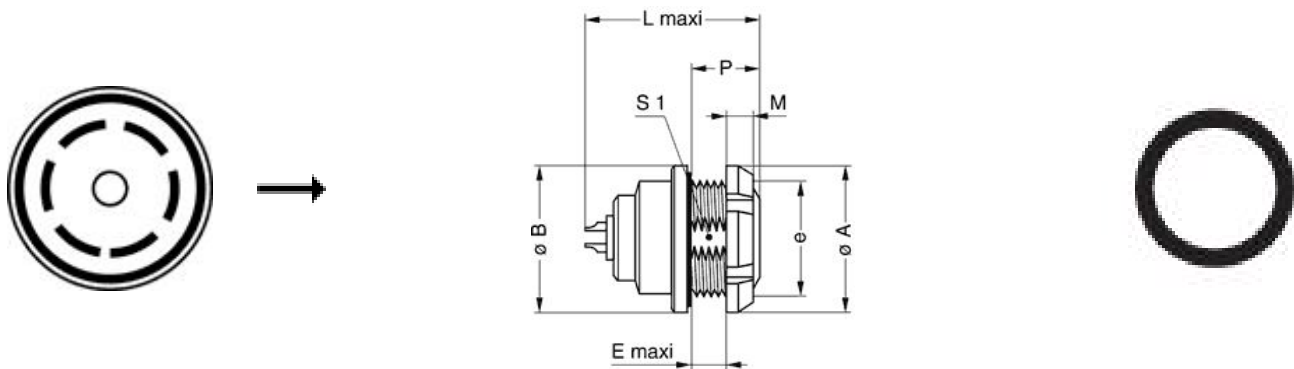
Contact Type: Triaxial 75 Ohm (Solder)
Contact Dia.: 0.9 mm (0.035in)
Vtest: 1200 V (AC), 1690 V (DC)
Impedance: 75 Ohm
VSWR: 1.02 + 0.05 * f/GHz
Cable type: Belden 8215,8232A,HF-2426,Triax 8 Nokia,375 029 LEDE, Belden 9267

Others

LEMO products and services are provided "as is". LEMO makes no warranties or representations with regard to LEMO product & services or use of them, express, implied or statutory, including for accuracy, completeness, or security. The user is fully responsible for his products and applications using LEMO components.

Endurance (Shell): 5000 mating cycles
 Temp (min / max): -55°C / +200°C
 Humidity (max): <=95% [at 60 deg C / 140 F]
 Vibration: 15 g [10 Hz - 2000 Hz]
 Shock Resistance: 100 g [6 ms]
 Climatical Category: 50/175/21
 Shielding (min): 95 dB (10 MHz)
 Shielding (min): 80 dB (1 GHz)
 Salt Spray Corrosion: >1000 hr

DRAWINGS



Dimensions

	A	B	E	L	M	P	S1	e
mm.	30	31	7.5	34	4.5	12	22.5	M24x1.0
in.	1,18	1,22	0,30	1,34	0,18	0,47	0,89	

RECOMMENDED BY LEMO

Tools

Cables

LEMO products and services are provided "as is". LEMO makes no warranties or representations with regard to LEMO product & services or use of them, express, implied or statutory, including for accuracy, completeness, or security. The user is fully responsible for his products and applications using LEMO components.

LEMO products and services are provided "as is". LEMO makes no warranties or representations with regard to LEMO product & services or use of them, express, implied or statutory, including for accuracy, completeness, or security. The user is fully responsible for his products and applications using LEMO components.