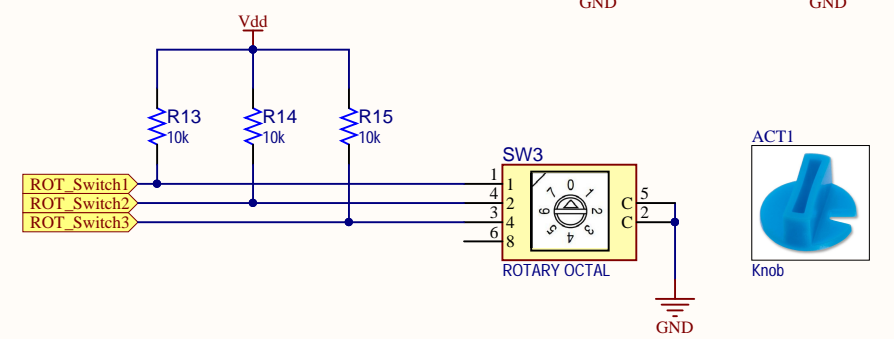
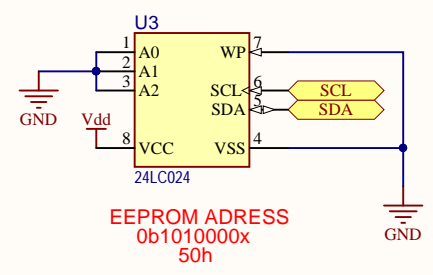
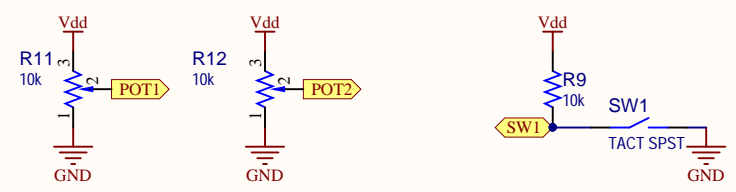
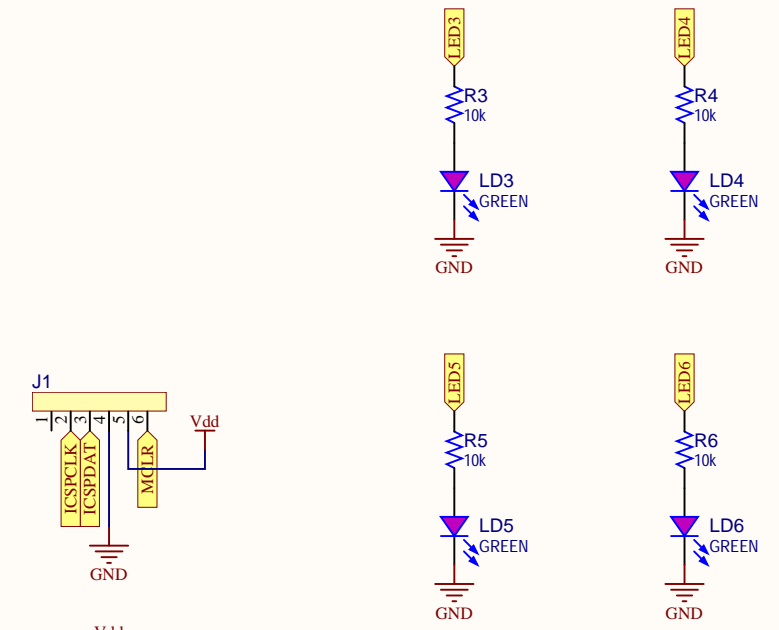
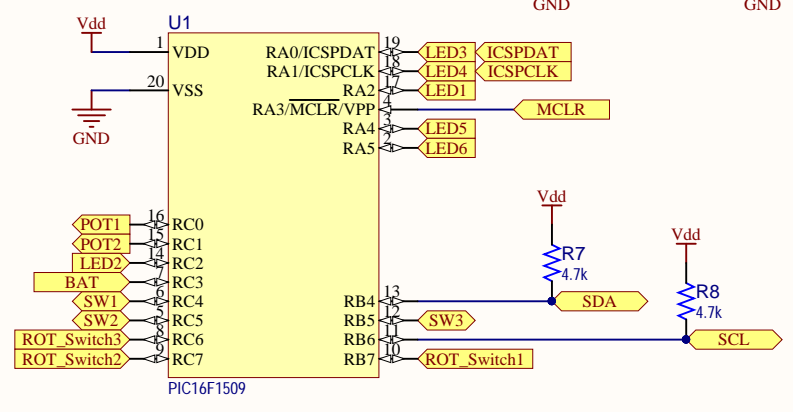
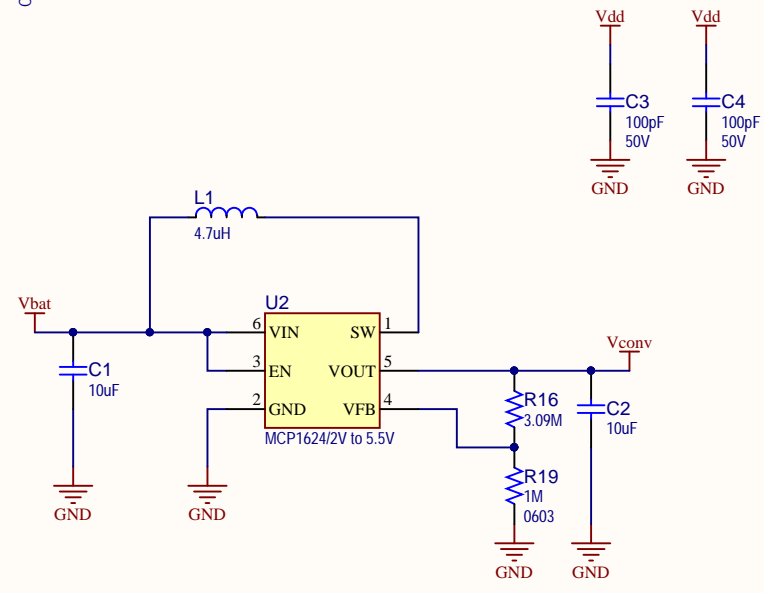
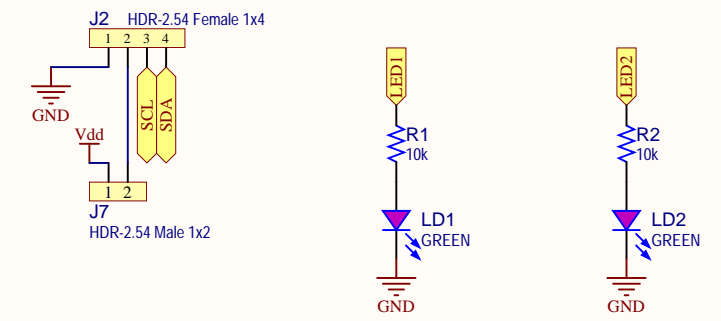
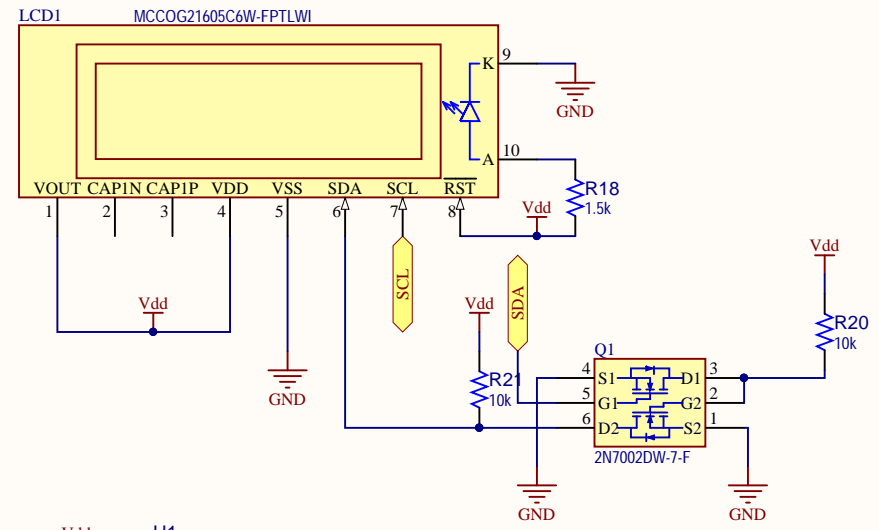
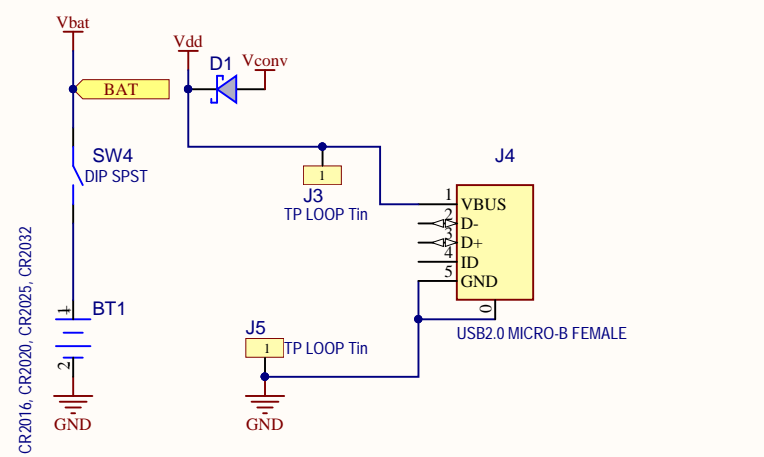


REV	ECO#	DESCRIPTION	DATE



Drawn By: Catalin Bibirica	
Engineer: Catalin Bibirica	
PartNumber: ADM00760	Project Title MIC7400/1 Programming Board
Sheet Title MIC7400/1 Programming Board	Designed with
Size B	Sch #03-10576 Date: 5/19/2017 3:35:04 PM
Revision:2	Sheet 1 of 1
File: MIC7400_control_board.SchDoc	

Need Help?
http://support.microchip.com