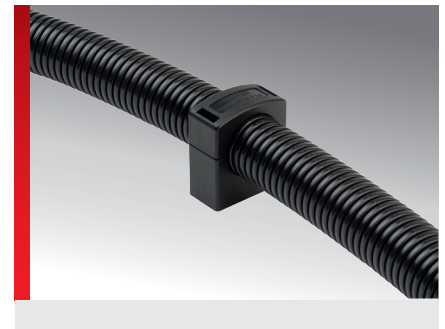
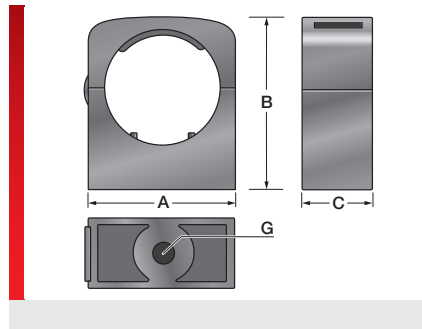
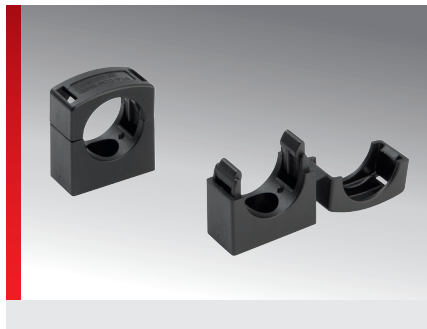


## Type UHE



Conduit holder

### PRODUCT INFORMATION

The UHE holder is a one-piece corrugated pipe holder in which the lid is connected to the holder by a film hinge. It is manufactured from a specially modified Polyamide. The material is halogen, phosphor and cadmium-free. The holder is used to fix cable protection conduits to equipment and machinery.

The UHE holder features the following advantages:

- Quick assembly thanks to single-hole fixing
- Protective conduits only need to be

snapped on, which makes them excellent for overhead installations.

- Optimum connection of conduit to holder thanks to double webs of holder
- Optimised axial strain relief of the corrugated conduit achieved with integrated double webs
- Highest degree of retention power.
- Suitable for all Murrflex corrugated conduit profiles.

Specification:

- EN 45545-2 3x HL3

### SPECIFICATIONS

	mod. polyamide PA 6
	-40 – 110 °C short term 140 °C
	acc. to UL94 V0 self-extinguishing

Type	Order No.	Colour	G Suitable for	A mm	B mm	C mm	VPE qty.
UHE P07	83621850	Black	M4	17.00	21.50	15.00	100
UHE P09	83621852	Black	M5	20.50	24.50	15.00	100
UHE P11	83621854	Black	M5	24.00	27.00	15.00	100
UHE P16	83621856	Black	M6	30.00	33.00	15.00	100
UHE P21	83621858	Black	M6	38.50	42.00	15.00	100
UHE P29	83621860	Black	M6	45.50	48.00	15.00	50
UHE P36	83621862	Black	M6	55.50	56.00	15.00	50
UHE P48	83621864	Black	M6	67.50	68.00	15.00	50

### MATERIAL PROPERTIES

mod. polyamide PA 6

### THERMAL PROPERTIES

**Temperature / temperature range**  
-40 – 110 °C short term 140 °C

## Type UHE

### FIRE PROPERTIES

**Fire classification**

acc. to UL94 V0 self-extinguishing

**Fire properties as per EN 45545-2**

C.I.T. R22 / R23 HL3 = 0.45

LOI R22 / R23 HL3 = 34,9 %

Ds (max.) R22 / R23 HL3 = 127

### TECHNICAL INFORMATION



**HF** Halogen-free

### CONFORMITY



**RoHS** RoHS (EC Directive 2011/65/EU)

### APPROVALS AND OPERATING PERMITS

**EU railway approval**

EN 45545-2 R22/R23 3x HL3



**Made in Germany**

All details given in our sales brochures and catalogues, as well as the information available online, are based on our current knowledge of the products described.

The electronic data and files made available by Murrplastik, particularly CAD files are based on our current knowledge of the product described.

A legally binding assurance of certain properties or the suitability for a certain purpose can not be determined from this information.

All information with respect to the chemical and physical properties of Murrplastik products, as well as application advice given verbally, in writing or by tests, is given to the best of our knowledge.

They do not release the buyer from the obligation to carry out his own tests and trials in order to determine the concrete suitability of the products for the intended purpose.

Murrplastik accepts no responsibility for the available information being up-to-date, correct or complete. Neither do we accept responsibility for the quality of this information.

Murrplastik accepts no liability for damage caused as a result of using our products.

Murrplastik reserves the right to make technical changes and improvements through constant further development of products and services.

Our General Terms and Conditions apply.

© Murrplastik Systemtechnik GmbH • proID\_125932~20200224~890283~suv\_uh\_e