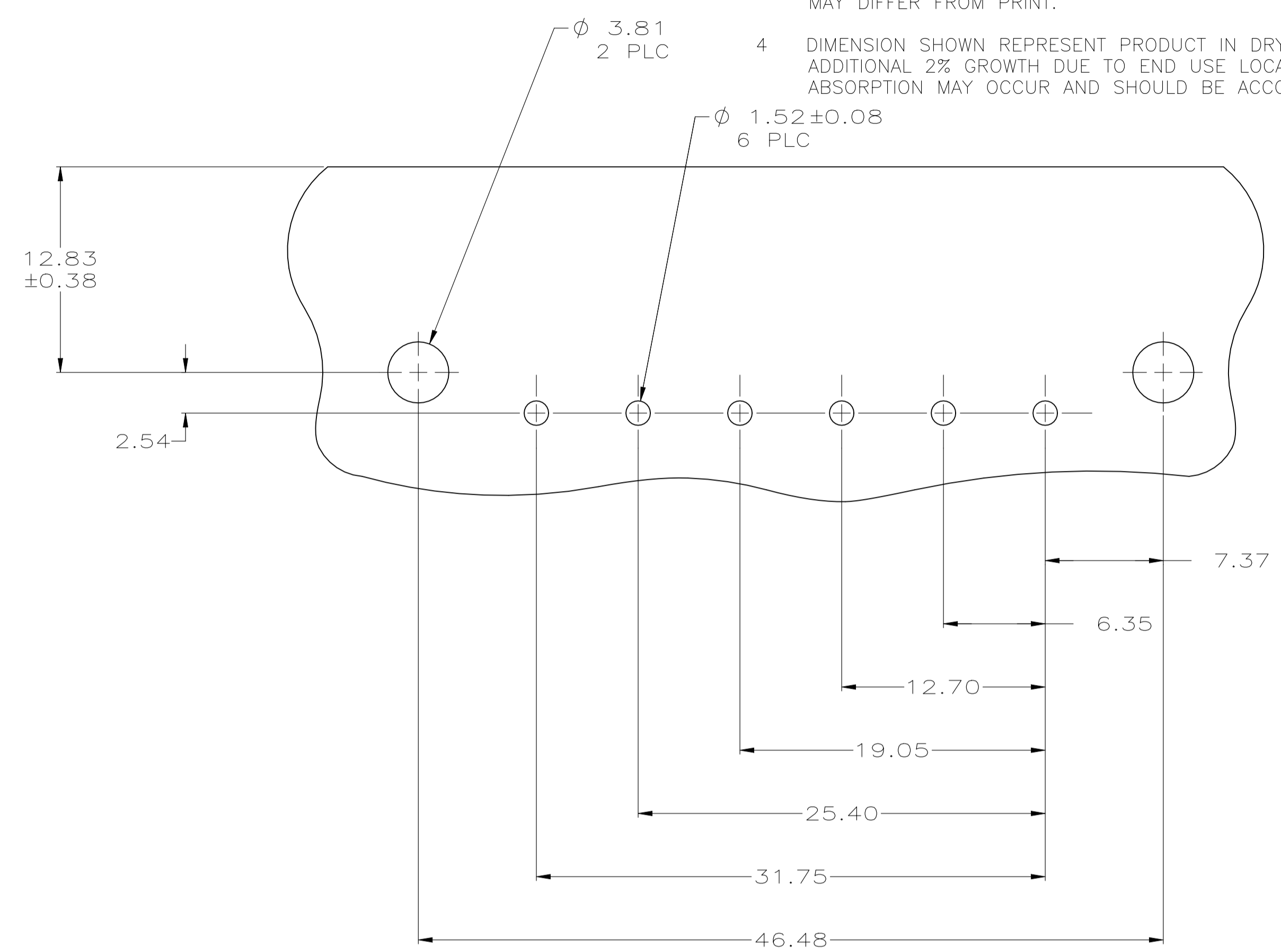
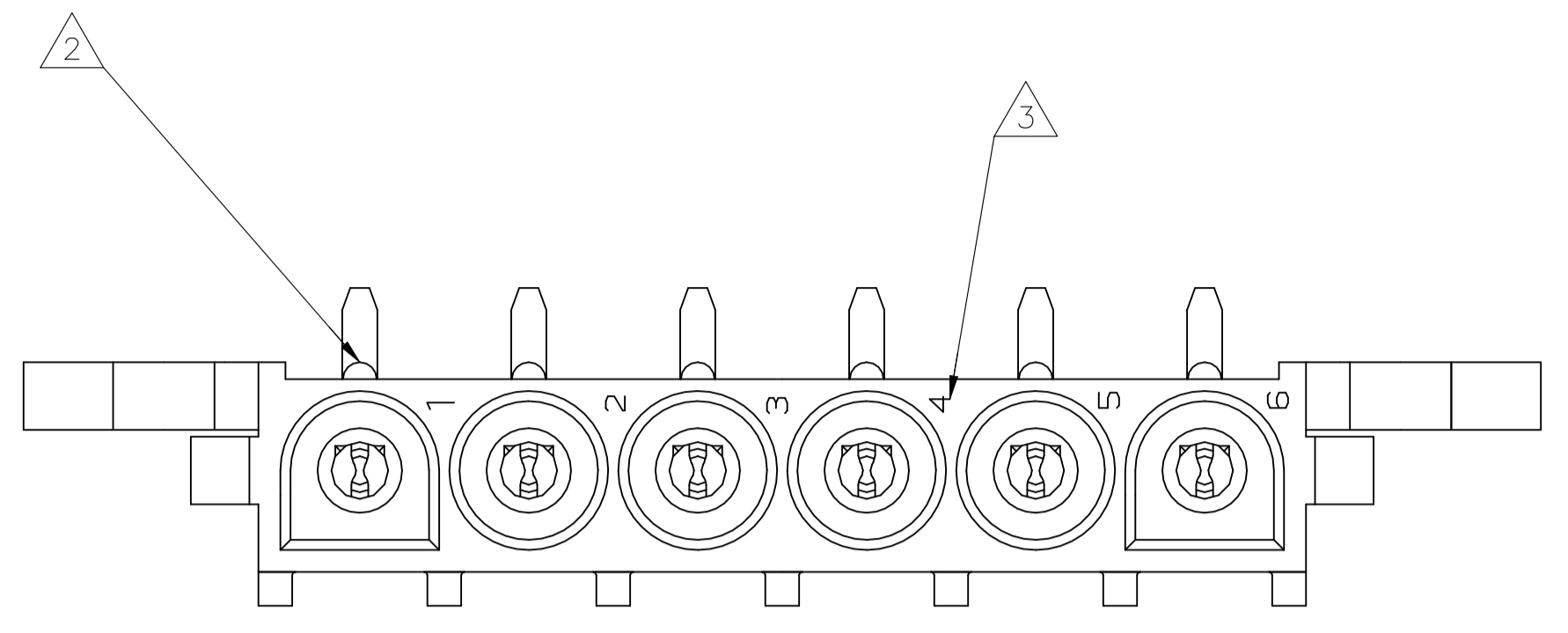
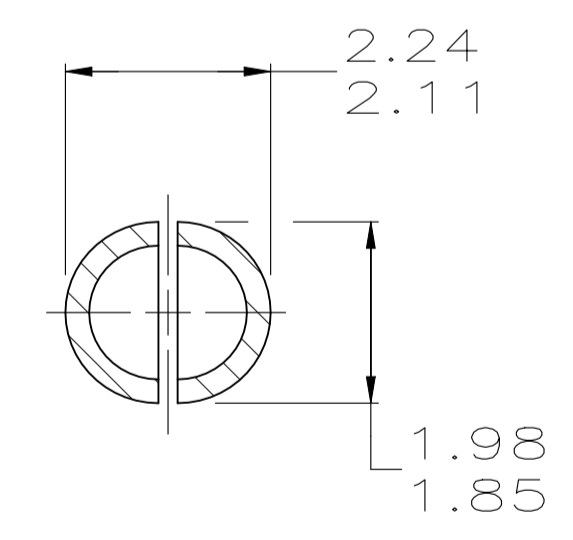
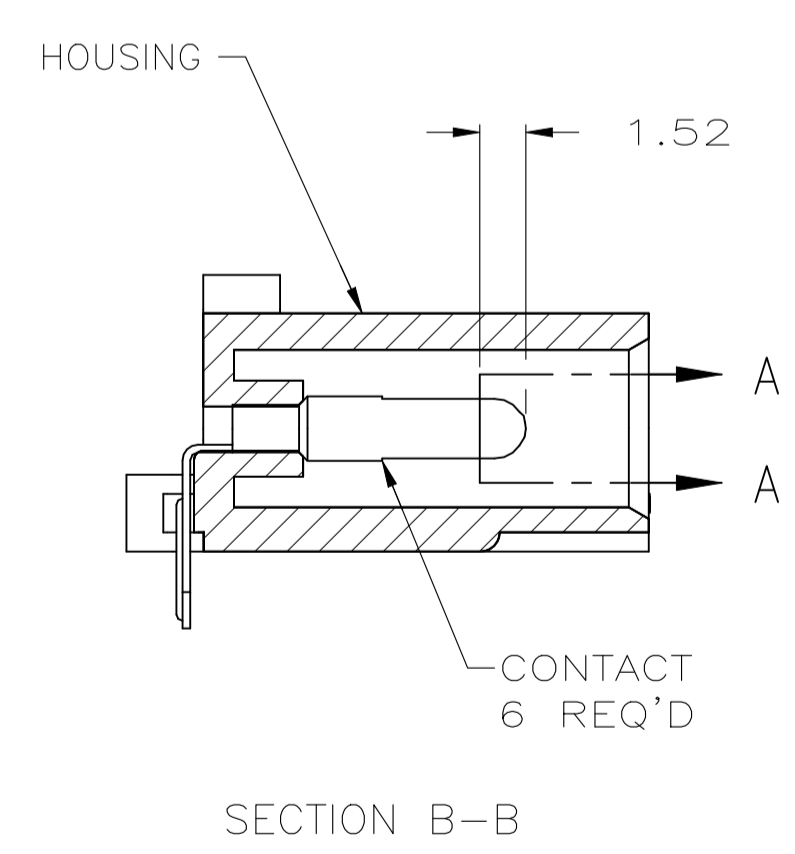
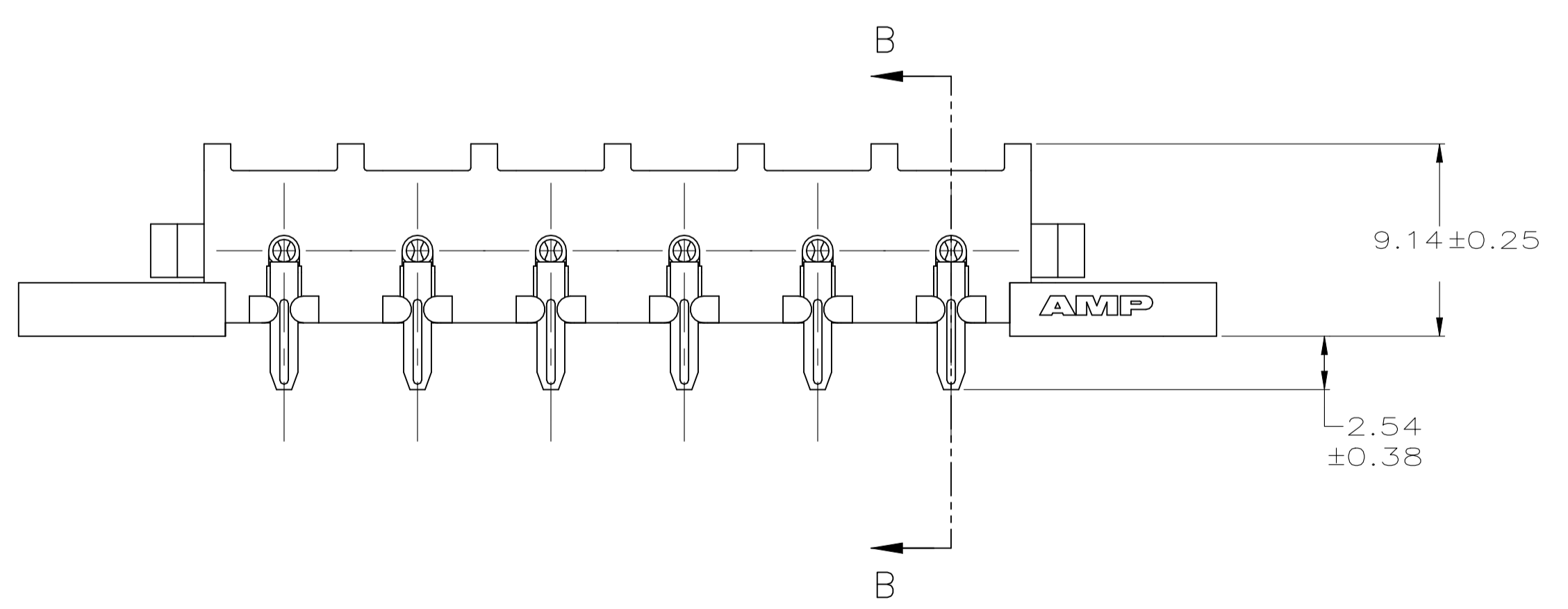
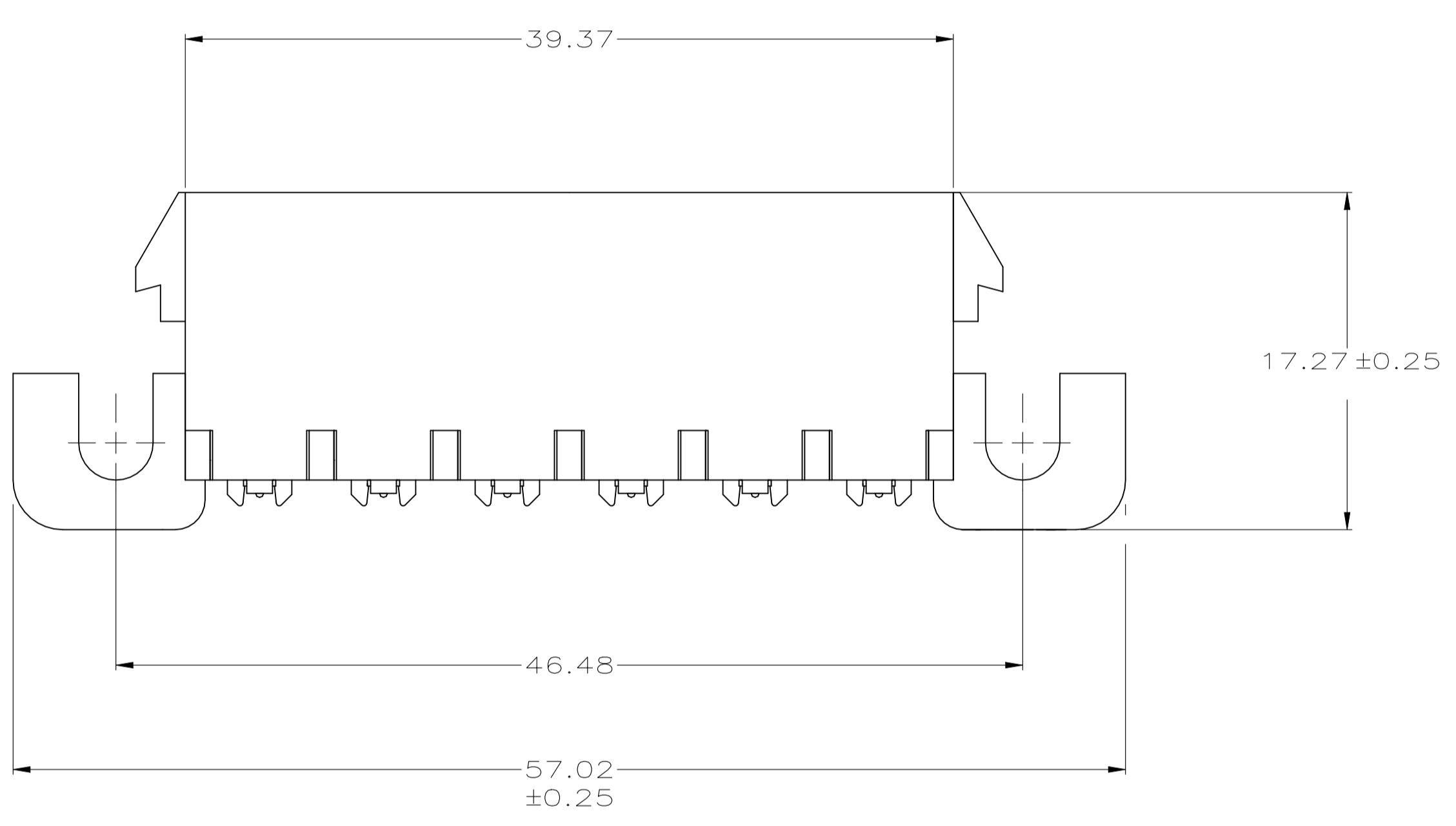


LOC	DIST	REVISIONS			
REV	DATE	DESCRIPTION	DATE	BY	APP'D
D1	01AUG2022	REVISED PER ECR-21-117154		PJ	VS

- PARTS COMPLY WITH AMP SOLDERABILITY SPEC 109-11-5.
- OPTIONAL CONSTRUCTION MAY DELETE THIS RIB.
- CIRCUIT IDENTIFICATION CHARACTERS ARE ADJACENT TO THE INDICATED CAVITIES, BUT LOCATION AND ORIENTATION MAY DIFFER FROM PRINT.
- DIMENSION SHOWN REPRESENT PRODUCT IN DRY CONDITION. ADDITIONAL 2% GROWTH DUE TO END USE LOCATION MOISTURE ABSORPTION MAY OCCUR AND SHOULD BE ACCOUNTED FOR.



RECOMMENDED MOUNTING HOLE PATTERN FOR 1.57 THICK P.C. BOARD



SECTION A-A SCALE 10:1

MM	IN	MM	IN	MM	IN
1.98	.078	12.70	.500	57.02	2.245
1.85	.073	9.14	.360	46.48	1.830
1.57	.062	7.37	.290	39.37	1.550
1.52	.060	6.35	.250	31.75	1.250
0.38	.015	3.81	.150	25.40	1.000
0.25	.010	2.54	.100	19.05	.750
0.13	.005	2.24	.088	17.27	.680
0.08	.003	2.11	.083	12.83	.505

CONVERSION TABLE

PH BRZ PRE-TIN	NYLON, UL94V-2,GRAY	794368-2
OBSOLETE PH BRZ PRE-TIN	NYLON, UL94V-2,BLUE	794368-1
CONTACT	HOUSING	PART NO

THIS DRAWING IS A CONTROLLED DOCUMENT.

DIN K. WHITAKER 4-24-97  
 CJK R. SWING 4-24-97  
 M. TRULL 5-13-97

TE Connectivity

PIN HEADER ASSEMBLY, RIGHT ANGLE MOUNT, 6 POSITION, UNIVERSAL MATE-N-LOK™

SIZE: A1 CAGE CODE: 00779 DRAWING NO: 794368 RESTRICTED TO: —

WEIGHT: —

CUSTOMER DRAWING SCALE: 4:1 SHEET: 1 OF 1 REV: D1