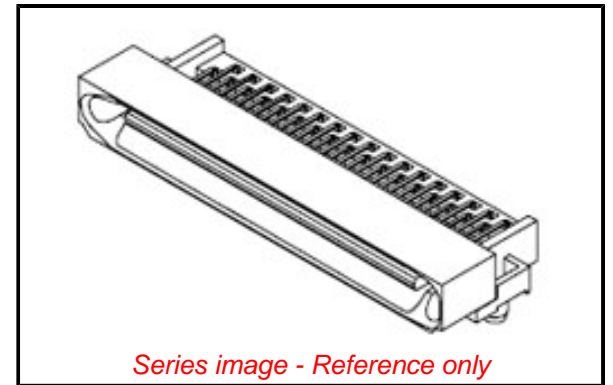


PLEASE CHECK WWW.MOLEX.COM FOR LATEST PART INFORMATION

Part Number: [0716612568](#)
Status: **Active**
Overview: [EBBI 50D Connector System](#)
Description: 1.27mm Pitch EBBI 50D Plug, Right-Angle, Blind Mate, 68 Circuits, 2.79mm PC Tail Length

Documents:

3D Model	Product Specification PS-71660-001 (PDF)
Drawing (PDF)	Packaging Specification PK-70873-084X-001 (PDF)
3D Model (PDF)	RoHS Certificate of Compliance (PDF)
Product Specification PS-71660 (PDF)	



Agency Certification

CSA	LR19980
UL	E29179

General

Product Family	PCB Headers
Series	71661
Application	Board-to-Board, Signal, Wire-to-Board
Overview	EBBI 50D Connector System
Product Name	EBBI
UPC	800754352024

Physical

Breakaway	No
Circuits (Loaded)	68
Circuits (maximum)	68
Color - Resin	Black
Durability (mating cycles max)	2000
First Mate / Last Break	No
Flammability	94V-0
Glow-Wire Capable	No
Guide to Mating Part	Yes
Keying to Mating Part	None
Lock to Mating Part	None
Material - Metal	Brass
Material - Plating Mating	Gold
Material - Plating Termination	Tin
Material - Resin	High Temperature Thermoplastic
Net Weight	5.847/g
Number of Rows	2
Orientation	Right Angle
PC Tail Length	2.79mm
PCB Locator	Yes
PCB Retention	Yes
PCB Thickness - Recommended	1.60mm
Packaging Type	Tray
Pitch - Mating Interface	1.27mm
Pitch - Termination Interface	1.27mm
Plating min - Mating	0.762µm
Plating min - Termination	1.270µm
Polarized to Mating Part	Yes
Polarized to PCB	Yes
Shrouded	Fully
Stackable	No
Surface Mount Compatible (SMC)	No

EU ELV

Not Relevant

EU RoHS

Compliant

REACH SVHC

Not Contained Per -
D(2020)9139-DC (19
Jan 2021)

Halogen-Free

Status

Low-Halogen

For more information, please visit [Contact US](#)

China ROHS

ELV

RoHS Phthalates

Green Image

Not Relevant

Not Contained

Search Parts in this Series

[71661](#) Series

Mates With

EBBI 50D Receptacle [71660](#) , [87537](#)

Temperature Range - Operating -40° to +105°C
Termination Interface: Style Through Hole

Electrical

Current - Maximum per Contact 1.0A
Voltage - Maximum 30V

Solder Process Data

Lead-free Process Capability SMC&WAVE
Process Temperature max. C 235

Material Info

Reference - Drawing Numbers

Packaging Specification PK-70873-084X-001
Product Specification PS-71660, PS-71660-001
Sales Drawing SDA-71661-25XX-001

This document was generated on 03/01/2021

PLEASE CHECK WWW.MOLEX.COM FOR LATEST PART INFORMATION