

NOTES:

1. MATERIALS AND FINISHES:

- HOUSING - BRASS, GOLD PLATING
- FERRULE - COPPER, GOLD PLATING
- BODY - BERYLLIUM COPPER, GOLD PLATING
- CONTACT - BRASS, GOLD PLATING
- INSULATOR - PTFE, NATURAL

2. ELECTRICAL:

- A. IMPEDANCE: 50 OHM, NOMINAL
- B. FREQUENCY RANGE: 0-6 GHz
- C. VSWR (RETURN LOSS): 1.060 (-30.7 dB) MAX. @ 0-2.5 GHz
- D. D.W.V: 1000 VRMS, MIN.

3. MECHANICAL:

- A. DURABILITY: 500 CYCLES MIN.
- B. TEMPERATURE RANGE: -55°C TO +155°C

4. CRIMPED FERRULE HEX CRIMP SIZE .128"

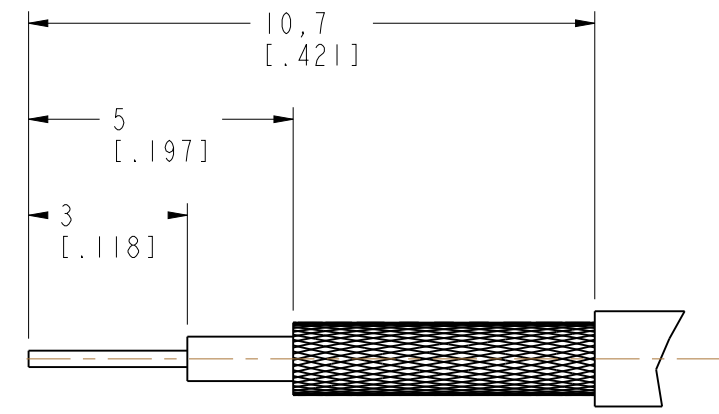
5. CONTACT PIN TO SOLDER

6 SHOWS CABLE ENTRY DIMENSIONS.

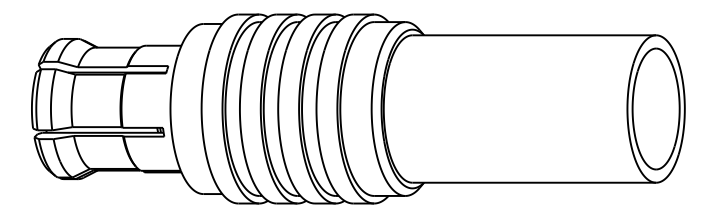
THIRD ANGLE PROJ.

REVISIONS

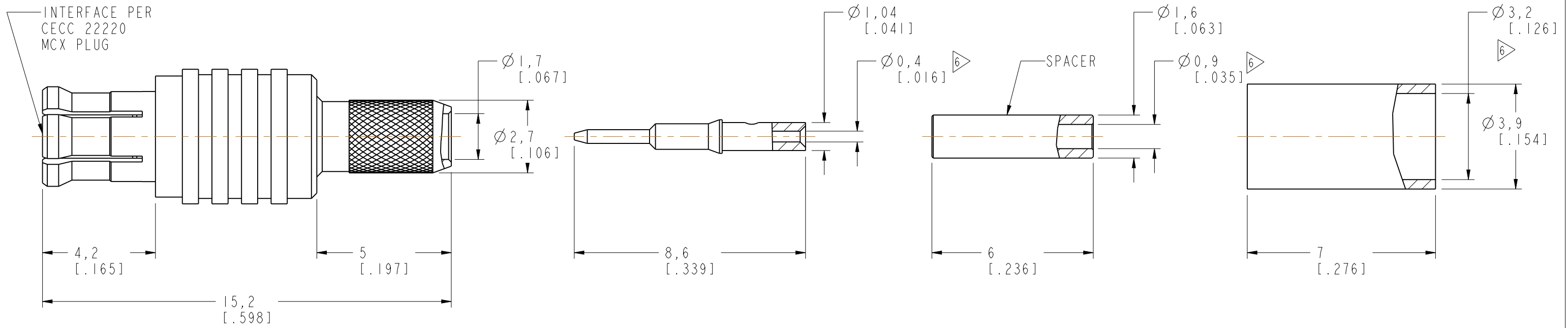
REV	DESCRIPTION	DATE	ECO	APPR
A	RELEASE TO MFG.	04-Sep-06	-----	GEFFERY
B	A) 15.2, 5, 8.6 WERE: 14.7, 4.5, 8.10 B) ADDED SPACER, C) ADDED NOTES	19-Sep-14	2794	MZ/BCG
C	11 WAS 10.5	08-Apr-15	50483	MZ



RECOMMENDED CABLE STRIPPING DIM'S



SCALE 5.000



**CUSTOMER OUTLINE DRAWING**  
ALL OTHER SHEETS ARE FOR INTERNAL USE ONLY

<p>UNLESS OTHERWISE SPECIFIED, DIMENSIONS ARE IN METRIC AND TOLERANCES ARE:                  &lt;0.5mm ±0.05mm    0.5 - 6mm ±0.1mm    6 - 30mm ±0.2mm    30 - 120mm ±0.3mm    ANGLES ±1°</p> <p>NOTICE - These drawings, specifications, or other data (1) are, and remain the property of Amphenol corp. (2) must be returned upon request; and (3) are confidential and not to be disclosed to any person other than those to whom they are given by Amphenol Corp. the furnishing of these drawings, specifications, or other data by Amphenol Corp., or to any other person to anyone for any purpose is not to be regarded by implication or otherwise in any manner licensing, granting rights to permitting such holder or any other person to manufacture, use or sell any product, process or design, patented or otherwise, that may in any way be related to or disclosed by said drawings, specifications, or other data.</p>	MATERIAL	DRAWN R.MAO	DATE 08-Apr-15	TITLE MCX CRIMP PLUG (FOR RG-178B/U, 196A/U CABLE)		Amphenol Connex	
	REFERENCE MCX1121A1-009-3GT30G-50	ENGINEER S.DUAN	DATE 08-Apr-15				
	CONFIGURATION LEVEL: In Work	APPROVED S.HSIEH	DATE 08-Apr-15	SCALE: 7.0:1.0	SHEET 3 OF 3	ITEM NO. 252127	
	FINISH	CAD FILE	DWG SIZE B	REV C	PART NO. 252127		