

SW15
width across
flats: 15

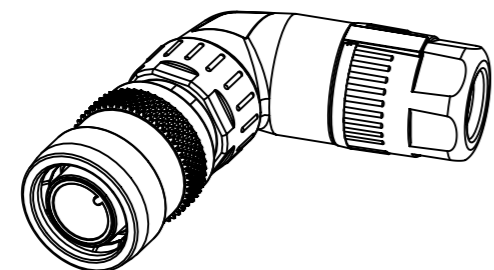
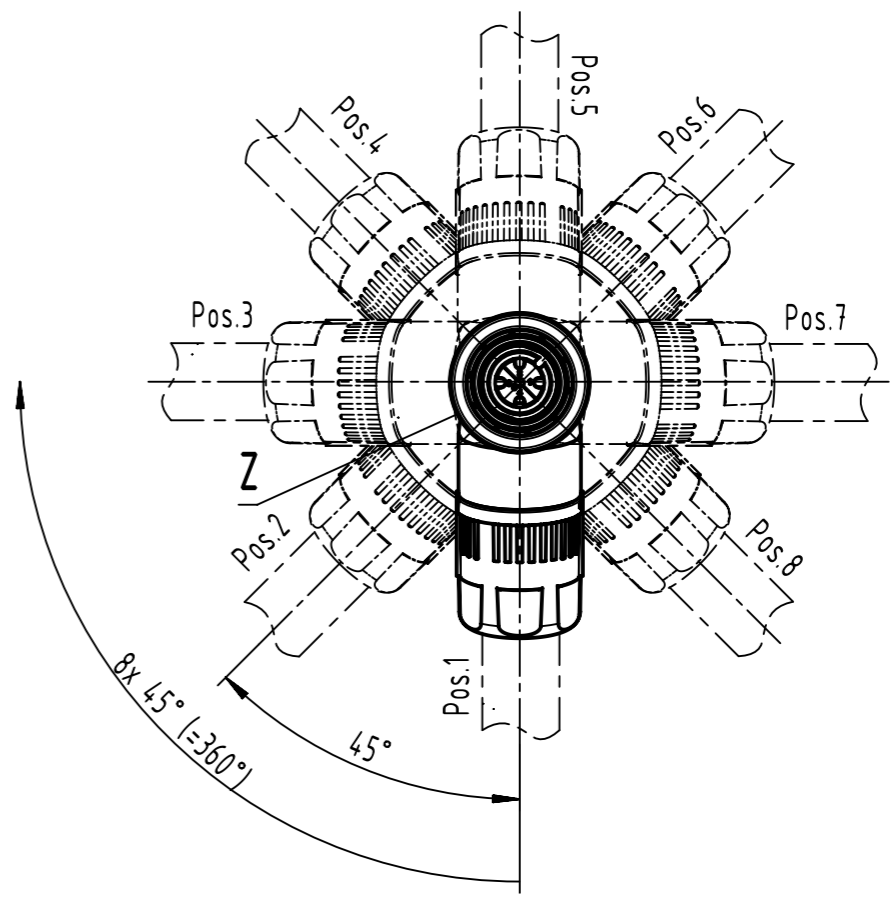
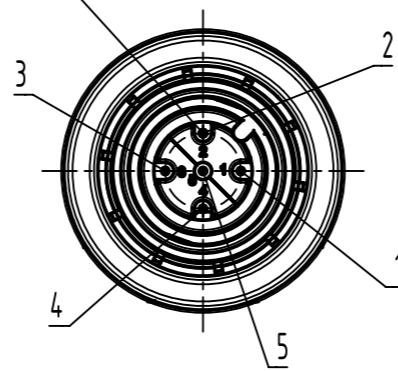
Ø16,7

length when assembled app. 43

SW16
width across
flats: 16

assembly aid enclosed

Z (2:1)
contact face acc. to
IEC 61076-2-101



order contacts separately

cable Ø	wire gauge	contact part-no.
5,7-8,8mm	AWG 26-22	09 67 000 5576
	AWG 24-20	09 67 000 8576
	AWG 22-18	09 67 000 3576

	All rights reserved	Created by BALSAN	Inspected by PRIESTER	Standardisation 302077	Date 2021-04-15	State Final Release
	Department EL PD	Title M12 PushPull A-cod 5-pol male angled				Doc-Key / ECM-Nr. 100682330/UGD/003/G 500000193229
HARTING D-32339 Espelkamp		Type TB	Number 21038213530		Rev. G	Page 1/1