



RELEASE PAPER

4.80 mm WITH SOLDER PASTE MAX  
(INCLUDE PCB)

( 30.00 )

( 70.00 )

( 120.00 )

VERTICAL DIRECTION  
SEE NOTE 3

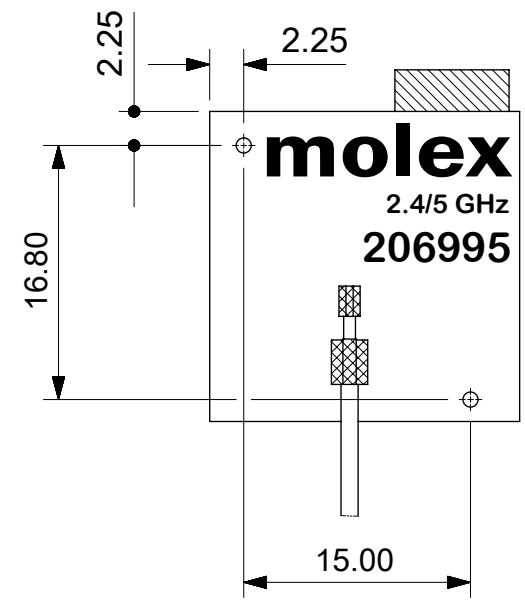
20.50

20.50

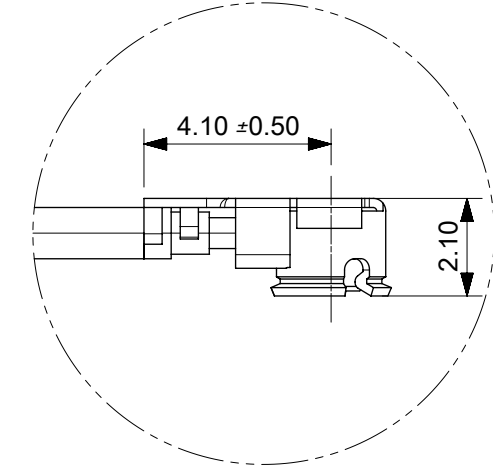
150.00 ±2.00

141.05 ±2.00

( 3.00 )



DETAIL A SCALE 2:1  
ANTENNA



DETAIL B SCALE 6:1  
CONNECTOR

NOTES:

1. 2 HOLE SIZE:  $\phi 1$ mm
2. FOR PULL TEST, CAN NOT LIFT UP IN THE VERTICAL DIRECTION.
3. ON-RING SPACER SIZE: LINE DIAMETER 3mm.
4. CONNECTOR MATING RECEPTACLE I-PEX P/N:20279-001E-01.

SYMBOLS	THIS DRAWING CONTAINS INFORMATION THAT IS PROPRIETARY TO MOLEX ELECTRONIC TECHNOLOGIES, LLC AND SHOULD NOT BE USED WITHOUT WRITTEN PERMISSION		CURRENT REV DESC:			<b>molex</b>		
	▽ = 0	mm						
▽ = 0	GENERAL TOLERANCES (UNLESS SPECIFIED)		EC NO: 612121			PRODUCT CUSTOMER DRAWING		
▽ = 0	ANGULAR TOL ± °		DRWN: KCHENG06 2019/02/15			DOCUMENT NUMBER		
▽ = 0	4 PLACES ±		CHK'D: XJSONG 2019/03/04			DOC TYPE		
▽ = 0	3 PLACES ±		APPR: XJSONG 2019/03/04			DOC PART		
▽ = 0	2 PLACES ± 0.2		INITIAL REVISION:			REVISION		
▽ = 0	1 PLACE ± 0.3		DRWN: KCHENG06 2018/08/25			2069950150		
▽ = 0	0 PLACES ±		APPR: CZHOU05 2018/09/06			PSD		
□ = 0	DRAFT WHERE APPLICABLE MUST REMAIN WITHIN DIMENSIONS		THIRD ANGLE PROJECTION		DRAWING		SERIES	
▽ = 0			A3-SIZE		206995		MATERIAL NUMBER	
					CUSTOMER		SHEET NUMBER	
					GENERAL MARKET		2 OF 2	