

MATERIAL NO.	ENGINEERING NO.	FINISHED LENGTH	POLES	CABLE DIA.
1300630040	C03006A48M010	1 M (3 FT 3.37 IN)	3	0.70 [17.8]
1300630165	C04006A48M500	50 M (164 FT 0.50 IN)	4	0.78 [19.7]
1300632012	C04006A48M750	75 M (246 FT 0.76 IN)	4	0.78 [19.7]

CABLE LENGTH TOLERANCES

<.3M [1FT]: +19mm-0 [+.75in-0]

.3 - .9M [1 - 3FT]: +44.5mm-0 [+1.75in-0]

.9 - 1.8M [3 - 6FT]: +55.6mm-0 [+2.19in-0]

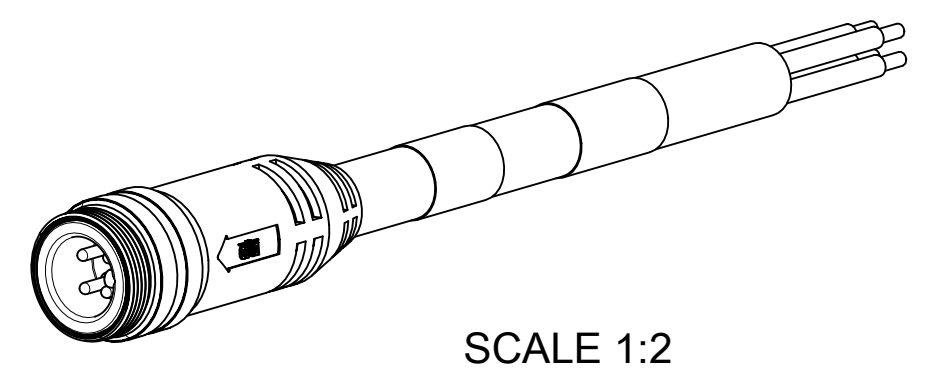
1.8 - 3.7M [6 - 12FT]: +88.9mm-0 [+3.50in-0]

3.7 - 7.3M [12 - 24FT]: +165.1mm-0 [+6.50in-0]

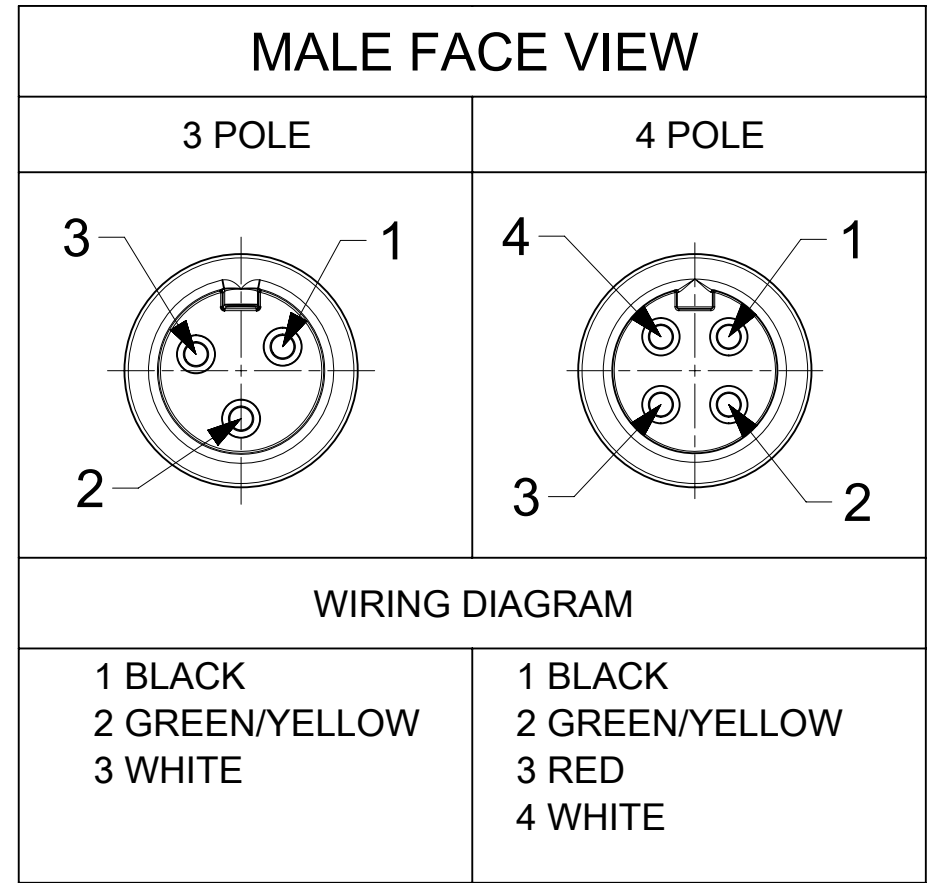
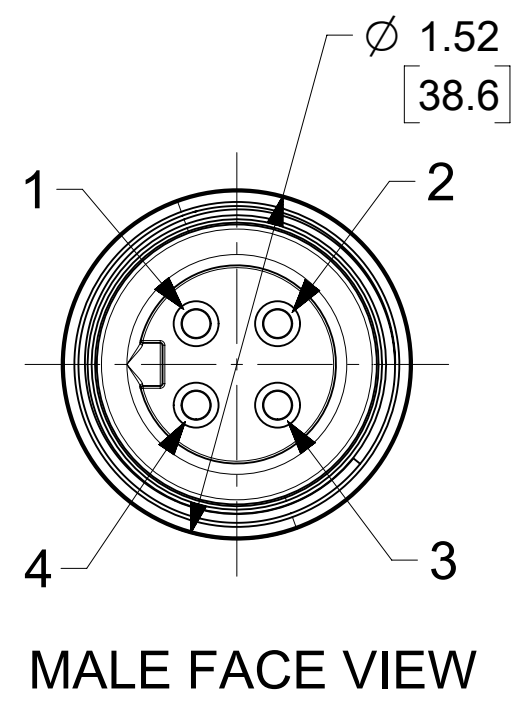
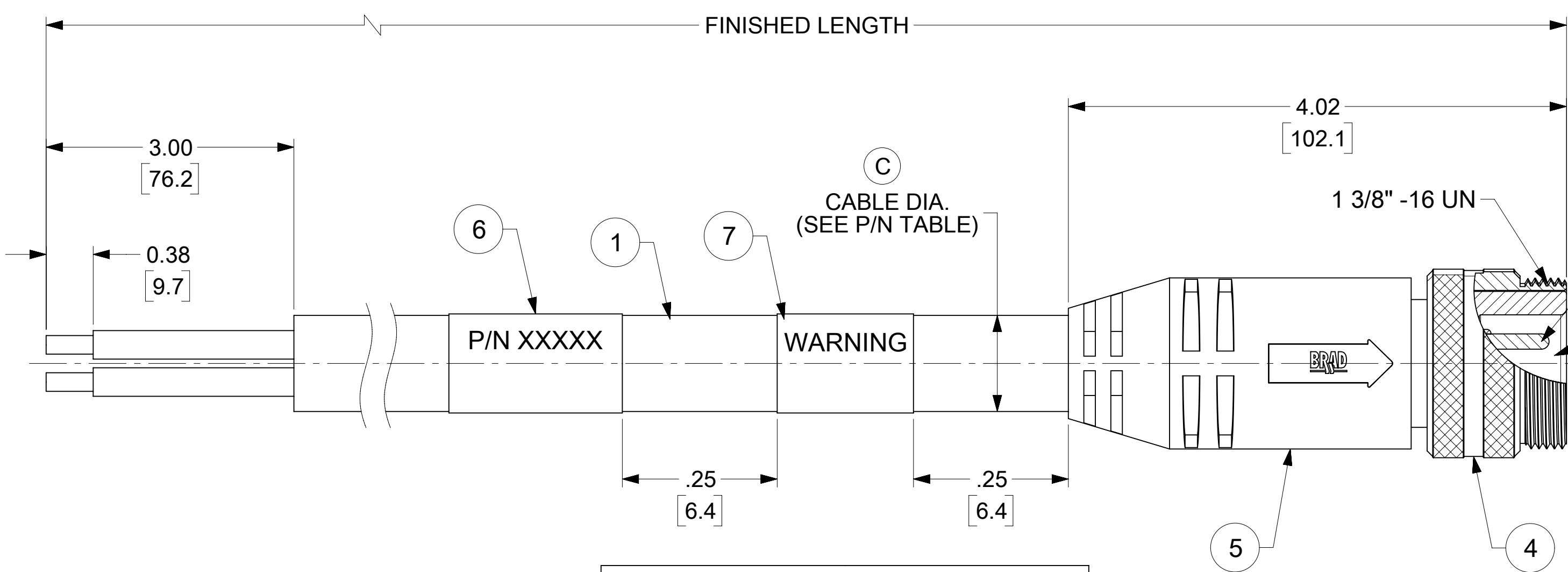
7.3-14.6M [24 - 48FT]: +317.5mm-0 [+12.50in-0]

14.6 - 30.5M [48-100FT]: +622.3mm-0 [+24.50in-0]

OVER 30M [100FT] +2% OF FINISHED LENGTH



SCALE 1:2



- NOTES:**
- MATERIAL: AS NOTED
 - FINISH: AS NOTED
 - ELECTRICAL:
VOLTAGE: 630V (3P) / 500V (4P) PER IEC60664
600V PER UL2237
CURRENT: 32A
 - TEMP RATING: -20°C TO +90°C (3P), +105°C (4P)
 - PROTECTION: IP67 (WHEN MATED)
 - UL LISTED FILE: E258922
 - ALL DIMS ARE FOR REFERENCE UNLESS TOLERANCED OR NOTED OTHERWISE

PART NUMBER LEGEND

C04006A48M020

FINISHED LENGTH
M005 = 0.5 METER
M010 = 1 METERS
M100 = 10 METERS

ITEM	DESCRIPTION	MATERIAL	FINISH
7	WARNING LABEL	VINYL	ORANGE/BLACK
6	WRAP LABEL	VINYL	BLACK/YELLOW
5	OVERMOLD	TPE	GRAY
4	COUPLING NUT	ALUMINIUM	CLEAR ANODIZE
3	PIN CONTACT	Cu ALLOY	GOLD OVER NICKEL
2	MALE INSERT	TPE	BLACK
1	CABLE, #10/3-4 TC-ER/STOOW	PVC JACKET	GRAY
ITEM	DESCRIPTION	MATERIAL	FINISH

FUNCTIONAL SYMBOLS	THIS DRAWING CONTAINS INFORMATION THAT IS PROPRIETARY TO MOLEX ELECTRONIC TECHNOLOGIES, LLC AND SHOULD NOT BE USED WITHOUT WRITTEN PERMISSION	CURRENT REV DESC: ADDED NOTES, BOM, ITEM #2 & 5 WERE PVC, MATERIAL P/N TABLE & DIMS. CABLE DIA., TOL. CHART AND PART NUMBER LEGEND.		molex		
	FA = 0	DIMENSION UNITS: INCH	SCALE: 1:1		EC NO: 711366 DRWN: VHANDI CHK'D: RSTONE APPR: BWOODMAN	
	FC = 0	GENERAL TOLERANCES (UNLESS SPECIFIED)				2021/07/08
	FP = 0	4 PLACES ±	MM		INCH	2022/06/21
DIVISIONAL SYMBOLS	DRWN: B.RUPERT	2010/01/12	2010/01/15	PRODUCT CUSTOMER DRAWING		
	APPR: JFMURPHY	2010/01/12	2010/01/15		DOCUMENT NUMBER: SD-130063-042	
	DRAFT WHERE APPLICABLE MUST REMAIN WITHIN DIMENSIONS		THIRD ANGLE PROJECTION		DRAWING: C-SIZE	SERIES: 130063
					MATERIAL NUMBER: SEE TABLE	CUSTOMER: GENERAL MARKET
				DOC TYPE: PSD		
				DOC PART: 001		
				REVISION: C		
				SHEET NUMBER: 1 OF 1		