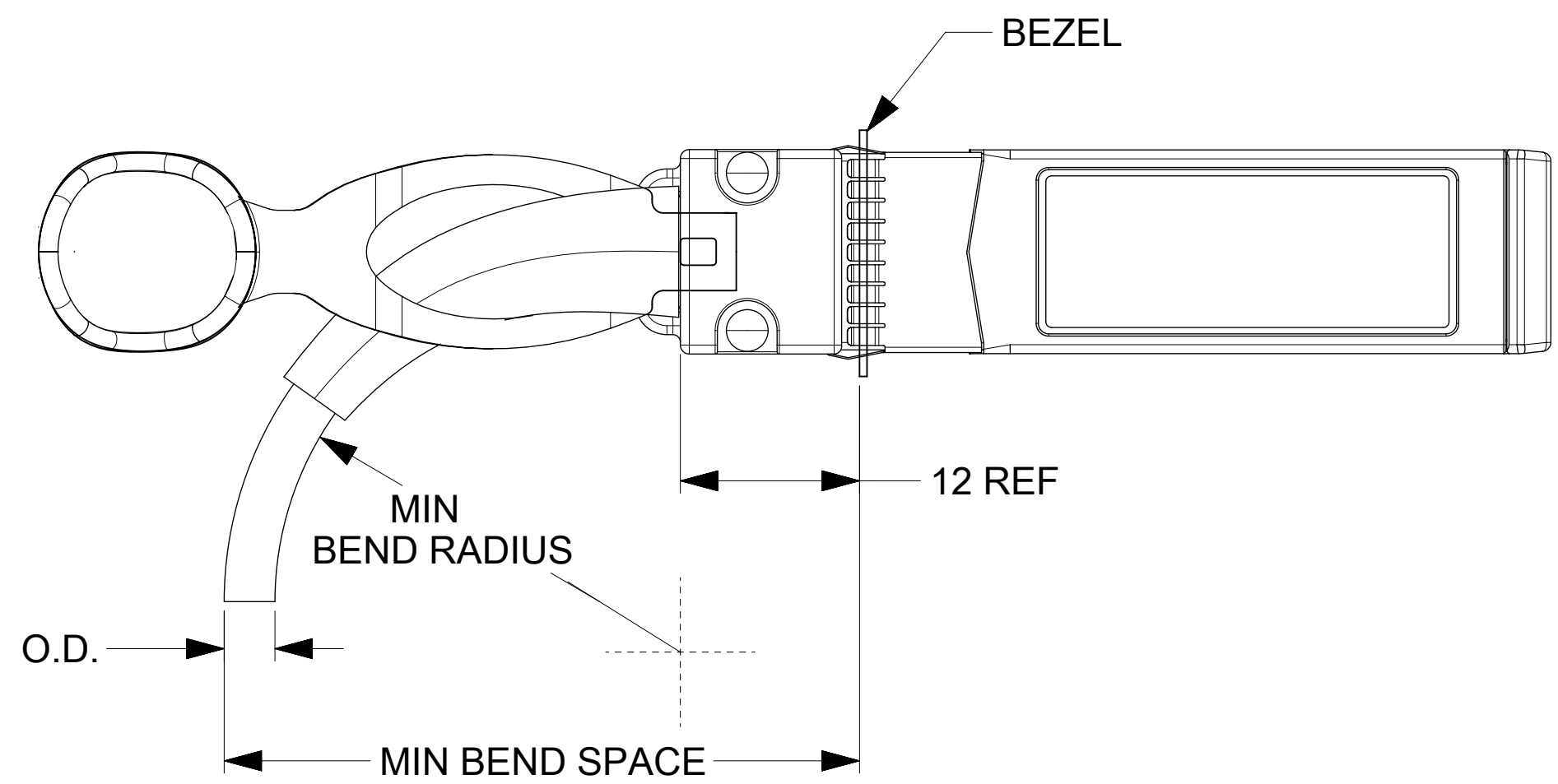


- NOTES:
- MATERIALS  
 BACKSHELLS - NICKEL PLATED ZINC  
 DE-LATCH - PLASTIC  
 PCB - FR4  
 RIVETS - STAINLESS STEEL
  - IMPEDANCE - 100 OHMS DIFFERENTIAL, PASSIVE
  - PULL TO RELEASE, PLUNGER STYLE LATCH
  - EACH ASSEMBLY HAS A SERIAL ID
  - RoHS COMPLIANT, NO EXEMPTIONS.

FUNCTIONAL SYMBOLS $\nabla_A = 0$ $\nabla_C = 0$ $\nabla_P = 0$ DIVISIONAL SYMBOLS	THIS DRAWING CONTAINS INFORMATION THAT IS PROPRIETARY TO MOLEX ELECTRONIC TECHNOLOGIES, LLC AND SHOULD NOT BE USED WITHOUT WRITTEN PERMISSION IN SHEET 3					
	DIMENSION UNITS	SCALE				CURRENT REV DESC: ADDED NEW PN TO PN TABLE IN SHEET 3
	mm	2.5:1	EC NO: 646922			
	GENERAL TOLERANCES (UNLESS SPECIFIED)		DRWN: ADITHK 2020/10/09			
ANGULAR TOL ± 2.0°		CHK'D: SKAMATHN 2020/10/09				
4 PLACES ±		APPR: KNAGANNA 2020/10/12				
3 PLACES ±		INITIAL REVISION:				
2 PLACES ± 0.13		DRWN: DRAMIREZ02 2016/10/21				
1 PLACE ± 0.25		APPR: ARAYBURN 2016/10/25				
0 PLACES ±		THIRD ANGLE PROJECTION				
DRAFT WHERE APPLICABLE MUST REMAIN WITHIN DIMENSIONS		DRAWING	SERIES	MATERIAL NUMBER	CUSTOMER	SHEET NUMBER
		D-SIZE	111145	SEE P/N TABLE	GENERAL MARKET	1 OF 3

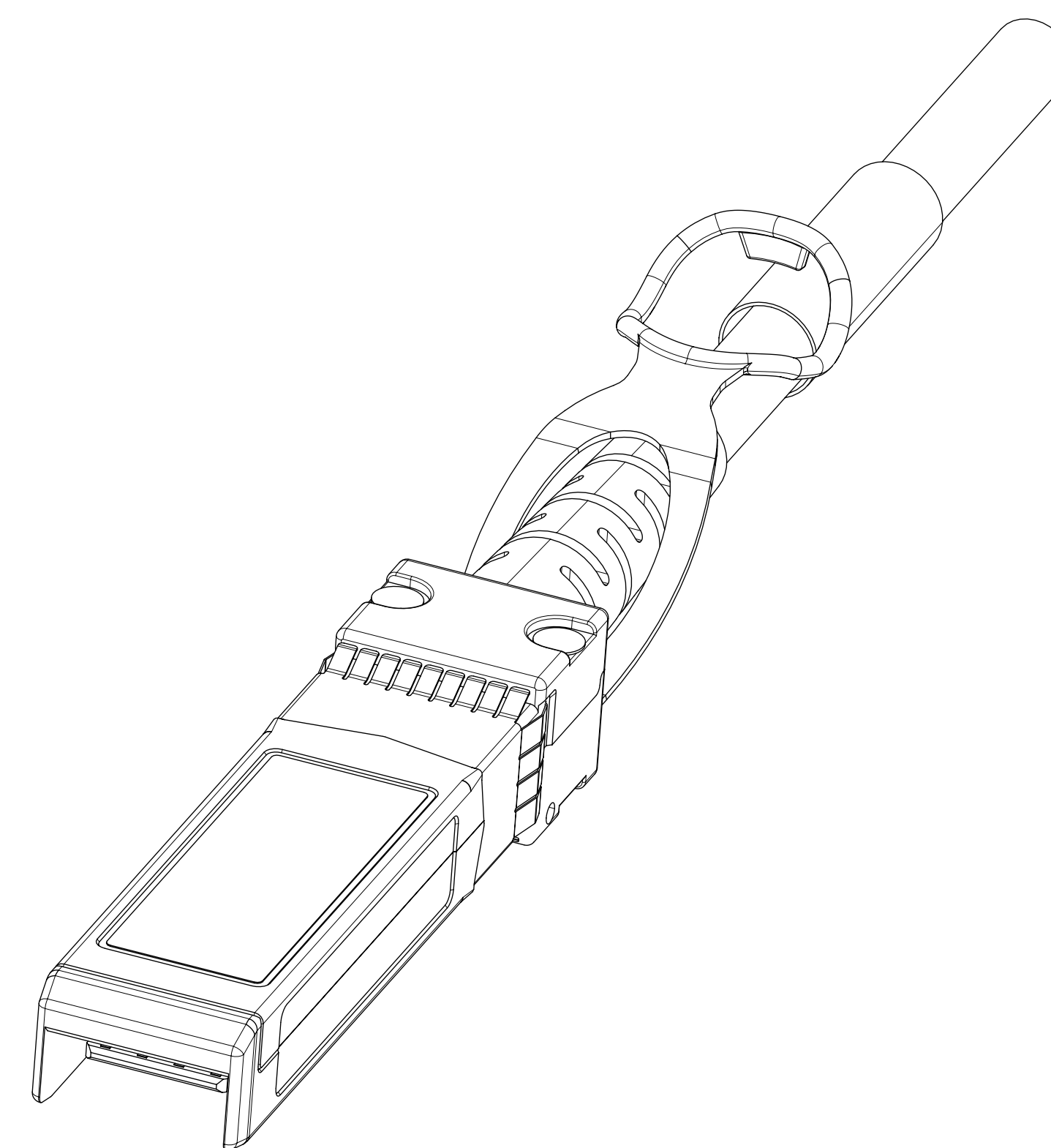
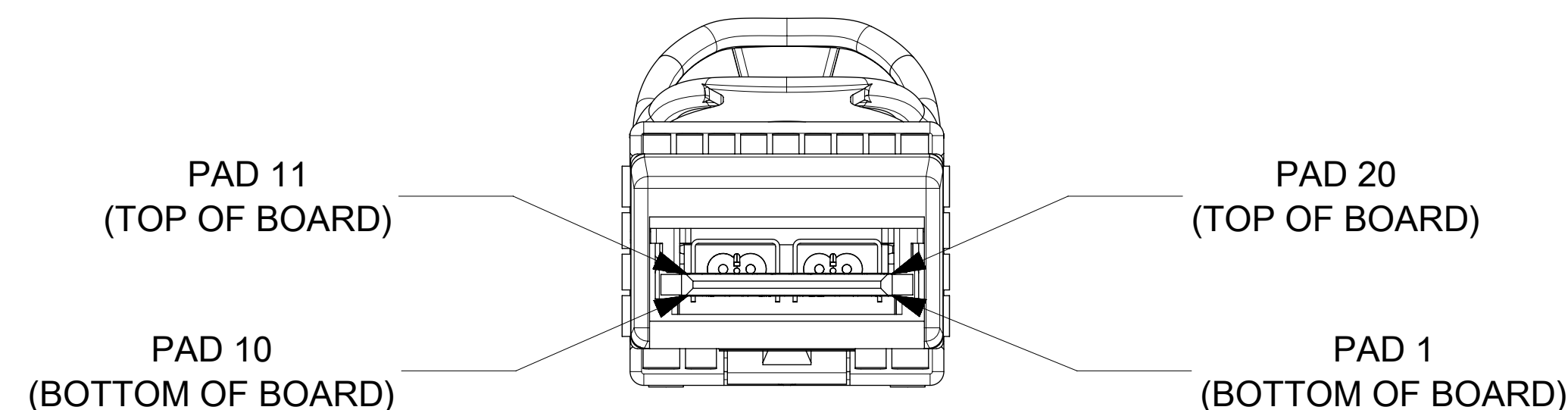
DOCUMENT STATUS	P1	RELEASE DATE	2020/10/12	15:25:15
-----------------	----	--------------	------------	----------



CABLE AWG	O.D.	MIN BEND RADIUS (mm)	MIN BEND SPACE (mm)
30	4.52	23	40
26	5.8	29	47

WIRING DIAGRAM					
P1 END			P2 END		
PAD	SIGNAL		PAD	SIGNAL	
12	RD-	<----	19	TD-	
13	RD+	<----	18	TD+	
18	TD+	---->	13	RD+	
19	TD-	---->	12	RD-	
02	Tx_Fault	NC	NC	02	Tx_Fault
03	Tx_Disable	NC	NC	03	Tx_Disable
04	SDA	□	□	04	SDA
05	SCL	□	□	05	SCL
06	Mod_ABS	NC	NC	06	Mod_ABS
07	RS0	NC	NC	07	RS0
08	Rx_LOS	NC	NC	08	Rx_LOS
09	RS1	NC	NC	09	RS1
15	VccR	NC	NC	15	VccR
16	VccT	NC	NC	16	VccT

LEGEND:  
 ----> = THRU LINES  
 NC = NOT CONNECTED  
 □ = CONNECTION TO A DEVICE ON THE PCB



FUNCTIONAL SYMBOLS	THIS DRAWING CONTAINS INFORMATION THAT IS PROPRIETARY TO MOLEX ELECTRONIC TECHNOLOGIES, LLC AND SHOULD NOT BE USED WITHOUT WRITTEN PERMISSION		CURRENT REV DESC: ADDED NEW PN TO PN TABLE IN SHEET 3		<b>molex</b>
	DIMENSION UNITS	SCALE			
$F_A = 0$	mm	4:1			ZSFP+ TO ZSFP+ 28G PASSIVE CABLE ASSEMBLY
$F_C = 0$	GENERAL TOLERANCES (UNLESS SPECIFIED)				PRODUCT CUSTOMER DRAWING
$F_P = 0$	ANGULAR TOL ± 2.0°				DOCUMENT NUMBER
DIVISIONAL SYMBOLS	4 PLACES	±	EC NO: 646922	2020/10/09	DOC TYPE
	3 PLACES	±	DRWN: ADITHK	2020/10/09	DOC PART
	2 PLACES	± 0.13	CHK'D: SKAMATHN	2020/10/12	REVISION
	1 PLACE	± 0.25	APPR: KNAGANNA		
	0 PLACES	±	INITIAL REVISION:		
	DRAFT WHERE APPLICABLE MUST REMAIN WITHIN DIMENSIONS		DRWN: DRAMIREZ02	2016/10/21	1111450001
	THIRD ANGLE PROJECTION		APPR: ARAYBURN	2016/10/25	PSD 000 J
			DRAWING	SERIES	MATERIAL NUMBER
			D-SIZE	111145	CUSTOMER
					SEE P/N TABLE
					GENERAL MARKET
					SHEET NUMBER
					2 OF 3

## PART NUMBER TABLE

PART NUMBER	LENGTH	TOL.	AWG	WITH DUST COVER
1111451021*	0.25M	±0.03M	30	NO
1111451031*	0.3M	±0.03M	30	NO
1111451051	0.5M	±0.05M	30	NO
1111451081	0.8M	±0.05M	30	NO
1111451082	0.85M	+0.05 M -0.02 M	30	NO
1111451101	1.0M	±0.05M	30	NO
1111451151	1.5M	±0.05M	30	NO
1111451201	2.0M	±0.05M	30	NO
1111451251	2.5M	±0.05M	30	NO
1111451301	3.0M	±0.05M	30	NO
1111451401	4.0M	±0.05M	30	NO
1111453201	2.0M	±0.05M	26	NO
1111453301	3.0M	±0.05M	26	NO
1111453351	3.5M	±0.05M	26	NO
1111453401	4.0M	±0.05M	26	NO
1111453451	4.5M	±0.05M	26	NO
1111453501	5.0M	±0.08M	26	NO
1111451103	1.0M	±0.05M	30	YES
1111451153	1.5M	±0.05M	30	YES
1111451203	2.0M	±0.05M	30	YES
1111451253	2.5M	±0.05M	30	YES

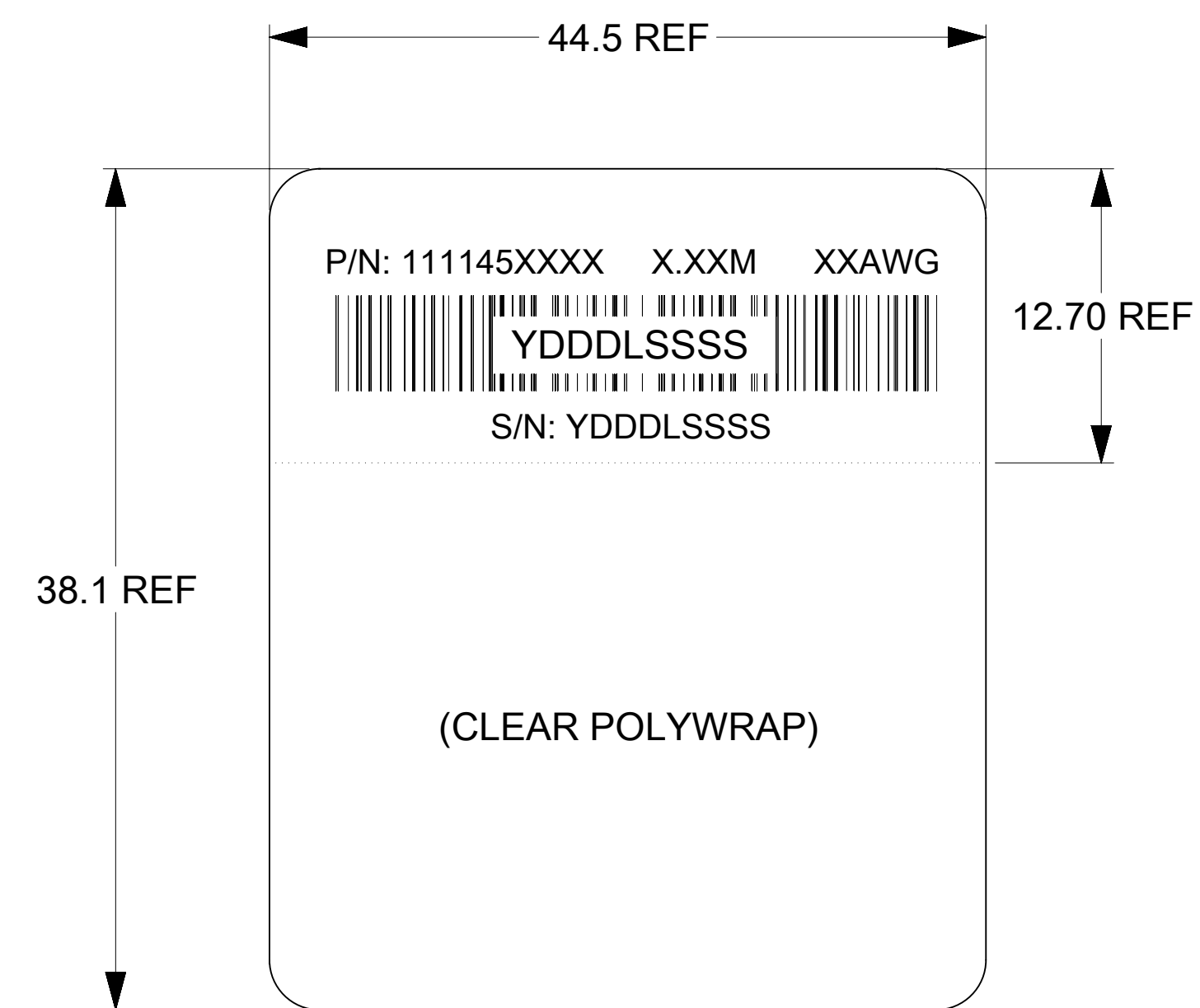
**NOTES:**

CUSTOM CABLE LENGTH AND GAUGE AVAILABLE UPON REQUEST

\*CABLE LENGTHS 1M OR LESS THAN 1M DO NOT MEET IEEE 802.3by RETURN LOSS LIMITS

30 AWG CABLES LONGER THAN 3m, CABLES FAIL 802.3by SPEC FOR MAXIMUM INSERTION LOSS AND COM

## CABLE ID LABEL



P/N: 111145XXXX - MOLEX PART NUMBER (SEE P/N TABLE)

X.XXM - CABLE LENGTH IN METERS (EXAMPLES - 0.5M, 1.0M, 1.5M, SEE P/N TABLE)

XXAWG - CABLE SIZE IN AWG (SEE P/N TABLE)

S/N: YDDLSSSS - SERIAL NUMBER

Y = YEAR, THE LAST DIGIT OF YEAR

DDD = DAY OF THE YEAR

L = LOCATION

1 - USA

2 - MEXICO

3 - CHINA

4 - PHILIPPINES

SSSS = SERIAL NUMBER (0001-9999)

FUNCTIONAL SYMBOLS $F_A = 0$ $F_C = 0$ $F_D = 0$	THIS DRAWING CONTAINS INFORMATION THAT IS PROPRIETARY TO MOLEX ELECTRONIC TECHNOLOGIES, LLC AND SHOULD NOT BE USED WITHOUT WRITTEN PERMISSION IN SHEET 3			
	DIMENSION UNITS	SCALE		
	GENERAL TOLERANCES (UNLESS SPECIFIED)		EC NO: 646922 DRWN: ADITHK 2020/10/09 CHK'D: SKAMATHN 2020/10/09 APPR: KNAGANNA 2020/10/12	
	ANGULAR TOL ± 2.0°			
4 PLACES ±		INITIAL REVISION: DRWN: DRAMIREZ02 2016/10/21 APPR: ARAYBURN 2016/10/25		
3 PLACES ±				
2 PLACES ± 0.13		DOCUMENT NUMBER: <b>1111450001</b> DOC TYPE: PSD    DOC PART: 000    REVISION: J		
1 PLACE ± 0.25				
0 PLACES ±		MATERIAL NUMBER: SEE P/N TABLE    CUSTOMER: GENERAL MARKET    SHEET NUMBER: 3 OF 3		
DRAFT WHERE APPLICABLE MUST REMAIN WITHIN DIMENSIONS				
THIRD ANGLE PROJECTION		DRAWING	SERIES	MATERIAL NUMBER
		<b>D-SIZE</b>	<b>111145</b>	SEE P/N TABLE