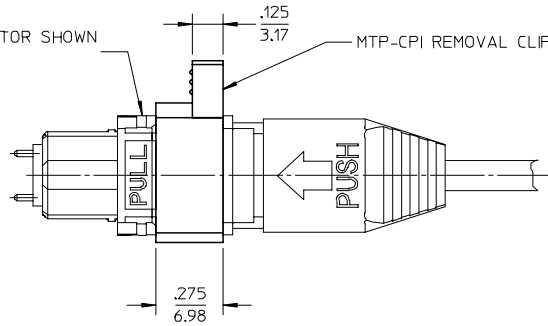
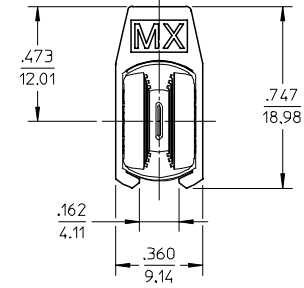


ISO VIEW 1  
SCALE 4:1

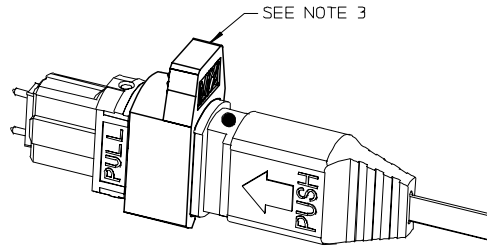
MALE MTP STANDARD CONNECTOR SHOWN  
NOT PROVIDED



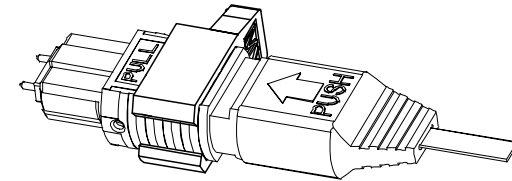
ISO VIEW 2



ISO VIEW 3



SEE NOTE 3



NOTES:

1. ALL DIMENSIONS ARE IN IN/MM.
2. ALL DIMENSIONS ARE FOR REFERENCE.
3. IN ORDER TO INSURE PROPER FUNCTIONALITY  
SNAP MTP-CPI REMOVAL CLIP ONTO MTP CONNECTOR  
AS SHOWN IN ISO VIEW 2.
4. MTP-CPI REMOVAL CLIP NEEDS TO BE INSTALLED ONTO  
MTP CONNECTOR PRIOR TO INSERTING THE MTP CONNECTOR  
INTO MTP-CPI CONNECTOR.

ENTER DESCRIPTION EC NO: MF2006-0261 DRWN: YBELEKLY 2006/01/03 CHKD: SMIGO 2006/01/04 APPR: IMAXHLIN 2006/01/04 A REV	QUALITY SYMBOLS ▽=0 ▽=0	GENERAL TOLERANCES (UNLESS SPECIFIED) <table border="1"> <tr> <td></td> <td>mm</td> <td>INCH</td> </tr> <tr> <td>4 PLACES</td> <td>± .005</td> <td>± .0004</td> </tr> <tr> <td>3 PLACES</td> <td>± .008</td> <td>± .0005</td> </tr> <tr> <td>2 PLACES</td> <td>± .015</td> <td>± .0008</td> </tr> <tr> <td>1 PLACE</td> <td>± .030</td> <td>± .0015</td> </tr> <tr> <td colspan="3">ANGULAR ± .005°</td> </tr> </table>		mm	INCH	4 PLACES	± .005	± .0004	3 PLACES	± .008	± .0005	2 PLACES	± .015	± .0008	1 PLACE	± .030	± .0015	ANGULAR ± .005°			DIMENSION STYLE IN/MM	SCALE 2:1	DESIGN UNITS INCH	THIRD ANGLE PROJECTION
		mm	INCH																					
	4 PLACES	± .005	± .0004																					
	3 PLACES	± .008	± .0005																					
2 PLACES	± .015	± .0008																						
1 PLACE	± .030	± .0015																						
ANGULAR ± .005°																								
		DRAWN BY YB	DATE 12.28.05	TITLE MTP-CPI REMOVAL CLIP																				
		CHECKED BY SM	DATE 12.28.05	MOLEX INCORPORATED																				
		APPROVED BY IM	DATE 12.28.05	MATERIAL NO. 1060880800	DOCUMENT NO. SD-106088-0800	SHEET NO. 1 OF 1																		
		DRAFT WHERE APPLICABLE MUST REMAIN WITHIN DIMENSIONS		THIS DRAWING CONTAINS INFORMATION THAT IS PROPRIETARY TO MOLEX INCORPORATED AND SHOULD NOT BE USED WITHOUT WRITTEN PERMISSION																				