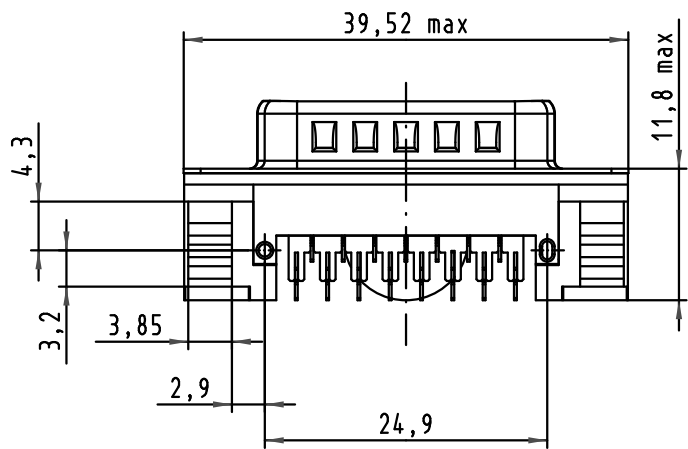
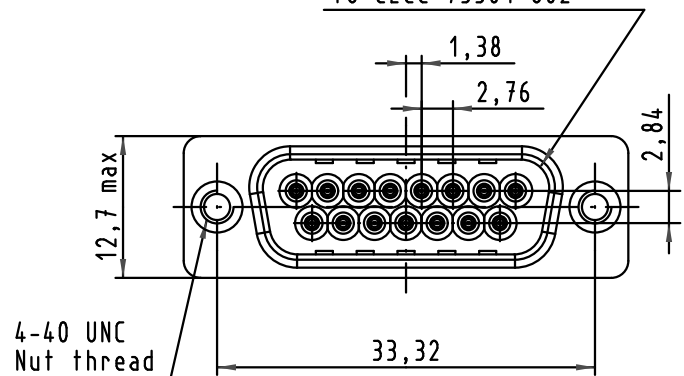


1 2 3 4 5 6

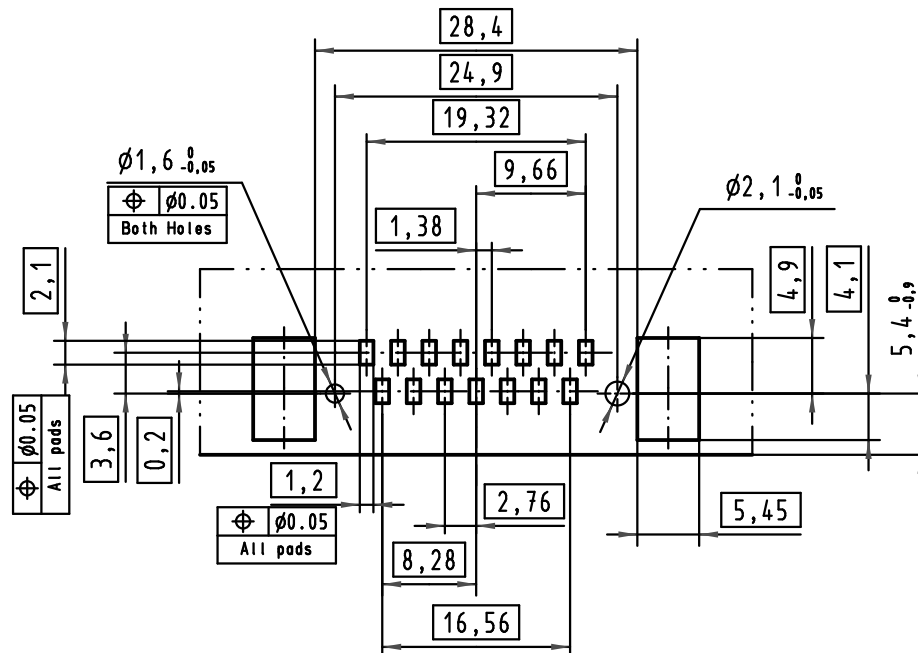
A



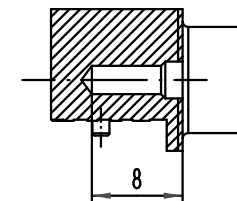
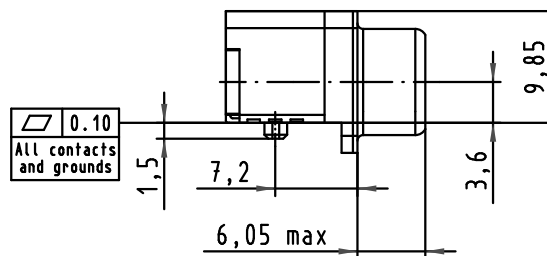
Mating face according to CECC 75301-802



Max. Temperature: 260°C during 10 seconds



PCB Layout, component side (thickness 1,6mm min.)



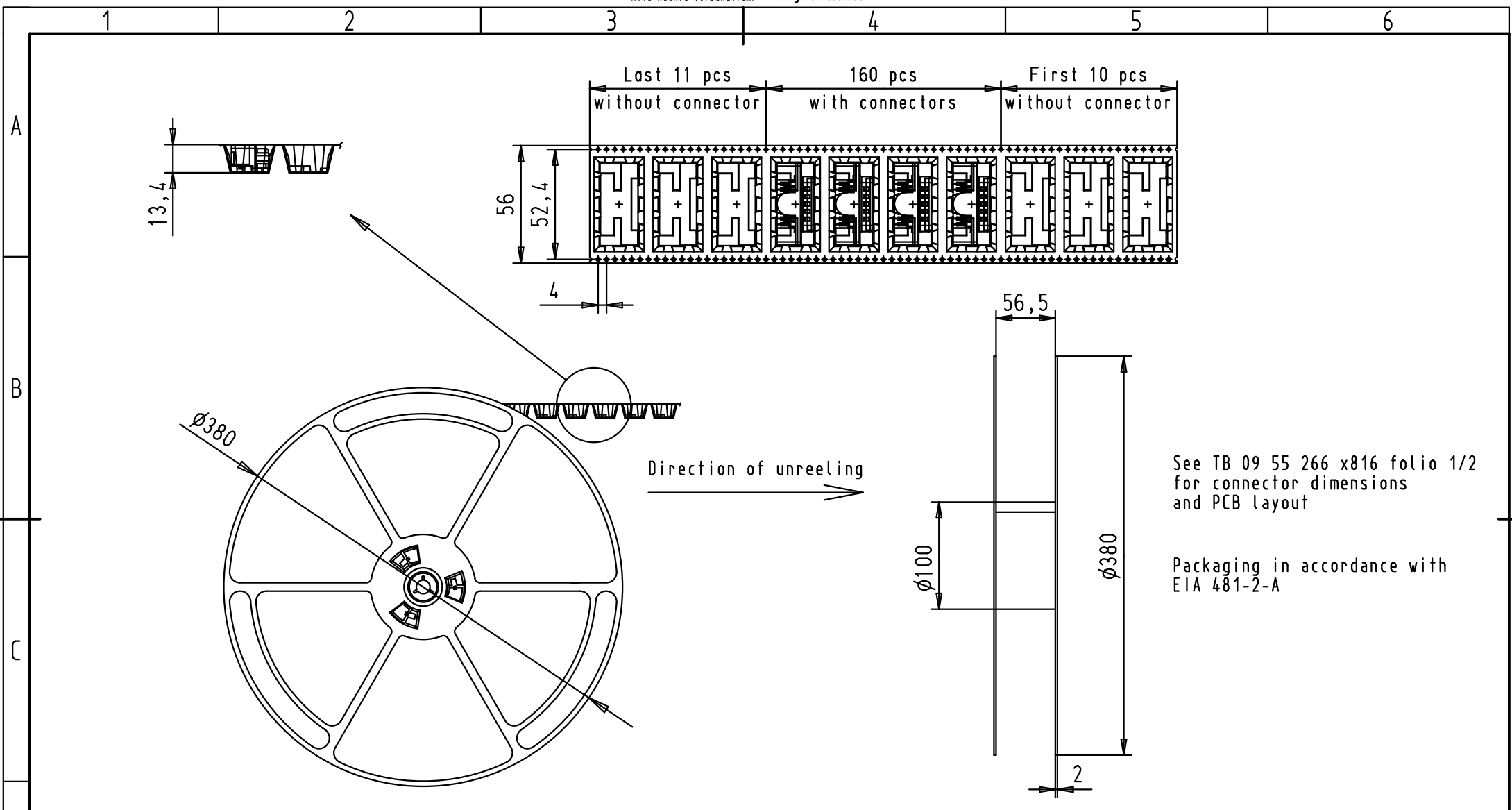
D

							Dat.		Name		Moßstab/ Scale		
							Detail.		29Sep2009		LP		1,5:1
							Insp.						
							Stand.						
09552663816.741	1	4-40 UNC	Black Insulator	Reel Packaging (160 connectors) see page 2/2	EC01257	25Jan2010	ED	HARTING EURL F-95972 Paris		TB 09 55 266 x816		Blatt/ Page 1 / 2	
09552666816.741	2				EC00385	29/09/2009	LP						
09552667816.741	3												
Part number	PL	Thread	Index designation	Mod.	Dat.	Name					Sub.		



All Dim. in mm
Orig. Size DIN A 4

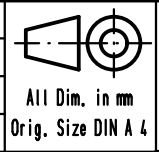




See TB 09 55 266 x816 folio 1/2 for connector dimensions and PCB layout

Packaging in accordance with EIA 481-2-A

				Dot.	Name
				Detail.	17Jul2006 ED
				Insp.	
				Stand.	



D-SUB SMT
Low Profile Male 15p
with die casted grounds
and 4-40 UNC nuts

Maßstab/
Scale

09552663816.741	1	4-40 UNC	Black Insulator	Reel Packaging (160 connectors)
09552666816.741	2			
09552667816.741	3			
Part number	PL	Thread	Index designation	

EC01257	25Jan2010	ED
EC01078	09Nov2009	LP
Mod.	Dot.	Name

HARTING EURL
F-95972 Paris



TB 09 55 266 x816

Blatt/ Page
2 / 2

Sub.