

# ZB5CW313

Harmony XB5, Illuminated push button square head, plastic, flush, white, Ø22, spring return, integral LED



## Main

|                                 |                                  |
|---------------------------------|----------------------------------|
| Range of Product                | Harmony XB5                      |
| Product or Component Type       | Head for illuminated push-button |
| Device short name               | ZB5                              |
| Product Compatibility           | Integral LED                     |
| Bezel material                  | Dark grey plastic                |
| Mounting diameter               | 0.87 in (22 mm)                  |
| Sale per indivisible quantity   | 1                                |
| Head type                       | Standard                         |
| Shape of signaling unit head    | Square                           |
| Type of operator                | Spring return                    |
| Operator profile                | White flush, unmarked            |
| Operator additional information | For insertion of legend          |

## Complementary

|                                    |   |
|------------------------------------|---|
| CAD overall width                  | 1.18 in (30 mm)   |
| CAD overall height                 | 1.18 in (30 mm)   |
| CAD overall depth                  | 1.18 in (30 mm)   |
| Net Weight                         | 0.05 lb(US) (0.023 kg)  |
| Resistance to high pressure washer | 1015.26 psi (7000000 Pa) 131 °F (55 °C) 0.1 m   |
| Mechanical durability              | 10000000 cycles   |
| Main group                         | Illum push-button   |
| Group of product                   | Flush push with inser of legend   |
| Station name                       | XALD 1...5 cut-outs<br>XALK 2...5 cut-outs  |
| Cap/operator or lens colour        | White   |
| Marking                            | Unmarked  |
| Electrical composition code        | M1 6 single front mounting integral LED<br>M2 6 single and double front mounting integral LED<br>M6 2 single front mounting integral LED and transformer<br>M10 2 single front mounting integral LED<br>MF1 2 single front mounting integral LED<br>MR1 2 single rear mounting integral LED |
| Device presentation                | Basic element   |

## Environment

|                                       |                            |
|---------------------------------------|----------------------------|
| Protective treatment                  | TC                         |
| Ambient Air Temperature for Storage   | -40...158 °F (-40...70 °C) |
| Ambient air temperature for operation | -40...158 °F (-40...70 °C) |
| Overvoltage category                  | Class II IEC 60536         |
| IP degree of protection               | IP66 IEC 60529             |
| NEMA degree of protection             | NEMA 13<br>NEMA 4X         |
| IK degree of protection               | IK05 EN 50102              |

|                        |  |
|------------------------|--|
| Product Certifications | UL Listed<br>BV<br>CSA<br>GL<br>LROS (Lloyds register of shipping)<br>DNV  |
| Vibration resistance   | 5 gn 2...500 Hz)IEC 60068-2-6  |
| Shock resistance       | 30 gn 18 ms) half sine wave acceleration IEC 60068-2-27<br>50 gn 11 ms) half sine wave acceleration IEC 60068-2-27 |

### Ordering and shipping details

|                       |                                       |
|-----------------------|---------------------------------------|
| Category              | 22467 - PUSHBUTTONS,22MM(PLASTIC) NEW |
| Discount Schedule     | CS2                                   |
| GTIN                  | 3389110934823                         |
| Nbr. of units in pkg. | 1                                     |
| Package weight(Lbs)   | 0.71 oz (20 g)                        |
| Returnability         | Yes                                   |
| Country of origin     | FR                                    |

### Packing Units

|                              |                       |
|------------------------------|-----------------------|
| Unit Type of Package 1       | PCE                   |
| Package 1 Height             | 1.81 in (4.6 cm)      |
| Package 1 width              | 2.09 in (5.3 cm)      |
| Package 1 Length             | 1.38 in (3.5 cm)      |
| Unit Type of Package 2       | S02                   |
| Number of Units in Package 2 | 150                   |
| Package 2 Weight             | 7.25 lb(US) (3.29 kg) |
| Package 2 Height             | 5.91 in (15 cm)       |
| Package 2 width              | 11.81 in (30 cm)      |
| Package 2 Length             | 15.75 in (40 cm)      |
| Package 3 Height             | 1.73 in (4.4 cm)      |

### Offer Sustainability

|                            |  |
|----------------------------|--|
| Sustainable offer status   | Green Premium product  |
| California proposition 65  | WARNING: This product can expose you to chemicals including: Nickel compounds, which is known to the State of California to cause cancer, and Di-isodecyl phthalate (DIDP), which is known to the State of California to cause birth defects or other reproductive harm. For more information go to <a href="http://www.P65Warnings.ca.gov">www.P65Warnings.ca.gov</a> |
| REACH Regulation           | <a href="#">REACH Declaration</a>  |
| REACH free of SVHC         | Yes  |
| EU RoHS Directive          | Pro-active compliance (Product out of EU RoHS legal scope) <a href="#">EU RoHS Declaration</a>   |
| Toxic heavy metal free     | Yes  |
| Mercury free               | Yes  |
| RoHS exemption information | <a href="#">Yes</a>  |
| China RoHS Regulation      | <a href="#">China RoHS Declaration</a>   |
| Environmental Disclosure   | <a href="#">Product Environmental Profile</a>  |
| Circularity Profile        | <a href="#">End Of Life Information</a>  |

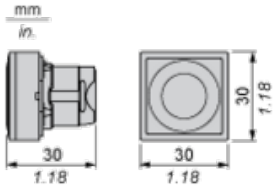
### Contractual warranty

|          |           |
|----------|-----------|
| Warranty | 18 months |
|----------|-----------|

---

Dimensions

---



Panel Cut-out for Pushbuttons, Switches and Pilot Lights (Finished Holes, Ready for Installation)

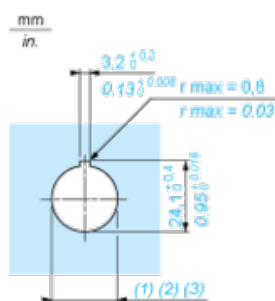
Connection by Screw Clamp Terminals or Plug-in Connectors or on Printed Circuit Board



- (1) Diameter on finished panel or support
- (2) For selector switches and Emergency stop buttons, use of an anti-rotation plate type ZB5AZ902 is recommended.
- (3)  $\text{Ø}22.5 \text{ mm}$  recommended ( $\text{Ø}22.3 \text{ }_0^{+0.4}$ ) /  $\text{Ø}0.89 \text{ in.}$  recommended ( $\text{Ø}0.88 \text{ in. }_0^{+0.016}$ )

| Connections                                   | a in mm | a in in. | b in mm | b in in. |
|---|---------|----------|---------|----------|
| By screw clamp terminals or plug-in connector | 40      | 1.57     | 30      | 1.18     |
| By Faston connectors                          | 45      | 1.77     | 32      | 1.26     |
| On printed circuit board                      | 30      | 1.18     | 30      | 1.18     |

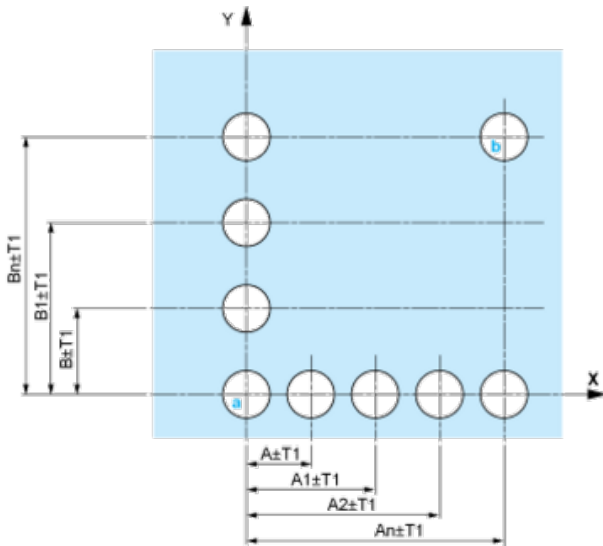
Detail of Lug Recess



- (1) Diameter on finished panel or support
- (2) For selector switches and Emergency stop buttons, use of an anti-rotation plate type ZB5AZ902 is recommended.
- (3)  $\text{Ø}22.5 \text{ mm}$  recommended ( $\text{Ø}22.3 \text{ }_0^{+0.4}$ ) /  $\text{Ø}0.89 \text{ in.}$  recommended ( $\text{Ø}0.88 \text{ in. }_0^{+0.016}$ )

Pushbuttons, Switches and Pilot Lights for Printed Circuit Board Connection

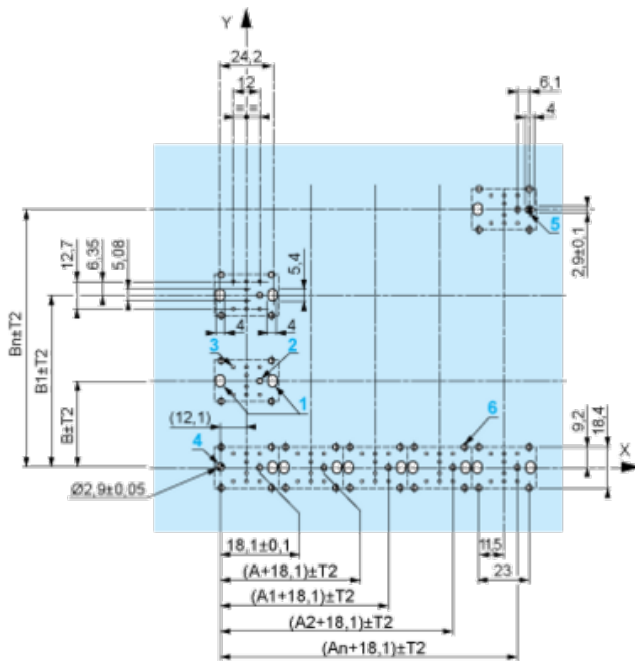
Panel Cut-outs (Viewed from Installer's Side)



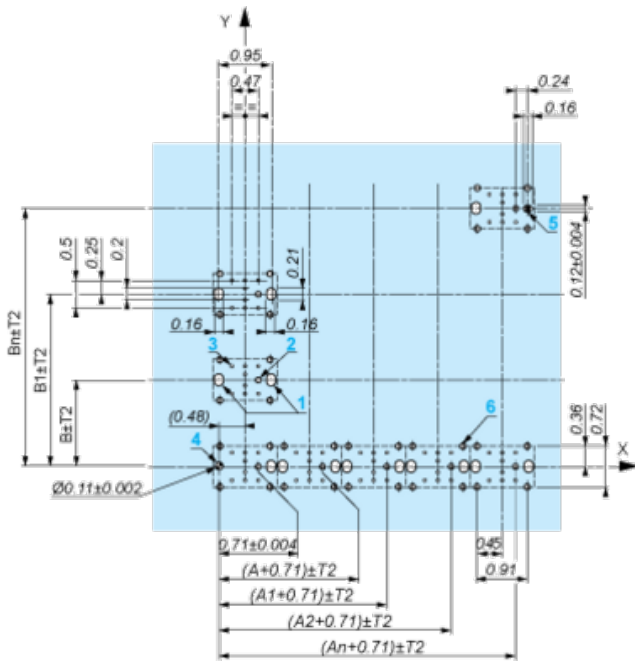
A: 30 mm min. / 1.18 in. min.  
 B: 40 mm min. / 1.57 in. min.

Printed Circuit Board Cut-outs (Viewed from Electrical Block Side)

Dimensions in mm



A: 30 mm min.  
 B: 40 mm min.  
 Dimensions in in.



A: 1.18 in. min.

B: 1.57 in. min.

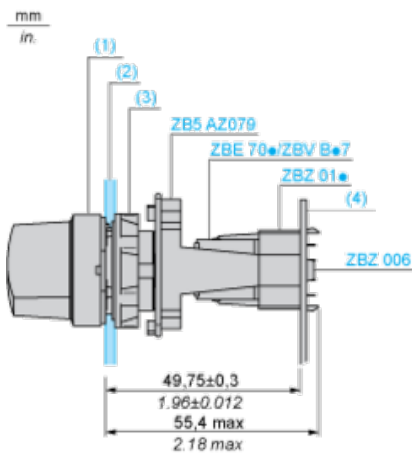
### General Tolerances of the Panel and Printed Circuit Board

The cumulative tolerance must not exceed 0.3 mm / 0.012 in.:  $T1 + T2 = 0.3 \text{ mm max.}$

### Installation Precautions

- Minimum thickness of circuit board: 1.6 mm / 0.06 in.
- Cut-out diameter: 22.4 mm  $\pm$  0.1 / 0.88 in.  $\pm$  0.004
- Orientation of body/fixing collar ZB5AZ009:  $\pm 2^\circ 30'$  (excluding cut-outs marked a and b).
- Tightening torque of screws ZBZ006: 0.6 N.m (5.3 lbf.in) max.
- Allow for one ZB5AZ079 fixing collar/pillar and its fixing screws:
  - every 90 mm / 3.54 in. horizontally (X), and 120 mm / 4.72 in. vertically (Y).
  - with each selector switch head (ZB5AD•, ZB5AJ•, ZB5AG•).

The fixing centers marked a and b are diagonally opposed and must align with those marked 4 and 5.



- (1) Head ZB5AD•
- (2) Panel
- (2) Nut
- (4) Printed circuit board

### Mounting of Adapter (Socket) ZBZ01•

- 1 2 elongated holes for ZBZ006 screw access
- 2 1 hole  $\varnothing$  2.4 mm  $\pm$  0.05 / 0.09 in.  $\pm$  0.002 for centring adapter ZBZ01•
- 3 8  $\times$   $\varnothing$  1.2 mm / 0.05 in. holes
- 4 1 hole  $\varnothing$  2.9 mm  $\pm$  0.05 / 0.11 in.  $\pm$  0.002, for aligning the printed circuit board (with cut-out marked a)
- 5 1 elongated hole for aligning the printed circuit board (with cut-out marked b)
- 6 4 holes  $\varnothing$  2.4 mm / 0.09 in. for clipping in adapter ZBZ01•

Dimensions An + 18.1 relate to the  $\varnothing$  2.4 mm  $\pm$  0.05 / 0.09 in.  $\pm$  0.002 holes for centring adapter ZBZ01•.

---

Electrical Composition Corresponding to Codes M1 and M7

---



---

Electrical Composition Corresponding to Codes M2 and M8

---



---

Electrical Composition Corresponding to Codes M6 and P2

---



---

Electrical Composition Corresponding to Codes M5, M10, MF1, MR1 and MF2

---



---

Legend

---

Single contact



Double contact

Light block

Possible location

