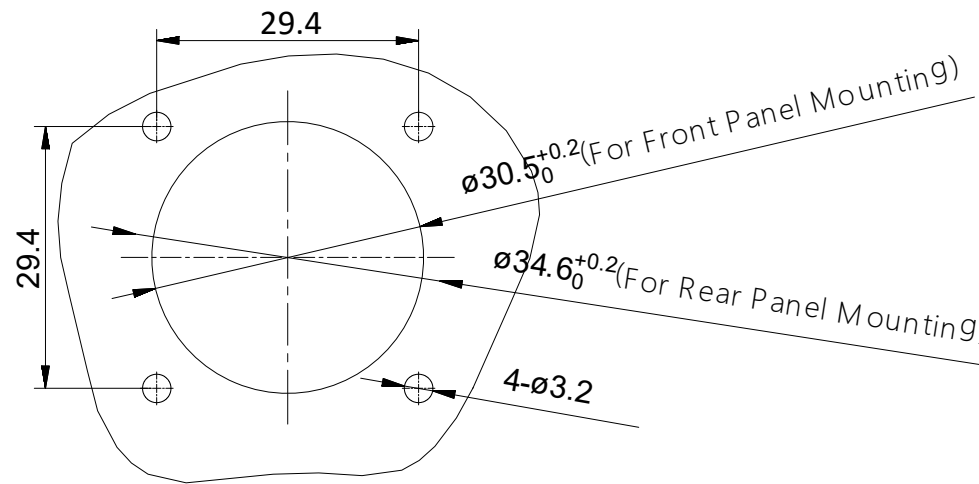
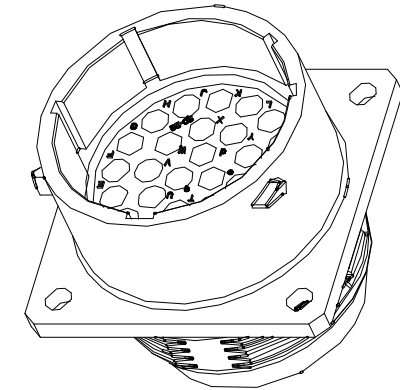
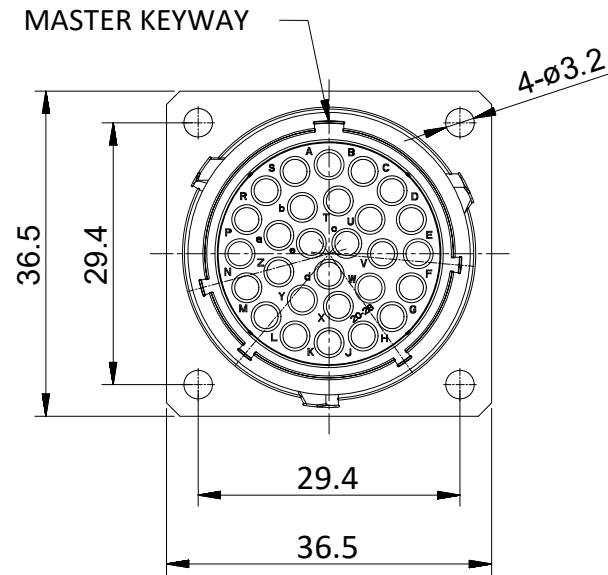
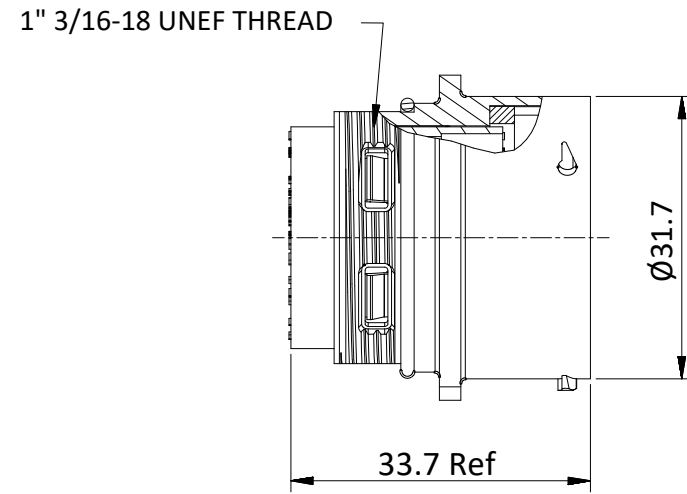
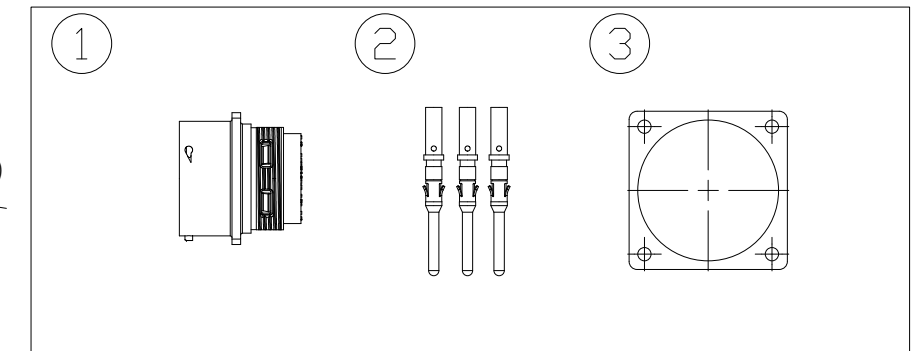


REVISIONS					
REV	ECO	DESCRIPTION	DATE	BY	APPR
A1	-	RELEASED DRAWING	3/3/2021	RO	DR
A2	-	UPDATED VOLTAGE	1/4/2023	RO	DR
A3	-	UPDATED AMPERAGE	5/4/2023	RO	DR



PANEL CUT OUT REFERENCE

ILLUSTRATION: COMPLETE KIT



NOTES:

- MATERIAL
 - SHELL: ZINC ALLOY, NICKEL PLATED.
 - INSERT: THERMOPLASTIC, UL94 V-0.
 - O-RING: NBR.
- SPECIFICATIONS:
 - 2.1 RATED CURRENT: 3A (MAX).
 - 2.2 RATED VOLTAGE: 500V (AC/DC).
 - 2.3 OPERATING TEMPERATURE: -40C + 105C.
 - 2.4 DIELECTRIC WITHSTANDING VOLTAGE: LESS THAN 2 MILLIAMPS CURRENT LEAKAGE @2000 VOLTS AC.
 - 2.5 INSULATION RESISTANCE: 5000 MEGOHMS MIN.
 - 2.6 IP---CLASS: IP67 (IN MATED CONDITION)
 - 2.7 MATING CYCLES DURABILITY: 500 CYCLES (MIN).
 - 2.8 ROHS COMPLIANT.
- SUITABLE CONTACTS: #16 CONTACTS.
- ALL DIMENSIONS ARE FOR REFERENCE USE ONLY.

KEY POS	PART NUMBER
N	RT002028PNH
W	RT002028PWH
X	RT002028PXH
Y	RT002028PYH
Z	RT002028PZH

1	RTFD20B	GASKET,SHELL 20,RT360	3
28	MP16M23F	CONTACT,PIN,16AWG,18-16GA	2
1	RT002028P*H	RECPT,MALE,20-28	1
QUANTITY	PART NUMBER	DESCRIPTION	ITEM

MATERIALS LIST

UNLESS OTHERWISE SPECIFIED 1) All dimensions are in metric(mm). 2) Tolerances are as follows: 1 PL DEC ±0.30 2 PL DEC ±0.15 3 PL DEC ±0.08 3) Note reference =		SIGNATURES DRAWN: RO CHECKED: ENGINEER: APPROVAL:	DATE 3/3/2021	<h1>Amphenol</h1> <p>Sine Systems - www.amphenol-sine.com 44724 Morley Drive Clinton Township, MI 48036</p>	
MATERIAL SPECIFICATIONS:		CUSTOMER:			
PROCESS SPECIFICATIONS:		THIS DRAWING IS SUPPLIED FOR INFORMATION ONLY. DESIGN FEATURES, SPECIFICATIONS AND PERFORMANCE DATA SHOWN HEREON ARE THE PROPERTY OF THE AMPHENOL CORPORATION. NO RIGHTS OF REPRODUCTION ARE IMPLIED. ALL DIMENSIONS ARE SUBJECT TO NORMAL MANUFACTURING VARIATIONS.		<p>ECO-MATE,RECEPTACLE, SIZE 20,28POS,PIN. KIT</p>	
NEXT ASSY:	SIZE B	TYPE C-	DWG NO: RT002028P*H-K	REVISION A3	SCALE: NONE

TITLE: ECO-MATE RECEPTACLE SIZE 20,28POS,PIN

DWG NO:

RT002028P*H

REV: A3

SH: 1

OF: 1