

# RH-ES Tubular handles

Stainless steel



- 1
- 2
- 3
- 4
- 5
- 6
- 7
- 8
- 9
- 10
- 11
- 12
- 13
- 14
- 15
- 16
- 17
- 18

## HANDLE SHANKS

Stainless steel, sandblasted and semi-matte surface obtained by electropolishing.

Through holes for stainless steel screws with hexagonal head, nuts and washers, included in the supply.

## TUBE

AISI 304 stainless steel, ground and brushed surface.

## TUBE LOCKING

System made up of:

- two grub screws with hexagon socket and cup end;
- non-toxic silicone rubber gasket for food use with working temperature between -60°C and +200°C.

## APPLICATIONS

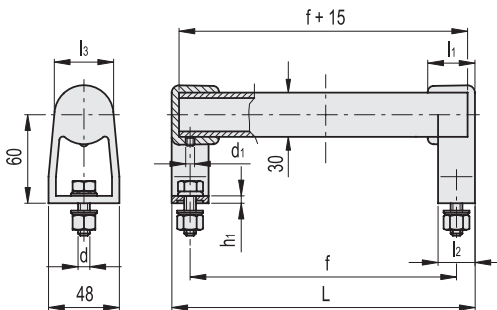
The use of silicone rubber gasket to prevent the penetration of sprays enables the handles to be used for applications which require frequent cleaning cycles.

## SPECIAL EXECUTIONS ON REQUEST

Different lengths.



Conversion Table			
1 mm = 0.039 inch			
L			
mm	inch	mm	inch
225	8.86	376	14.80
226	8.90	425	16.73
276	10.87	426	16.77
325	12.67	525	20.67
326	12.78	625	24.61



# RH-EU Tubular handles

Stainless steel



## HANDLE SHANKS

Stainless steel, sandblasted surface, semi-glossy finish obtained by electropolishing.

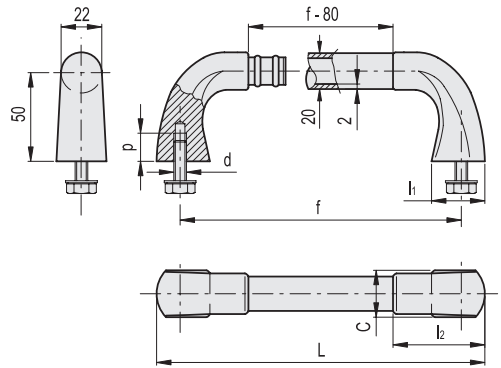
Threaded holes for hexagonal-head screws and washers, included in the supply.

## TUBE

AISI 304 stainless steel, ground surface.

## SPECIAL EXECUTIONS ON REQUEST

- Tubular handles for front mounting.
- Plastic coated tube with grooved finish.
- Different lengths.



Code	f	d	L	l1	l2	l3	d1	h1	⚖️
RHES-30.200.ST	200	M8x25	225	32	25	40	M6x6	5	808
RHES-30.300.ST	300	M8x25	325	32	25	40	M6x6	5	899
RHES-30.400.ST	400	M8x25	425	32	25	40	M6x6	5	1019
RHES-30.500.ST	500	M8x25	525	32	25	40	M6x6	5	1118
RHES-30.600.ST	600	M8x25	625	32	25	40	M6x6	5	1217

Code	f	d	p	L	C	l1	l2	⚖️
RHEU-20.R200.A	200	M8x20	16	226	26	29	53	705
RHEU-20.R250.A	250	M8x20	16	276	26	29	53	750
RHEU-20.R300.A	300	M8x20	16	326	26	29	53	795
RHEU-20.R350.A	350	M8x20	16	376	26	29	53	840
RHEU-20.R400.A	400	M8x20	16	426	26	29	53	885