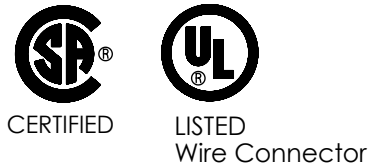
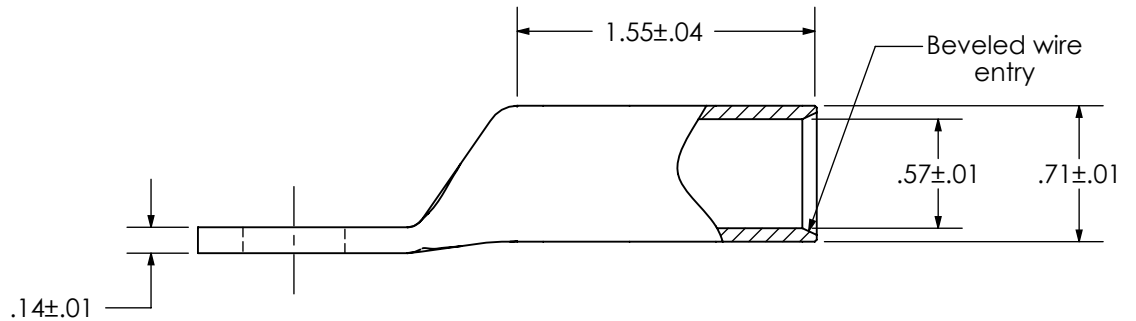
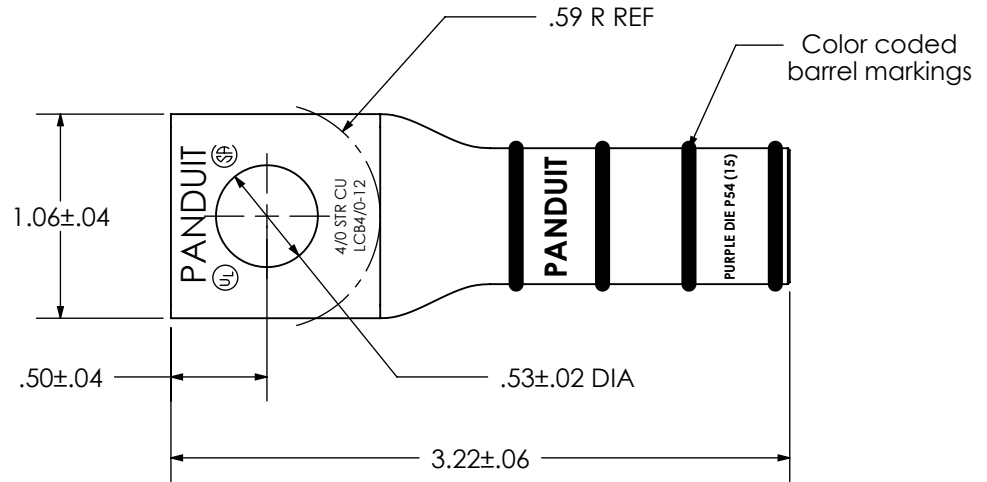


THIS COPY IS PROVIDED ON A RESTRICTED BASIS AND IS NOT TO BE USED IN ANY WAY DETRIMENTAL TO THE INTERESTS OF PANDUIT CORP.

| | |
|--|--|
| Material | High Conductivity Seamless Copper Tube |
| Plating | Electro-Tin |
| Wire Size | 4/0 AWG |
| Wire Type | Stranded Copper; Class B: Compact, Compressed or Concentric, Class C: Concentric |
| Wire Strip Length | 1-5/8 in. |
| Stud Size | 1/2 in. |
| UL Listed Wire Connector | Yes, for applications up to 35kv. Consult cable manufacturer for voltage stress relief instructions with applications greater than 2000 volts. |
| UL Temperature Rating | 90° C |
| C.S.A Certified Wire Connector | Yes |
| Panduit Color Code on Barrel | PURPLE |
| Panduit Die Index No. on Barrel | P54 |
| Alternate Industry Die Index No. () on Barrel | (15) |



| REV | DATE | BY | CHK | DESCRIPTION | ECN | -R | SUP |
|-----|------|------|------|---------------------------------|-------------------------|-----|-----|
| 01 | 5/12 | JHNU | JHNU | REMOVED NAVY NUMBER FROM TONGUE | N10882OH-LCB4/0-12-CUST | RGB | RGB |
| 00 | 7/02 | SAB | DRL | RELEASED | 10327 | SAB | DRL |

PANDUIT CORP. TINLEY PARK, ILLINOIS

LCB4/0-12-X
Copper Lug - One-Hole, Long Barrel

SCALE N/A DRAWING NO / CAD FILE LCB4_0-12-CUST