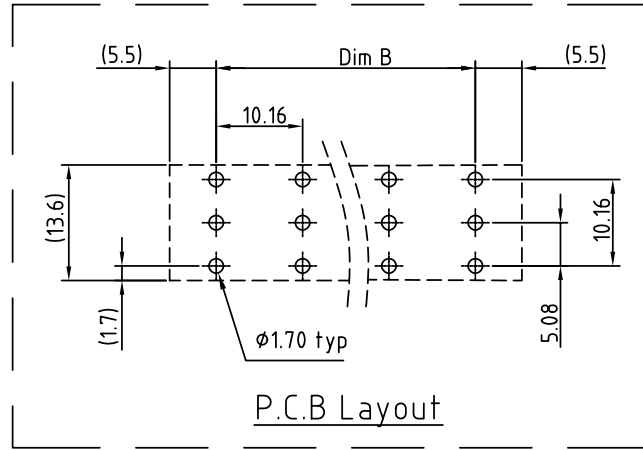
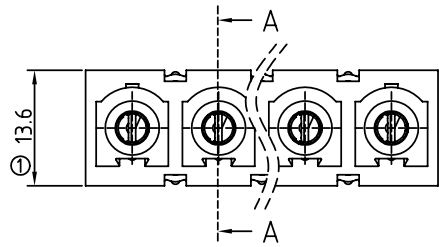


SIGN	DATE	DESCRIPTION	APPROVER
△	2010.05.29	Add cULus standard	Jacke
<i>THIS IS CAD DRAWING, DO NOT REVISE MANUALLY!!!</i>			



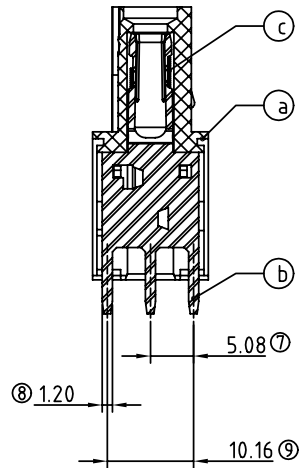
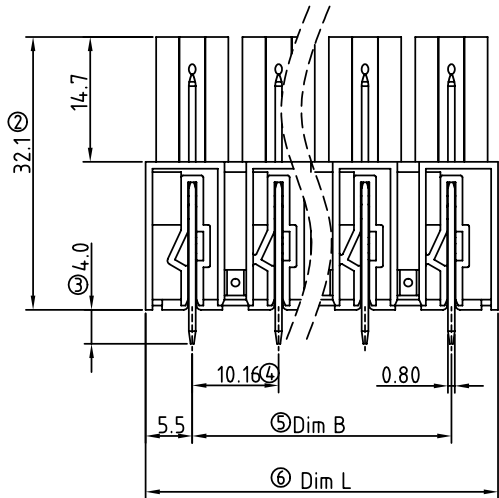
Material:

- Item a Terminal(housing):Thermoplastic (UL 94 - V0)
- Item b Contact pin: Copper Tin plated
- Item c Wire guard:Stainless Steel

Electrical: cULus / IEC

- Voltage rating:300V / 1000V
- Current rating:55A / 76A
- Withstanding Voltage:1.6 KV / 8 KV
- Operating temperature:-40°C to +115°C
- Soldering temperature:250°C±10°C/5 Sec

△ ● Safety Approval: cULus



SECTION A-A

PART NO.

KL xx 61 x 0 xxxx G

No. OF POLES
02 2 CONTACTS
03 3 CONTACTS
...
12 12 CONTACTS

Color
0 Black (RAL9005)
2 Red (RAL3001/D)
3 Orange(RAL2011/P)
4 Yellow(RAL1018/A)
5 Green(RAL6018/T)
6 Blue (RAL5015/A)
8 Grey(RAL7035/D)

G: Pb<40000ppm
0000: "@ " Logo (Standard)
000A: "ANYTEK" Mark
Any special item by customer request. please contact sales department.

Poles	02	03	04	05	06	07	08	09	10	11	12
Dim L	21.12	31.28	41.44	51.60	61.76	71.92	82.08	92.24	102.40	112.56	122.72
Dim B	10.16	20.32	30.48	40.64	50.80	60.96	71.12	81.28	91.44	101.60	111.76
TOL	±0.25					±0.35					

ANYTEK

CUSTOMER COPY

ALL RIGHTS RESERVED. REPRODUCTION OR ISSUE TO THIRD PARTIES IN ANY FORM WHATSOEVER IS NOT PERMITTED WITHOUT WRITTEN AUTHORITY FROM THE PROPRIETOR. PROPERTY OF ANYTEK TECHNOLOGY CO., LTD

TITLE		KL 10.16 Series 2p-12p Vertical			
PART NO.		KLxx61x0xxxxG		DWG NO.	8KL0003
APPROVED	CHECKED	DESIGNED	DRAWN	CUST NO.	
		Jacke	Jacke		
		2010.05.29	2010.01.07		
				UNIT: mm	X. ±0.50
				SCALE: NONE	X.X ±0.30
				SHEET: 01/01	X.XX ±0.10
				REV.: C	X° ±1°