

HV-R-SR2 RF Report

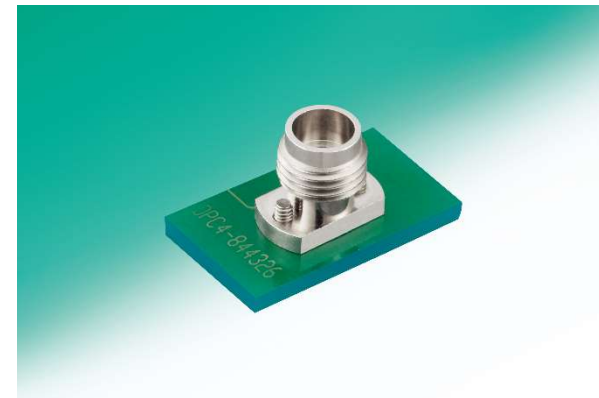
HIROSE ELECTRIC CO.,LTD.
Nov. 2019
Rev.0
RF-19066

Outline

- 1. Feature*
- 2. Simulation model*
- 3. Electrical performance*
- 4. Measurement data*

1. Feature

- Complies with IEC 61169-32 Standard
- Supports up to 65GHz frequency
- Screw mounting
 - Provides excellent high frequency performance and consistent assembly quality
 - Reusable
 - Reduces mounting complexity
- Flexible PCB thickness
- RoHS compliant



2. Simulation model

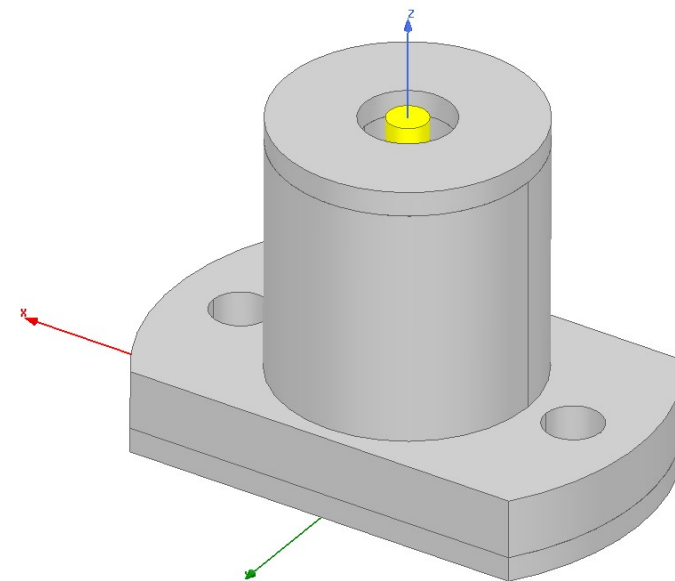
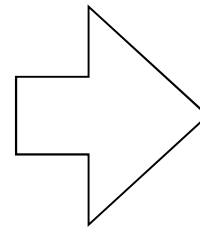
s2p file is created by HFSS.

Please see the details below:

<https://www.hirose.com/product/en/pr/mmwave/>



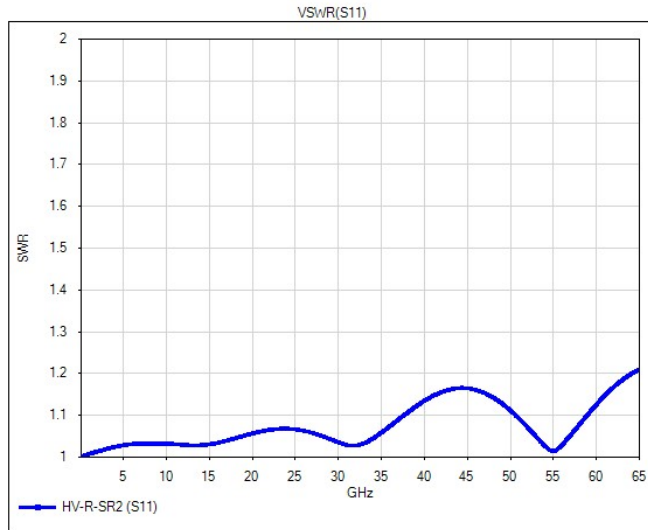
Original model



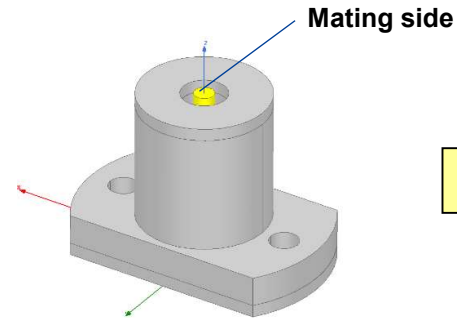
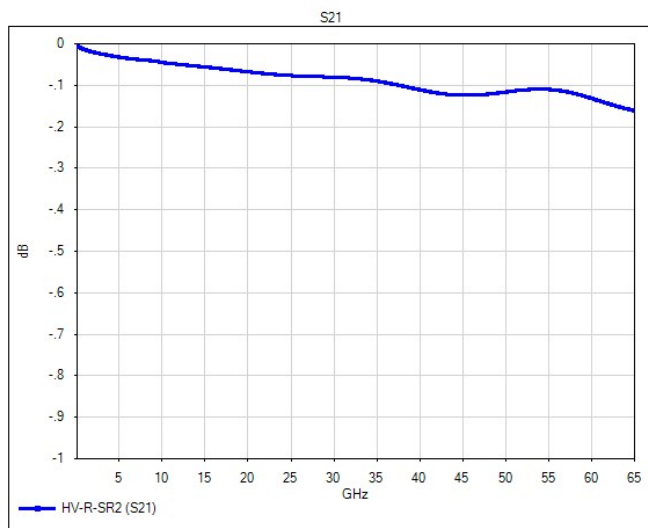
HFSS simulation model

3. Electrical performance

< VSWR >

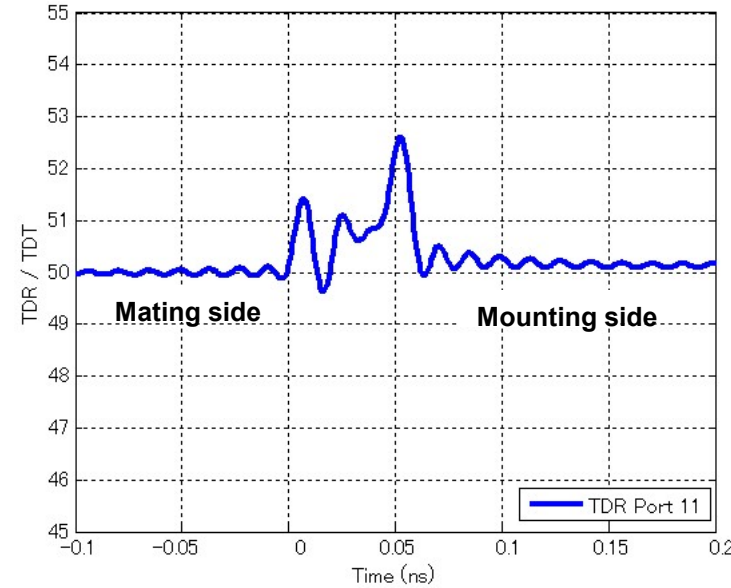


< Insertion Loss >



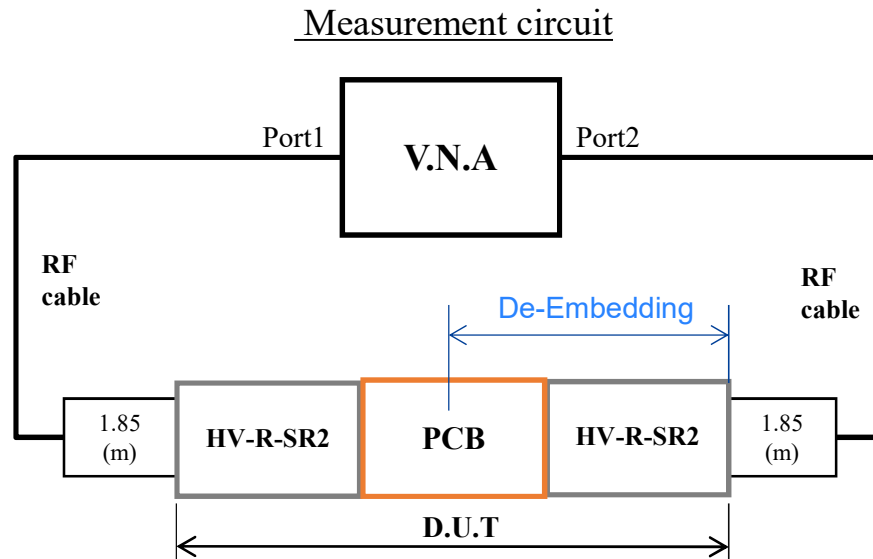
Simulation result: s2p

< TDR >



4. Measurement data

◆ Measurement setup



【Keysight PNA Network Analyzer N5227B】



PNA set up

Frequency range : 10MHz – 65GHz

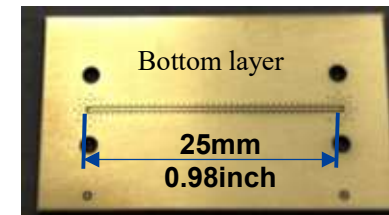
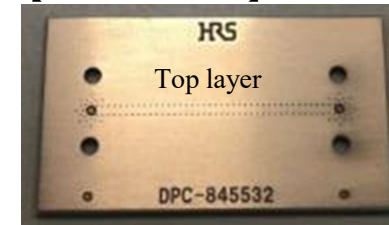
IF bandwidth : 500Hz

Number of point : 1601 points

【D.U.T.】



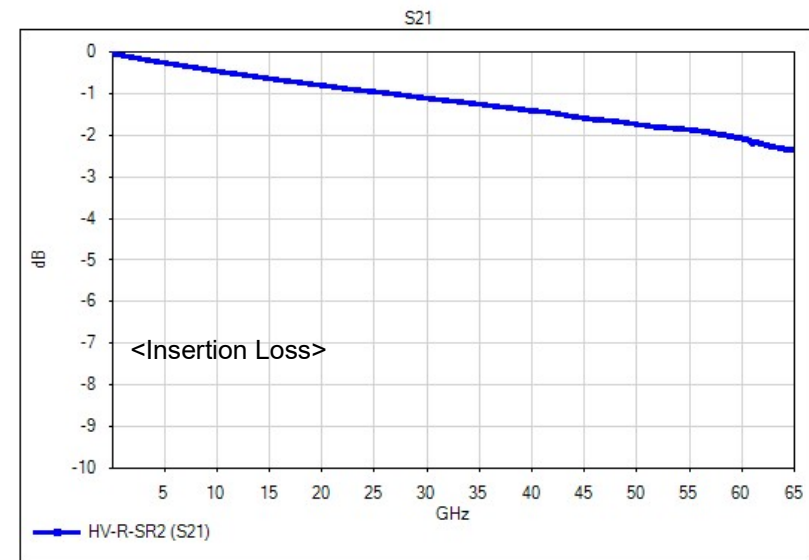
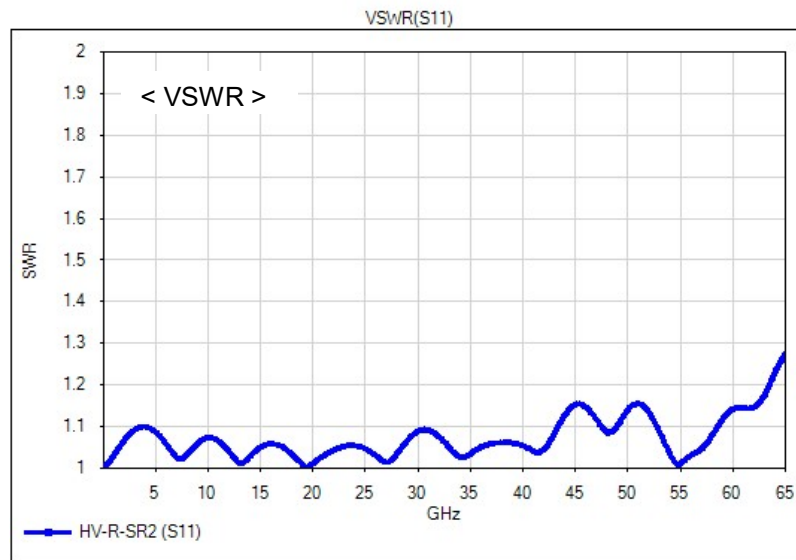
【 Evaluation PCB 】



※ Please contact us for detail PCB design.
We can provide PCB design notes and HFSS encrypted model.

Measurement results

Measurement results



The RF performance data above includes one vertical launch connector and 12.5mm length of PCB trace.

